

GARDEN BAY WINDOW

Price List

2024



RENAISSANCE
C O N S E R V A T O R I E S

Effective: January, 2024.

PRICING: 45° & 30° Garden Bay Window

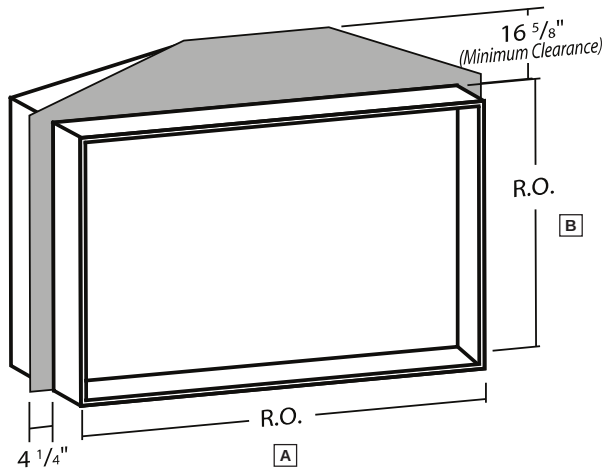
3	2	2	4	5	6	7	8	9	10	10	11	12	13	14	15
Model Number	Rectangular Sleeve Maximum R.O. (Width x Height)	Cathedral Sleeve Maximum R.O. (Width x Height)	Custom Series Direct-Set Base Price	Cathedral Mounting Sleeve	Mounting Sleeve Extension (Max. 13")	Revival Series Feature Package ⁷	Two Operating Custom Series Sash ⁸	One Fixed Custom Series Sash ⁹	Copper or Lead-Coated Copper Roof Caps & Outside Metals	Custom Color Aluminum Roof Caps & Outside Metals	Simulated Colonial or Prairie Divided Lites	2 Adjust. Wood Plant Shelves	Retracting Rolling Insect Screens ¹³	Cushion Band Window Seat	Factory Prime Paint
GB 6040	72" x 48"	72" x 58"	\$9,880	\$362	\$393	\$1,947	\$1283	\$446	\$512	\$1420	\$1467	\$407	\$1879	NA	\$626
GB 6050	72" x 60"	72" x 70"	10,457	362	421	2,119	1364	583	512	1420	1624	407	1879		626
GB 7040	84" x 48"	84" x 58"	10,332	362	419	2,194	1383	572	537	1420	1543	441	1879		626
GB 7050	84" x 60"	84" x 70"	10,573	362	465	2,433	1464	609	537	1420	1720	441	1879		626
GB 8040	96" x 48"	96" x 58"	10,345	362	460	2,484	1483	621	553	1420	1618	471	1879		632
GB 8050	96" x 60"	96" x 70"	10,586	362	512	2,660	1664	760	553	1420	1814	471	1879		662
GB 9040	108" x 48"	108" x 58"	10,852	362	504	3,489	1683	800	600	1420	1693	530	1879		735
GB 9050	108" x 60"	108" x 70"	11,433	362	556	3,779	1664	975	600	1420	1875	530	1879		735
GB 10040	120" x 48"	120" x 58"	12,275	362	545	3,916	1683	1160	736	1420	1844	636	1879		735
GB 10050	120" x 60"	120" x 70"	14,399	362	605	4,210	1664	1239	736	1420	1,985	636	1879		735

Standard Features

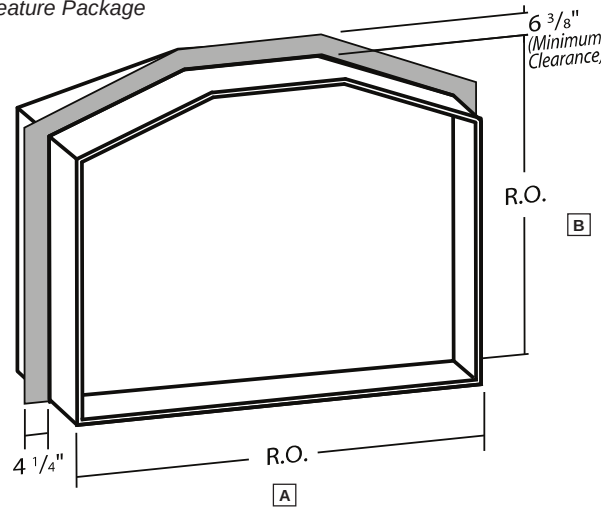
- Custom Sized to Fit Your Opening
- Factory Assembled
- Cedro (Spanish Cedar) Framing
- High Performance Low-E Insulating Glass
- Bronze or White Aluminum Roof Caps & Outside Metals
- Decorative Corbel Supports
- Sleeve Depth = 1 1/4"

Footnotes:

- ¹ Front & Roof Divided into Two (2) Bays
- ² Included in Revival Series Feature Package:
2 Operating Casement Sash, 1 Fixed Center Sash, Solid Bronze Sash Hardware, Beaded Window Molding, Built-In Insect Screen/Shade Valences.
- ³ Available Only In Custom Series
- ⁴ Available Only With Revival Series Feature Package

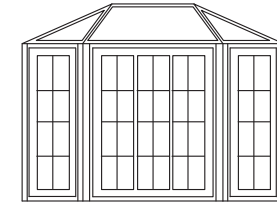


RECTANGULAR MOUNTING SLEEVE

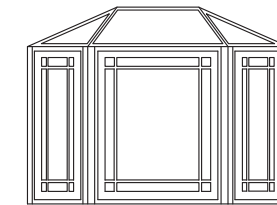


CATHEDRAL MOUNTING SLEEVE

GRID & ARCH OPTIONS SECTION



SIMULATED COLONIAL DIVIDED LITES (Inside & Outside)



SIMULATED PRAIRIE DIVIDED LITES (Inside & Outside)

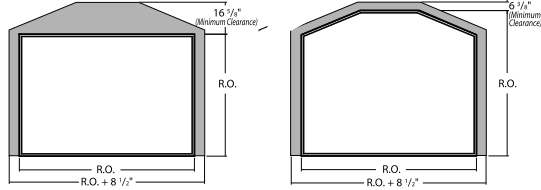
For Renaissance Use _____

GARDEN BAY WINDOW ORDER FORM

ORDERING IS AS EASY AS 1 2 3

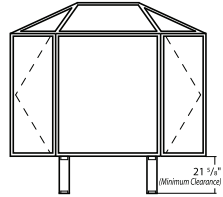
STEP 1

Circle the preferred **Mounting Sleeve** (below) and check the appropriate box 1 (right).

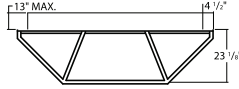


RECTANGULAR MOUNTING SLEEVE (STANDARD)

CATHEDRAL MOUNTING SLEEVE (OPTIONAL)



Viewed From Inside



Viewed From Outside

STEP 2

Measure your old window or measure your new window opening and compare your dimensions with the **Maximum Rough Opening** dimensions on the 2 Pricing Chart. Select the 3 **Model** that is larger than your window opening to determine your 4 Base Price. We will custom build your Garden Bay Window to fit your exact opening dimension.

18 FINISHES SECTION

Framing: Cedro Honduras Mahogany* Western Red Cedar*
* Call for price quotation.

Roof Caps & Outside Metals:

- Standard Bronze Aluminum Standard White Aluminum
- Optional Copper Optional Lead-Coated Copper
- Optional Custom Color Aluminum _____

Standard Custom Series Sash Hardware: Bronze White Beige

Optional Revival Series Solid Bronze Sash Hardware:

- White Bronze Light Silicone Bronze Dark Silicone Bronze Light

Optional Revival Series Retracting Insect Screen Frame Color:

- Classic White Rideau Brown Slivered Almond

Shelf Hardware:

- White Bronze Beige

* Included in Revival Series Feature Package: 2 Operating Casement Sash, 1 Fixed Center Sash, Solid Bronze Sash Hardware, Beaded Window Mouldings, Built-In Insect Screen/Shade Valances.

Garden Bay Window Help Line: 1-800-882-4657 (Mon. - Fri. 9-5 Eastern Time)

The Buyer

Ship To

Company _____ Company _____
Name _____ Name _____
Address _____ Address _____
City _____ State _____ ZIP _____ City _____ State _____ ZIP _____
Phone _____ - _____ - _____ Fax _____ - _____ - _____ D. Phone _____ - _____ - _____ E. Phone _____ - _____ - _____

Will this Garden Window be installed at an elevation exceeding 5,000 feet above sea level? Yes No

- 1 Mounting Sleeve Style: Rectangular Cathedral
- 2 Size: (See Details on Reverse Page)
 - A Rough Opening Width _____ B Rough Opening Height _____
 - C Total Wall Thickness _____
 - D Available Height Above Rough Opening _____ E Below Rough Opening _____
- 3 Model: _____ 4 Custom Series Direct Set Base Price \$ _____
- 5 Add for Cathedral Mounting Sleeve \$ _____
- 6 Add for Mounting Sleeve Extension Total Wall Thickness _____ \$ _____
- 7 Add for Revival Series Feature Package* \$ _____
- 8 Add for 2 Operating Custom Series Sash (Standard with Revival Series Feature Package) \$ _____
- 9 Add for 1 Fixed Custom Series Center Sash (Standard with Revival Series Feature Package) \$ _____
- 10 Add for Copper Roof Caps & Outside Metals Lead-Coated Copper Roof Caps & Outside Metals
 Custom Color Aluminum Roof Caps & Outside Metals \$ _____
- 11 Add for Simulated Colonial Divided Lites Simulated Prairie Divided Lites \$ _____
- 12 Add for 2 Adjustable Wood Plant Shelves \$ _____
- 13 Add for Retracting Rolling Insect Screens (Available Only with Revival Series) \$ _____
- 14 Add for Cushion Band Window Seat \$ _____
- 15 Add for Factory Prime Paint Inside Only Outside Only Both Inside and Outside \$ _____
- 16 Add for Honduras Mahogany Western Red Cedar (Call for price quotation) \$ _____
- 17 Add for _____ \$ _____

Sub-Total \$ _____

Sub-Total \$ _____

Terms: 50% Deposit, Balance due prior to shipment. Prices are F.O.B. Leola, Pennsylvania. Shipping will be freight collect. Prices subject to change without notice. Your Garden Bay Window will be made to-order and will take approximately 8-12 weeks.

PA and MD Residents add 6%, NJ Residents add 7% Sales Tax Tax No. on File

Total Order \$ _____

50% Deposit (\$ _____)

Balance \$ _____

Signature _____ Date _____

Method of Payment: Check/Money Order

_____|_____|_____|_____|_____|_____|_____|_____|_____|_____|_____|_____|_____|_____|_____|_____|

Credit Card Account Number

Expiration Date

Mail To: **RENAISSANCE CONSERVATORIES**
132 Ashmore Drive, Leola, PA 17540
Fax To: 717-661-7727

Your Garden Bay Window will arrive assembled and crated, and may weigh several hundred pounds. You will need to provide the necessary manpower to remove it from the truck and transport it to your site.