

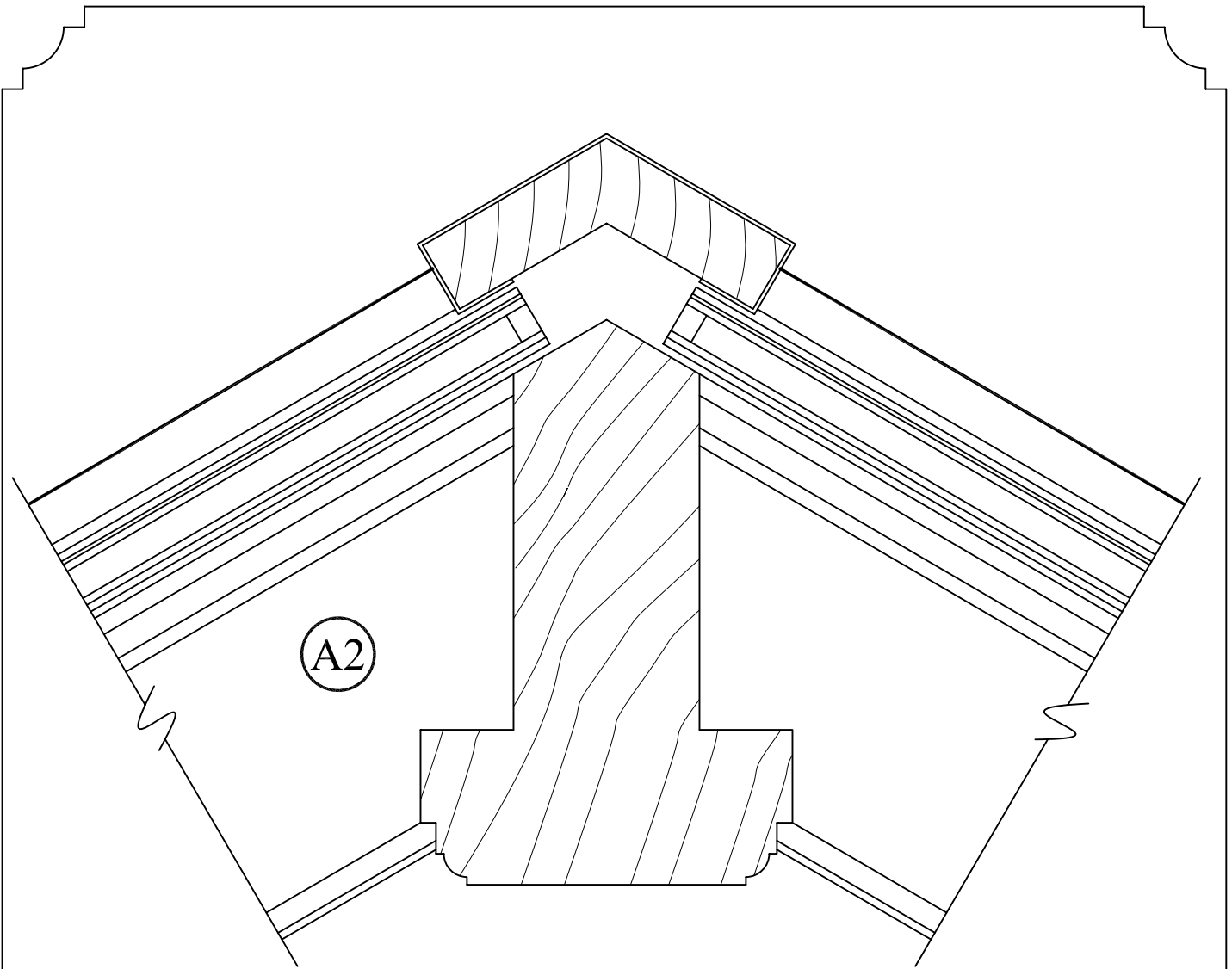
A1

ROOF LEDGER AT WALL



132 Ashmore Drive
 Leola, Pennsylvania 17540
 (717) 661-7520 Fax (717) 661-7727

Scale: 3/8" = 1"	File Name:
Revision Date: 1-1-08	A1



A2

RIDGE



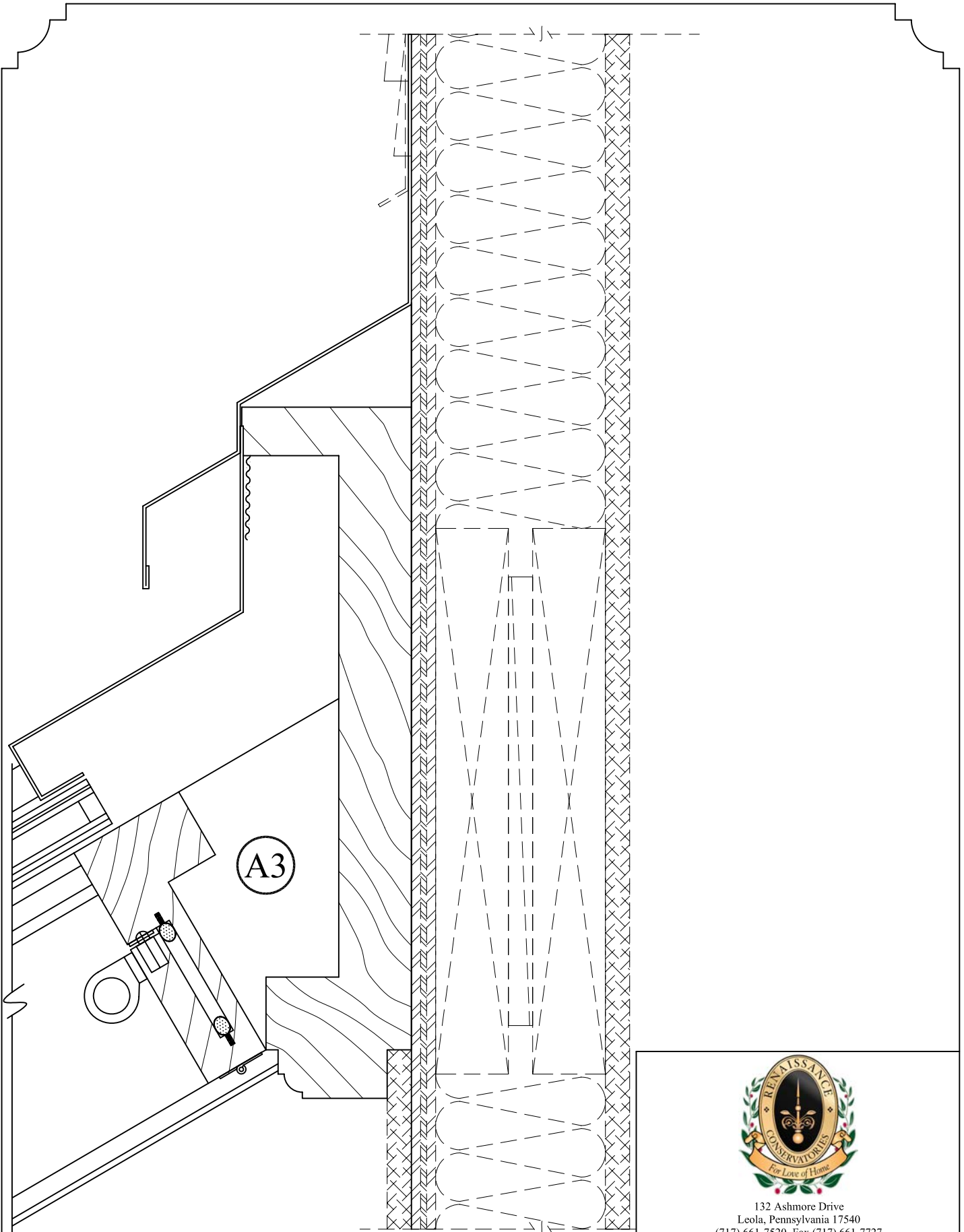
132 Ashmore Drive
Leola, Pennsylvania 17540
(717) 661-7520 Fax (717) 661-7727

Scale: 3/8" = 1"

Revision Date: 1-1-08

File Name:

A2



A3



132 Ashmore Drive
 Leola, Pennsylvania 17540
 (717) 661-7520 Fax (717) 661-7727

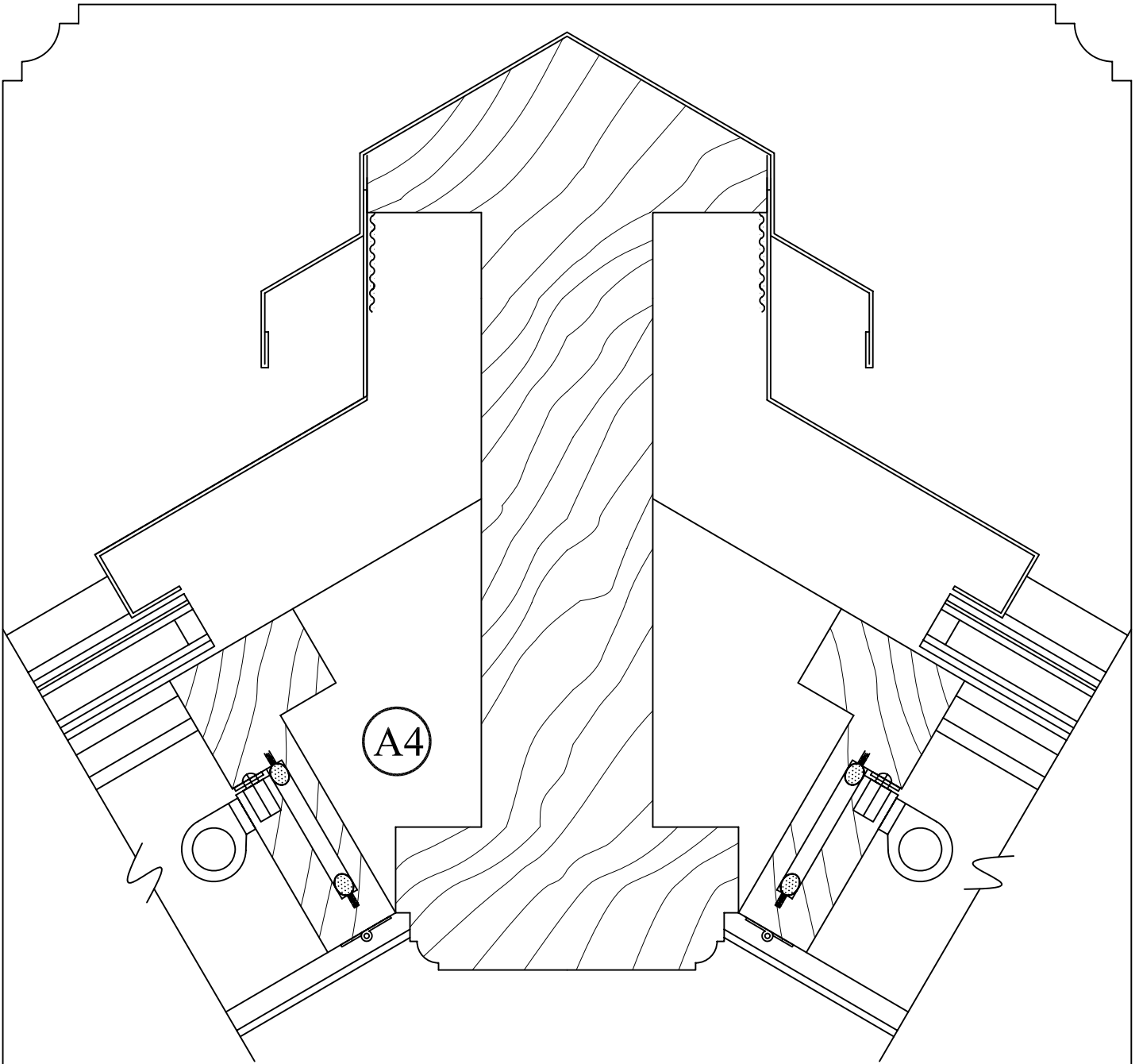
ROOF LEDGER W/ VENT AT WALL

Scale: 3/8" = 1"

Revision Date: 1-1-08

File Name:

A3



RIDGE W/ VENT



132 Ashmore Drive
Leola, Pennsylvania 17540
(717) 661-7520 Fax (717) 661-7727

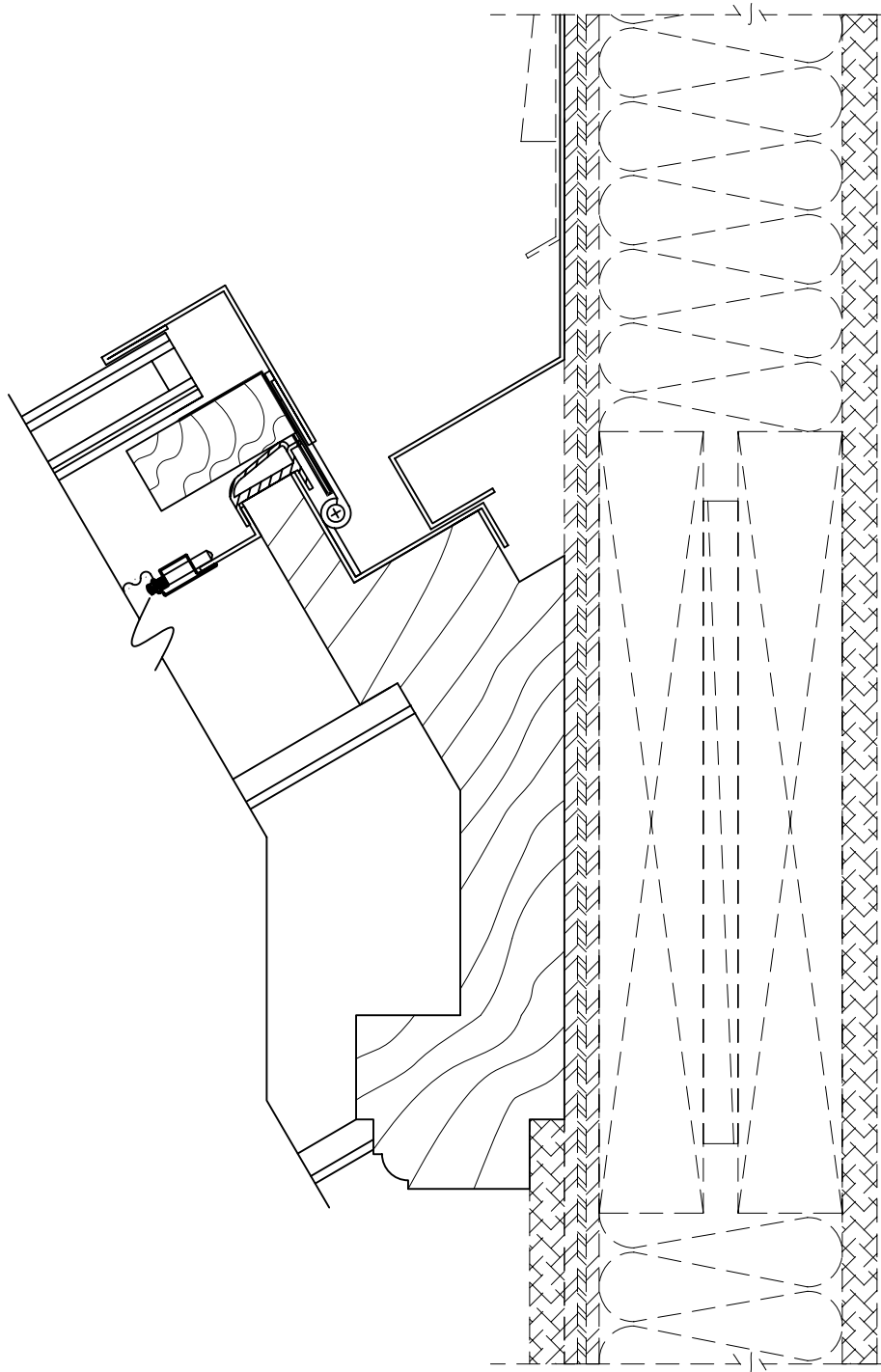
Scale: 3/8" = 1"

Revision Date: 1-1-08

File Name:

A4

A5



ROOF LEDGER AT WALL W/ SKYLIGHT



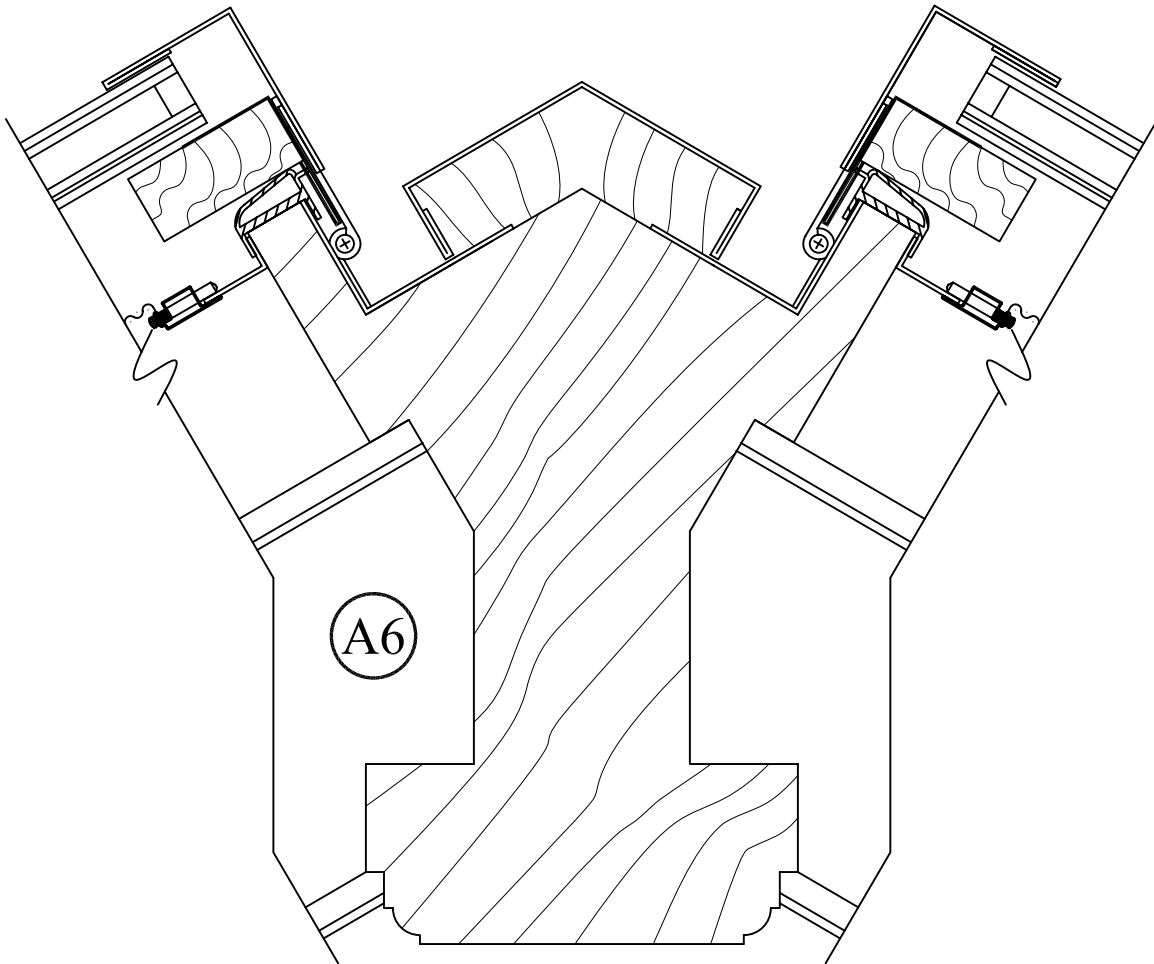
132 Ashmore Drive
Leola, Pennsylvania 17540
(717) 661-7520 Fax (717) 661-7727

Scale: 3/8" = 1"

File Name:

Revision Date: 1-1-08

A5



RIDGE W/ SKYLIGHT



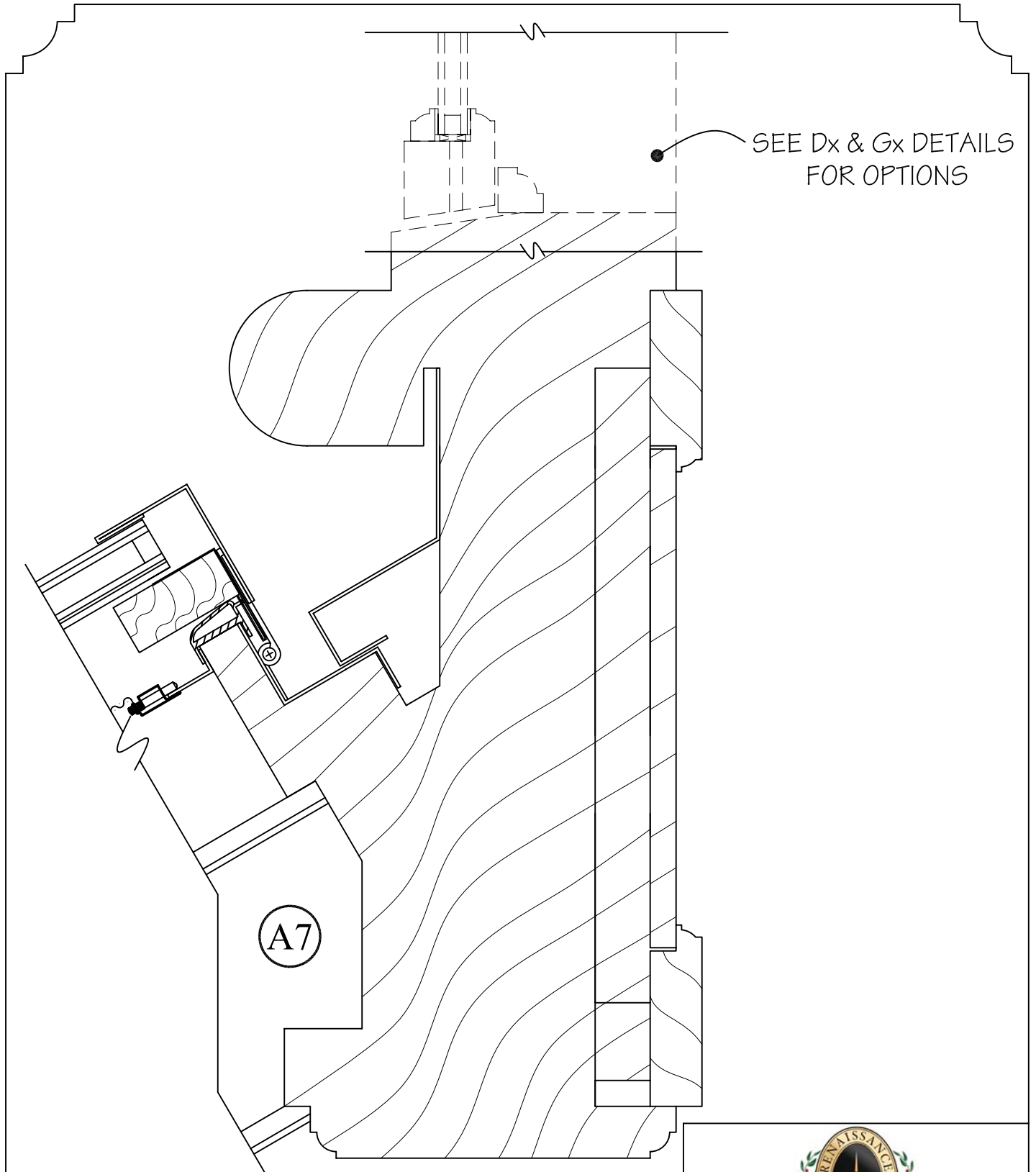
132 Ashmore Drive
Leola, Pennsylvania 17540
(717) 661-7520 Fax (717) 661-7727

Scale: 3/8" = 1"

File Name:

Revision Date: 1-1-08

A6



SEE Dx & Gx DETAILS FOR OPTIONS

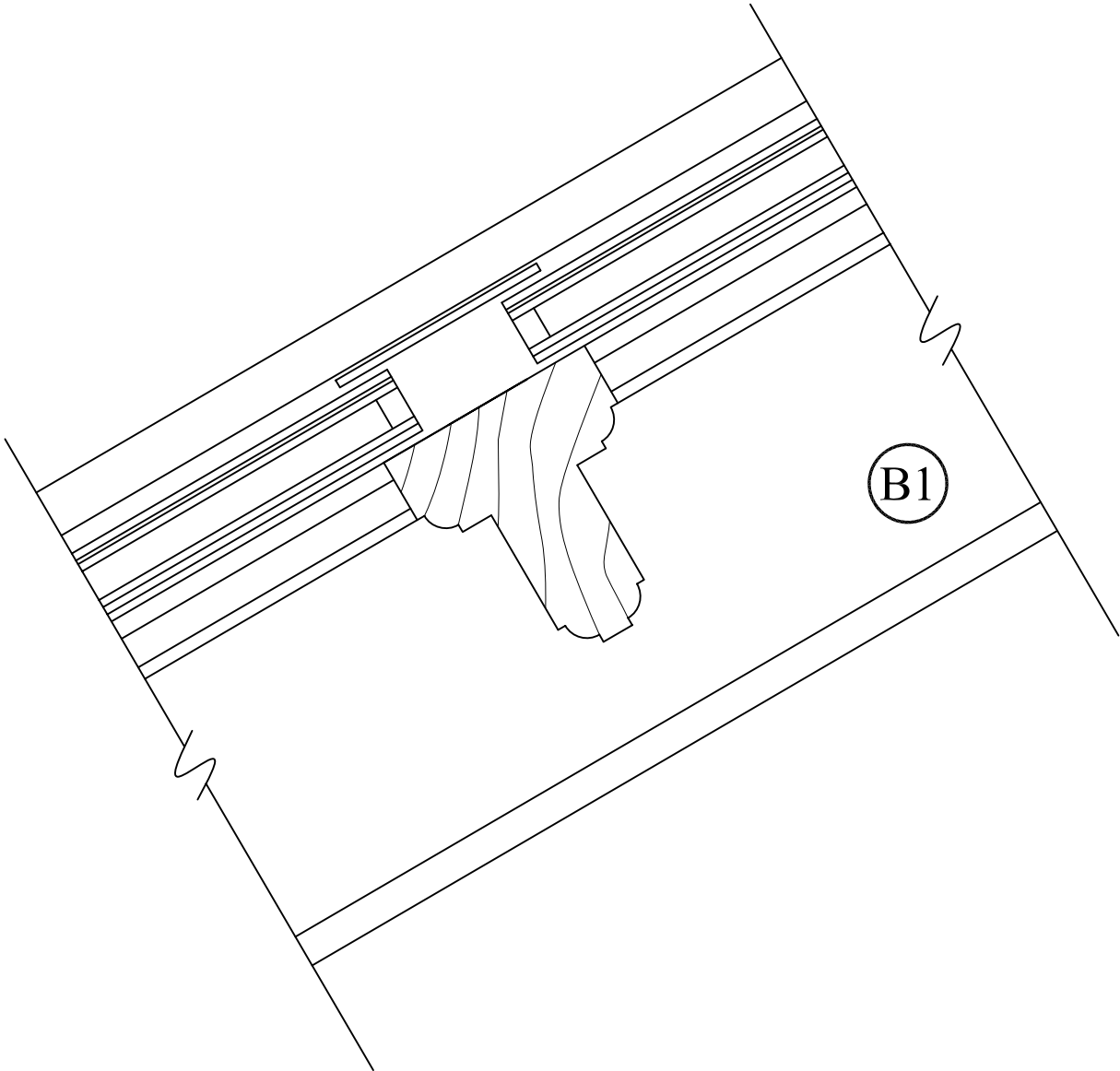
A7

ROOF LEDGER INTO LANTERN



132 Ashmore Drive
 Leola, Pennsylvania 17540
 (717) 661-7520 Fax (717) 661-7727

Scale: 3/8" = 1"	File Name:
Revision Date: 1-1-08	A7



PURLIN



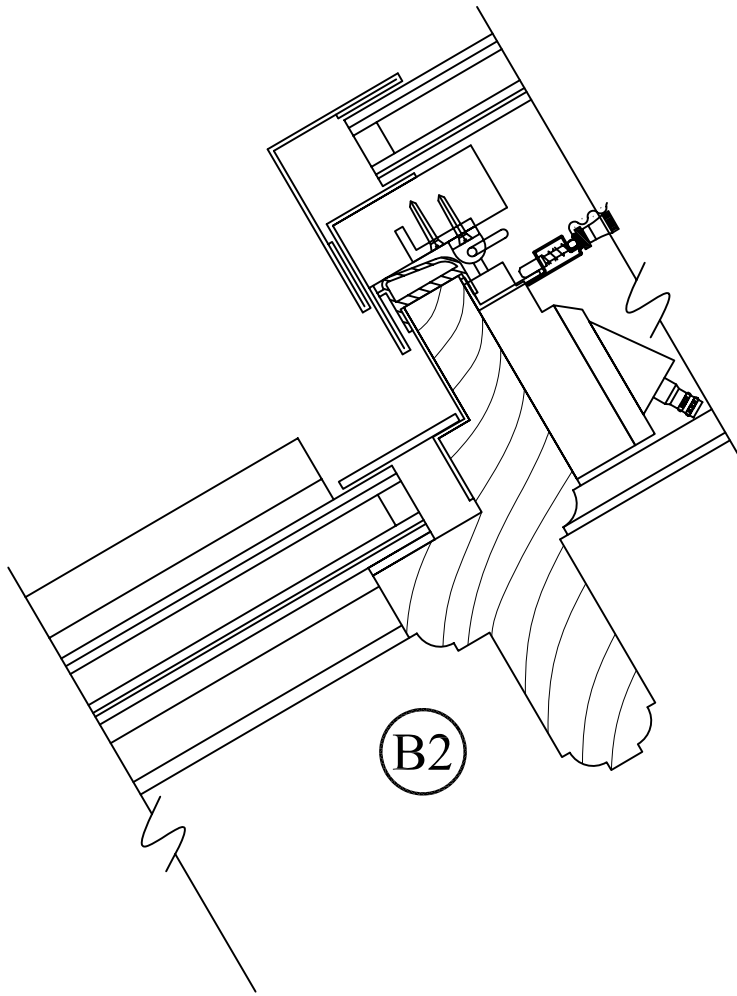
132 Ashmore Drive
Leola, Pennsylvania 17540
(717) 661-7520 Fax (717) 661-7727

Scale: 3/8" = 1"

Revision Date: 1-1-08

File Name:

B1



PURLIN W/ SKYLIGHT



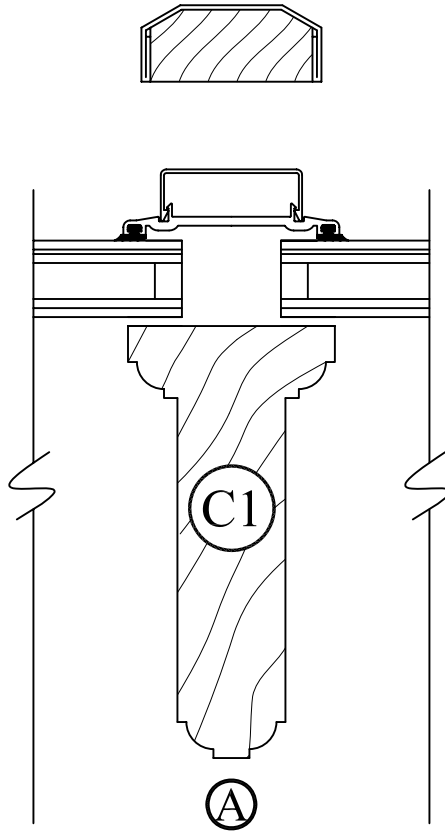
132 Ashmore Drive
Leola, Pennsylvania 17540
(717) 661-7520 Fax (717) 661-7727

Scale: 3/8" = 1"

File Name:

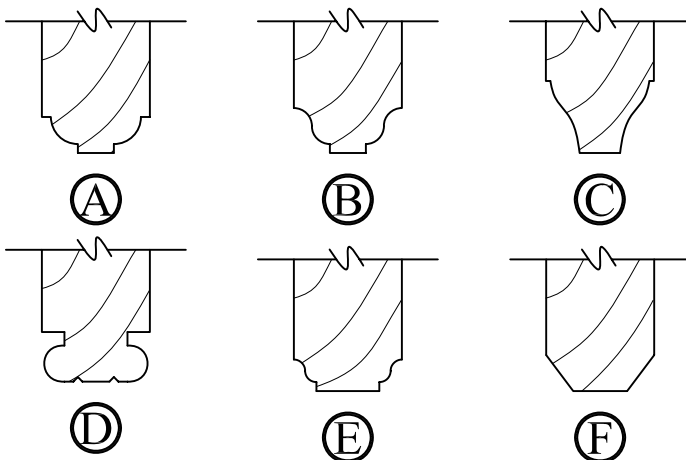
Revision Date: 1-1-08

B2



COMMON RAFTER

ALTERNATE RAFTER BOTTOM EDGE DETAILS



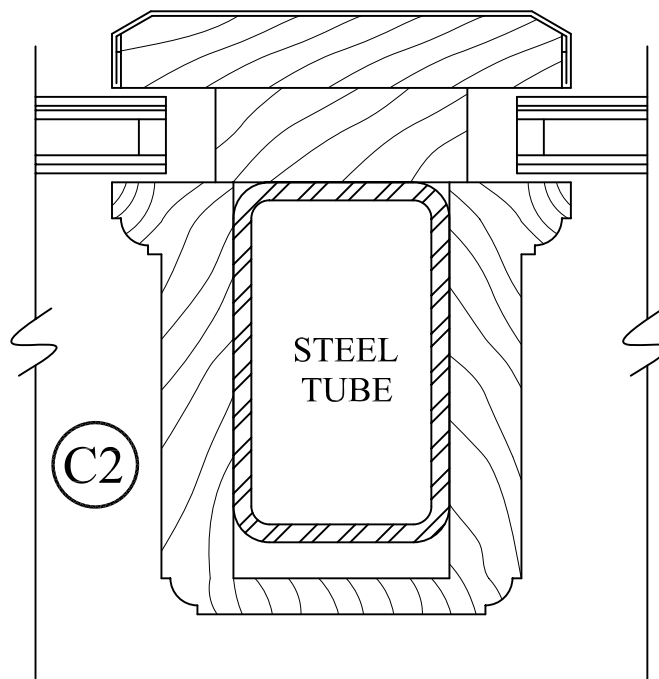
132 Ashmore Drive
 Leola, Pennsylvania 17540
 (717) 661-7520 Fax (717) 661-7727

Scale: 3/8" = 1"

Revision Date: 1-1-08

File Name:

C1



COMMON RAFTER W/ STEEL TUBE



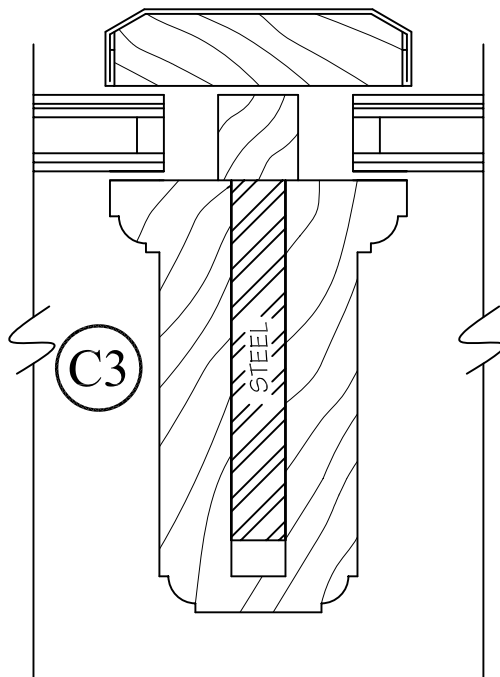
132 Ashmore Drive
Leola, Pennsylvania 17540
(717) 661-7520 Fax (717) 661-7727

Scale: 3/8" = 1"

Revision Date: 1-1-08

File Name:

C2



COMMON RAFTER W/ FLITCH



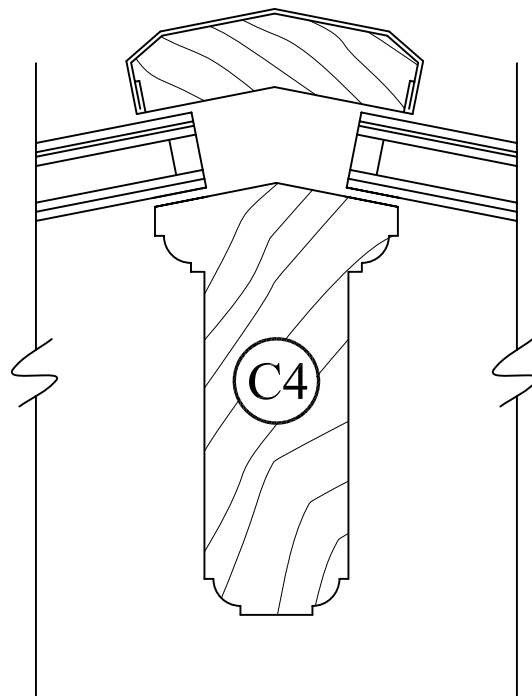
132 Ashmore Drive
Leola, Pennsylvania 17540
(717) 661-7520 Fax (717) 661-7727

Scale: 3/8" = 1"

Revision Date: 1-1-08

File Name:

C3



HIP RAFTER



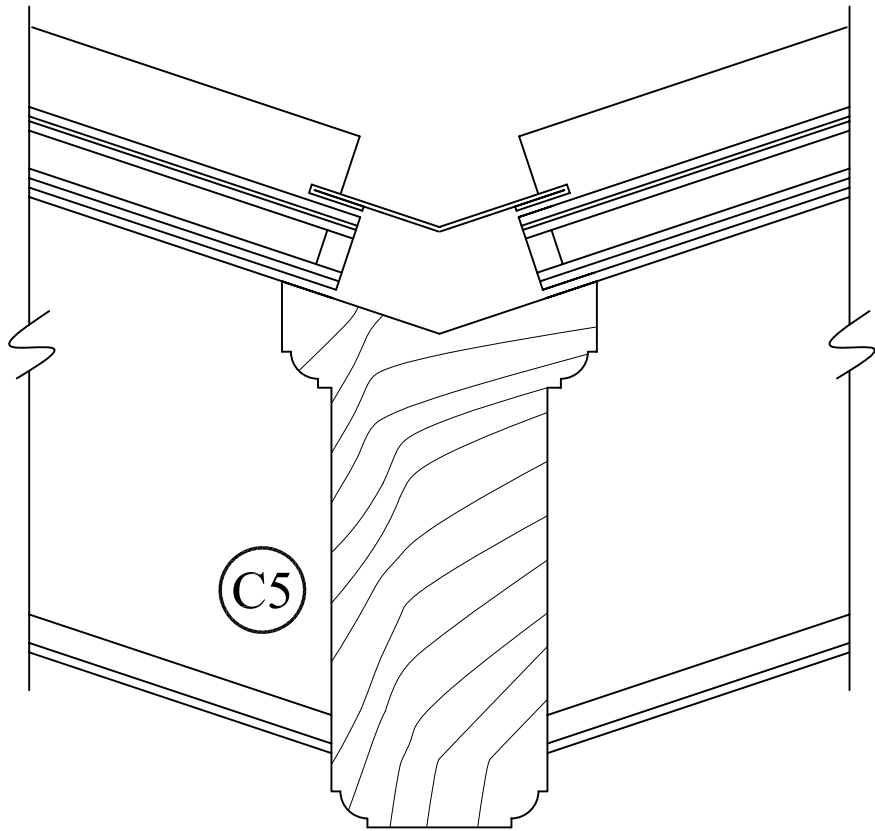
132 Ashmore Drive
Leola, Pennsylvania 17540
(717) 661-7520 Fax (717) 661-7727

Scale: 3/8" = 1"

Revision Date: 1-1-08

File Name:

C4



VALLEY RAFTER



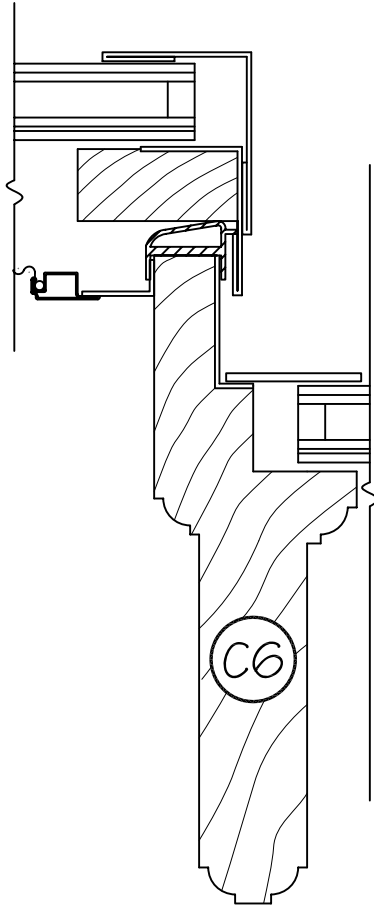
132 Ashmore Drive
Leola, Pennsylvania 17540
(717) 661-7520 Fax (717) 661-7727

Scale: 3/8" = 1"

Revision Date: 1-1-08

File Name:

C5



COMMON RAFTER W/ SKYLIGHT



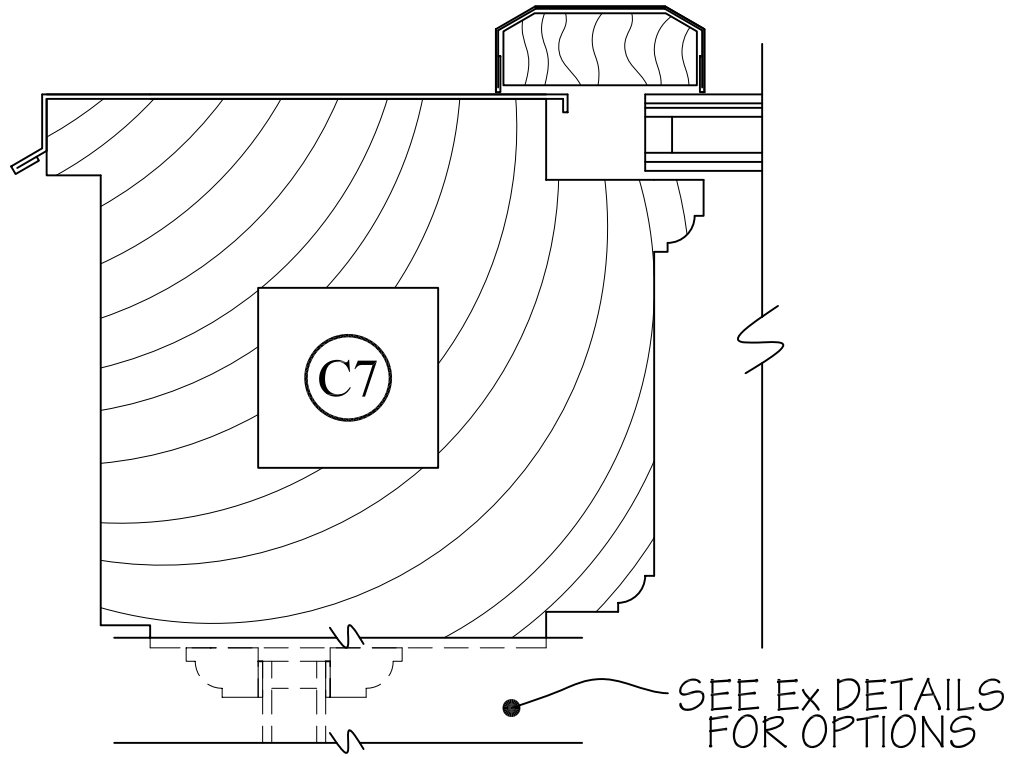
132 Ashmore Drive
Leola, Pennsylvania 17540
(717) 661-7520 Fax (717) 661-7727

Scale: 3/8" = 1"

Revision Date: 1-1-08

File Name:

C6



RAFTER @ GLAZED GABLE



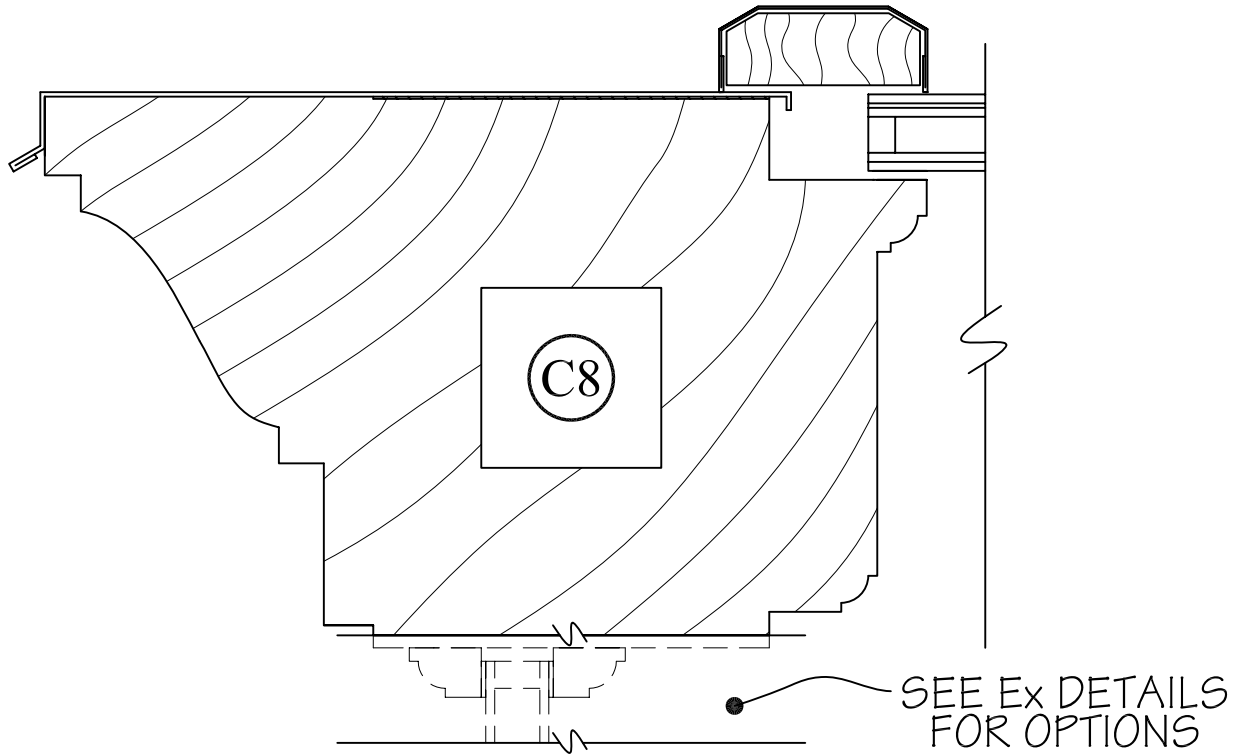
132 Ashmore Drive
 Leola, Pennsylvania 17540
 (717) 661-7520 Fax (717) 661-7727

Scale: 3/8" = 1"

File Name:

Revision Date: 1-1-08

C7



RAFTER @ BUILT-OUT GABLE



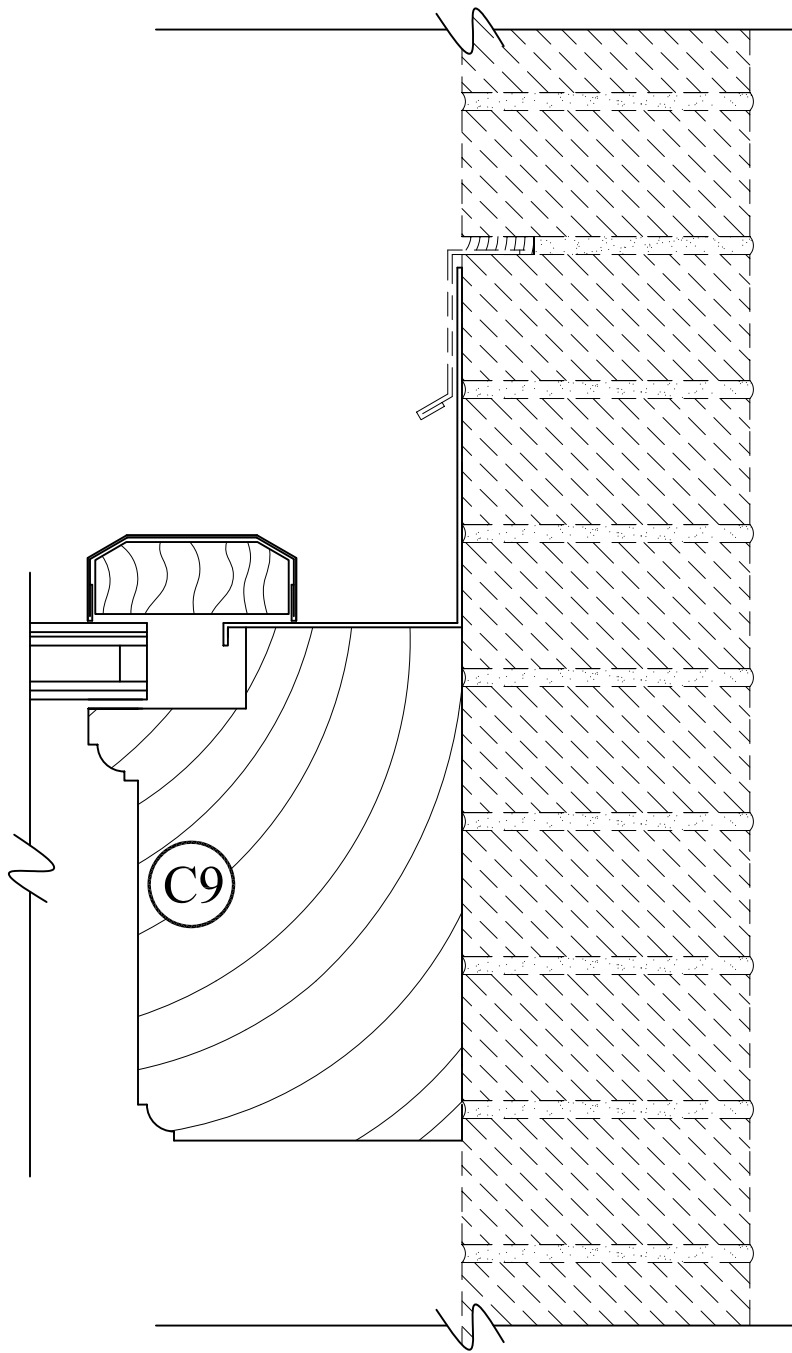
132 Ashmore Drive
 Leola, Pennsylvania 17540
 (717) 661-7520 Fax (717) 661-7727

Scale: 3/8" = 1"

Revision Date: 1-1-08

File Name:

C8



RAFTER @ HOUSE WALL



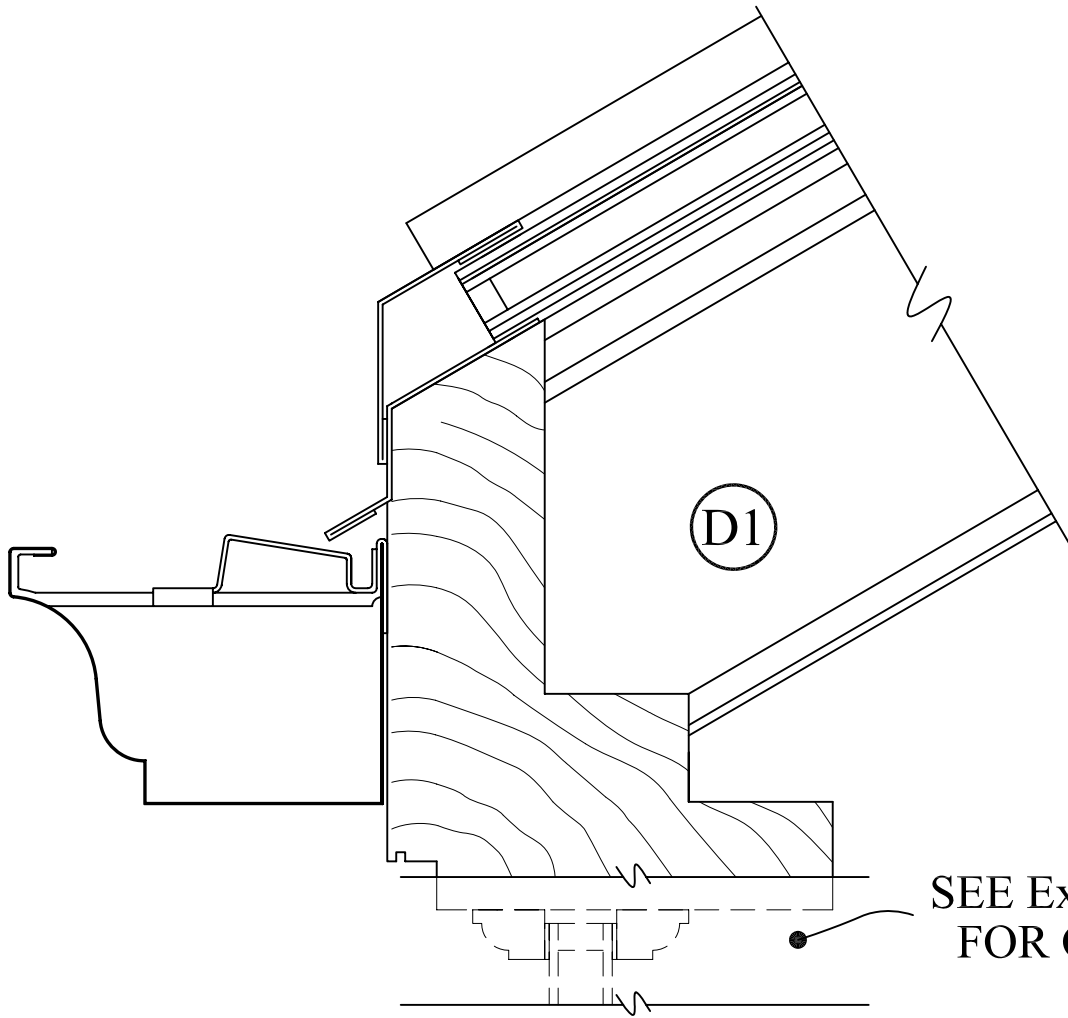
132 Ashmore Drive
 Leola, Pennsylvania 17540
 (717) 661-7520 Fax (717) 661-7727

Scale: 3/8" = 1"

Revision Date: 1-1-08

File Name:

C9



SEE EX DETAILS
FOR OPTIONS

SIMPLE EAVES



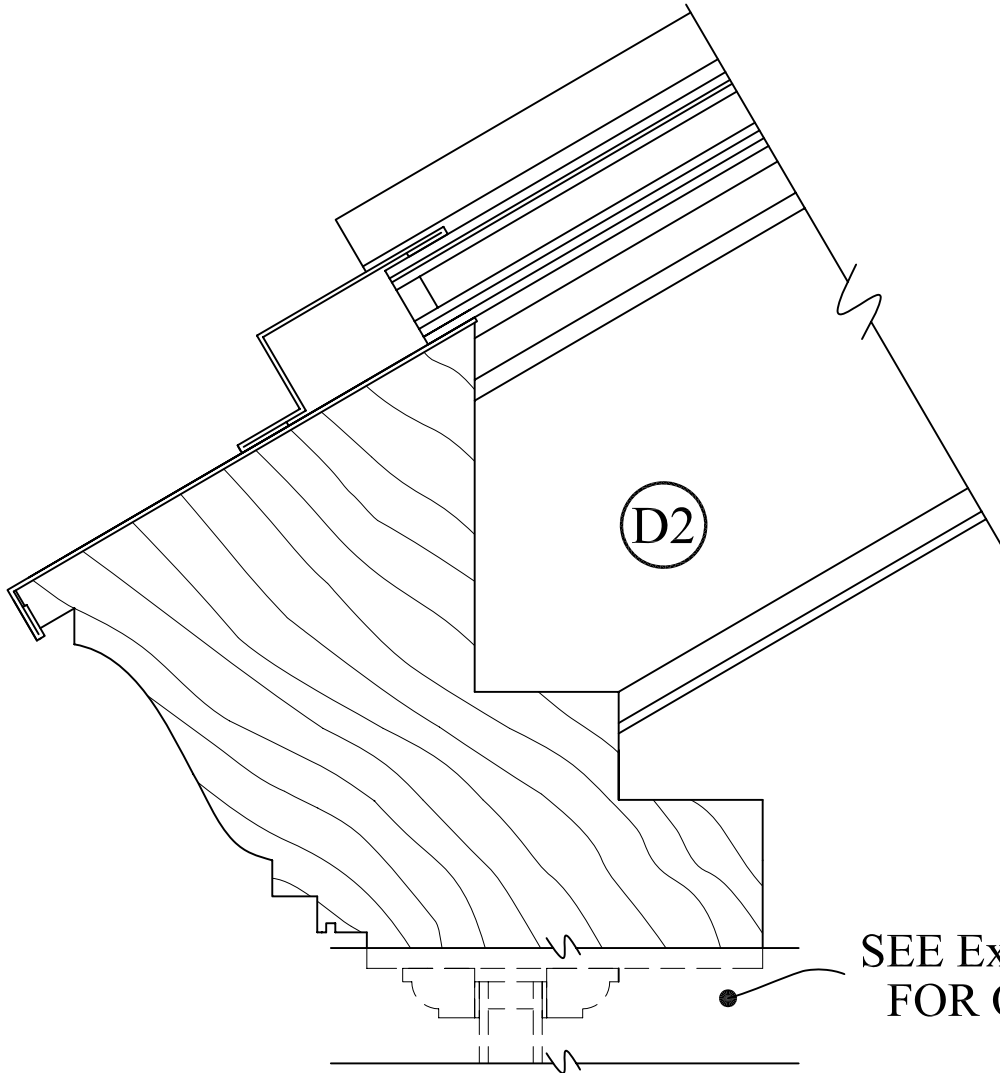
132 Ashmore Drive
Leola, Pennsylvania 17540
(717) 661-7520 Fax (717) 661-7727

Scale: 3/8" = 1"

Revision Date: 11-08

File Name:

D1



SEE EX DETAILS
FOR OPTIONS

SIMPLE CROWN EAVES



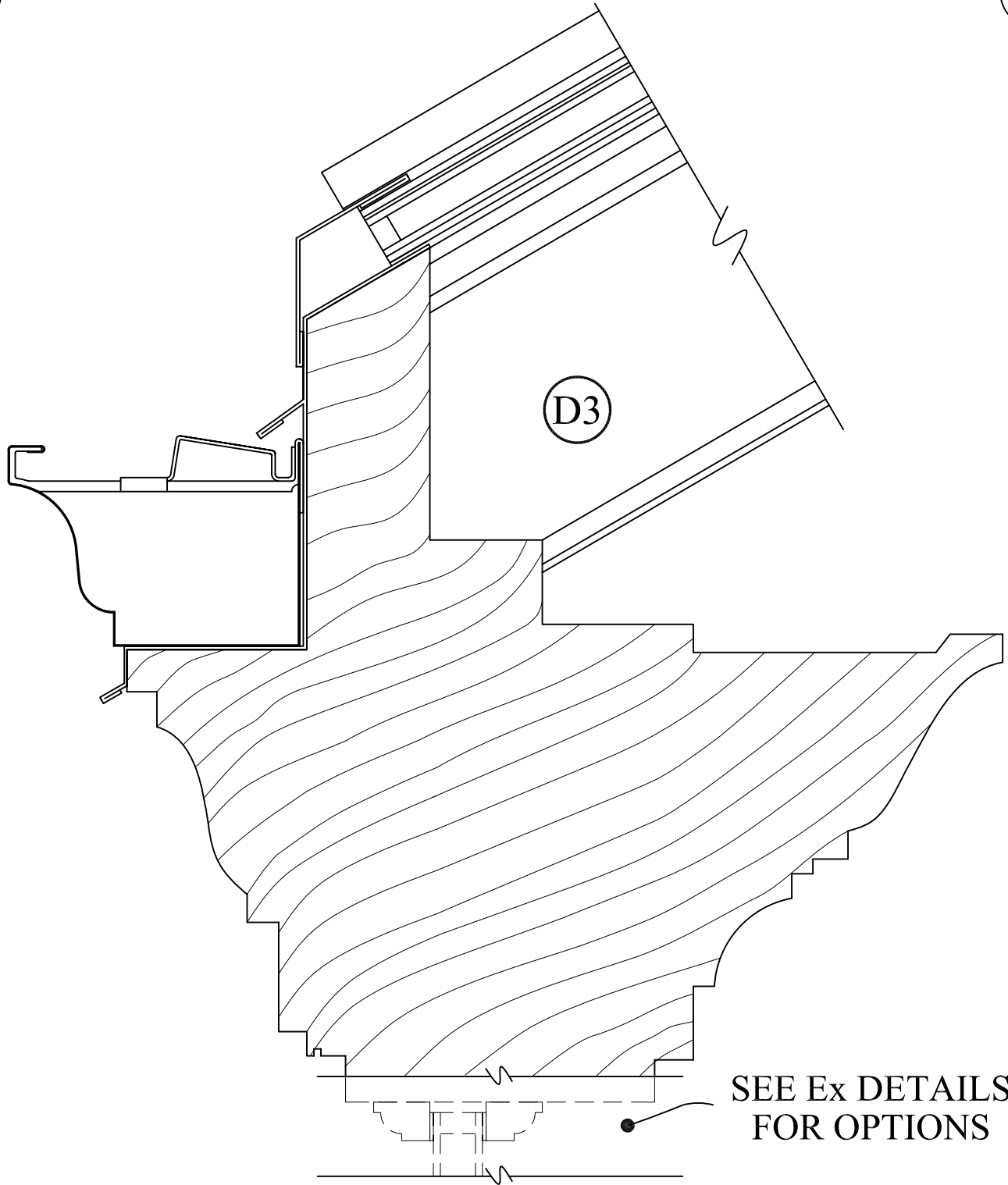
132 Ashmore Drive
Leola, Pennsylvania 17540
(717) 661-7520 Fax (717) 661-7727

Scale: 3/8" = 1"

Revision Date: 1-1-08

File Name:

D2



SEE Ex DETAILS
FOR OPTIONS

EXTERIOR / INTERIOR CORNICE EAVES



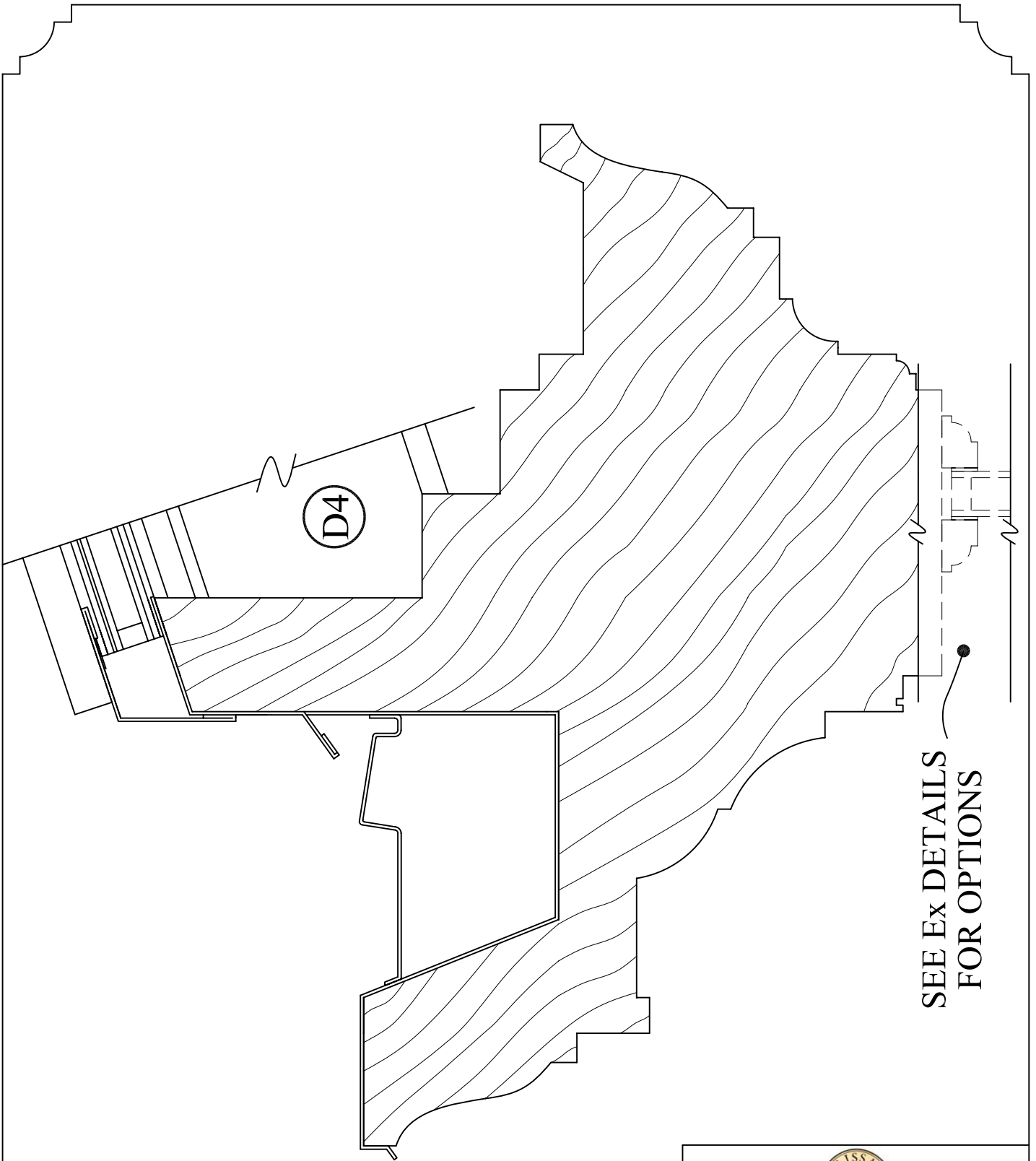
132 Ashmore Drive
Leola, Pennsylvania 17540
(717) 661-7520 Fax (717) 661-7727

Scale: 3/8" = 1"

Revision Date: 1-1-08

File Name:

D3



SEE EX DETAILS
FOR OPTIONS

LINED WOOD GUTTER EAVES



132 Ashmore Drive
Leola, Pennsylvania 17540
(717) 661-7520 Fax (717) 661-7727

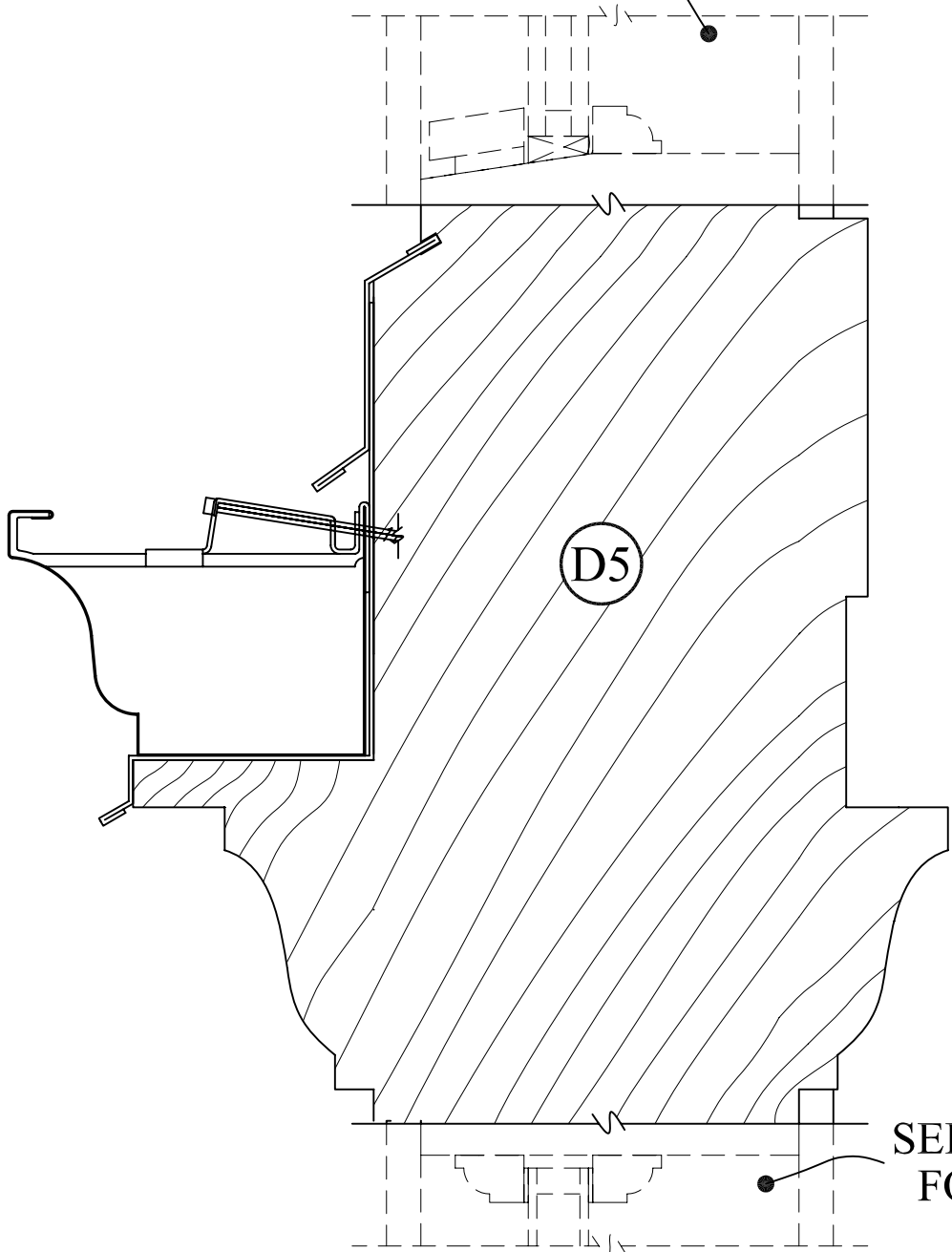
Scale: 3/8" = 1"

File Name:

Revision Date: 1-1-08

D4

SEE Gx DETAILS
FOR OPTIONS



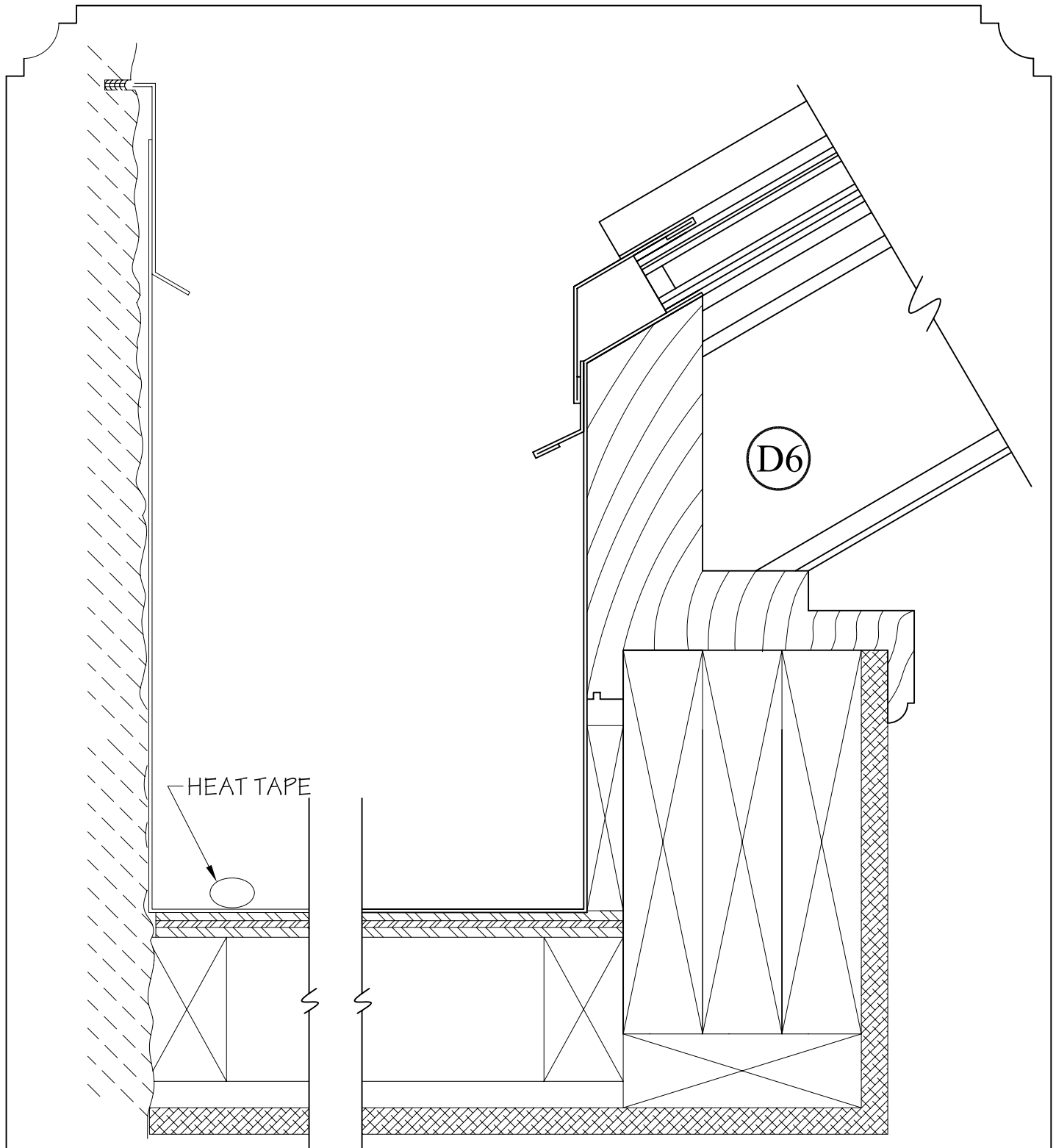
SEE Ex DETAILS
FOR OPTIONS

GABLE END CORNICE



132 Ashmore Drive
Leola, Pennsylvania 17540
(717) 661-7520 Fax (717) 661-7727

Scale: 3/8" = 1"	File Name: D5
Revision Date: 1-1-08	



BOX GUTTER at HOUSE WALL



132 Ashmore Drive
 Leola, Pennsylvania 17540
 (717) 661-7520 Fax (717) 661-7727

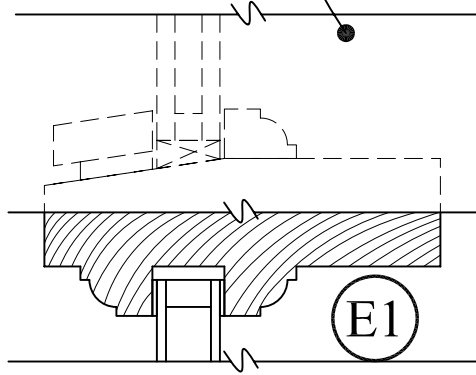
Scale: 3/8" = 1"

File Name:

Revision Date: 1-1-08

D6

SEE Dx & Gx DETAILS
FOR OPTIONS



DIRECT SET HEAD



132 Ashmore Drive
Leola, Pennsylvania 17540
(717) 661-7520 Fax (717) 661-7727

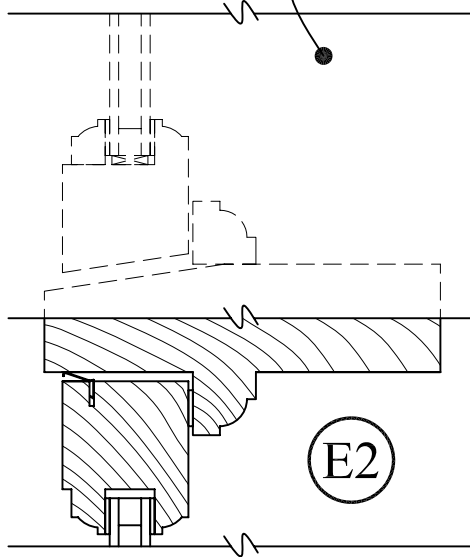
Scale: 3/8" = 1"

Revision Date: 1-1-08

File Name:

E1

SEE Dx & Gx DETAILS
FOR OPTIONS



FIXED SASH HEAD



132 Ashmore Drive
Leola, Pennsylvania 17540
(717) 661-7520 Fax (717) 661-7727

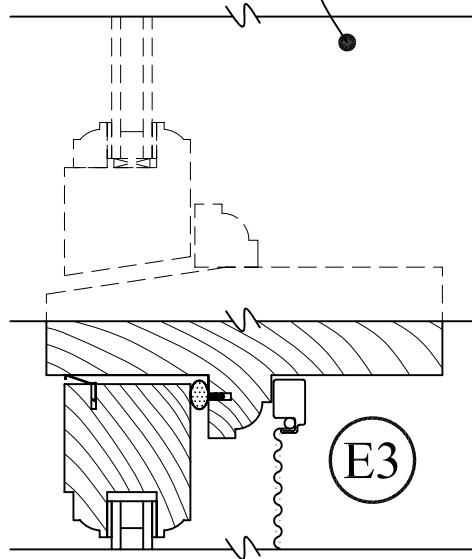
Scale: 3/8" = 1"

Revision Date: 1-1-08

File Name:

E2

SEE Dx & Gx DETAILS
FOR OPTIONS



AWNING HEAD



132 Ashmore Drive
Leola, Pennsylvania 17540
(717) 661-7520 Fax (717) 661-7727

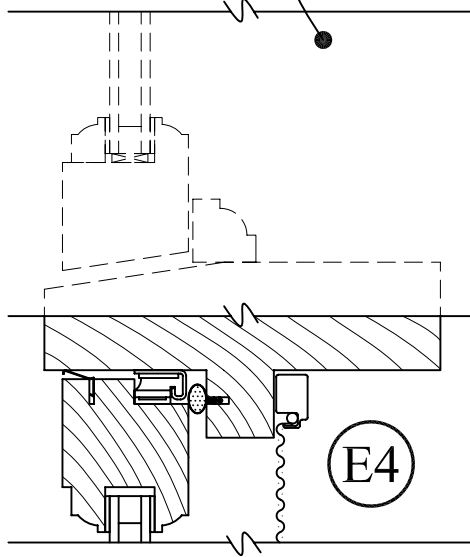
Scale: 3/8" = 1"

File Name:

Revision Date: 1-1-08

E3

SEE Dx & Gx DETAILS
FOR OPTIONS



CASEMENT HEAD



132 Ashmore Drive
Leola, Pennsylvania 17540
(717) 661-7520 Fax (717) 661-7727

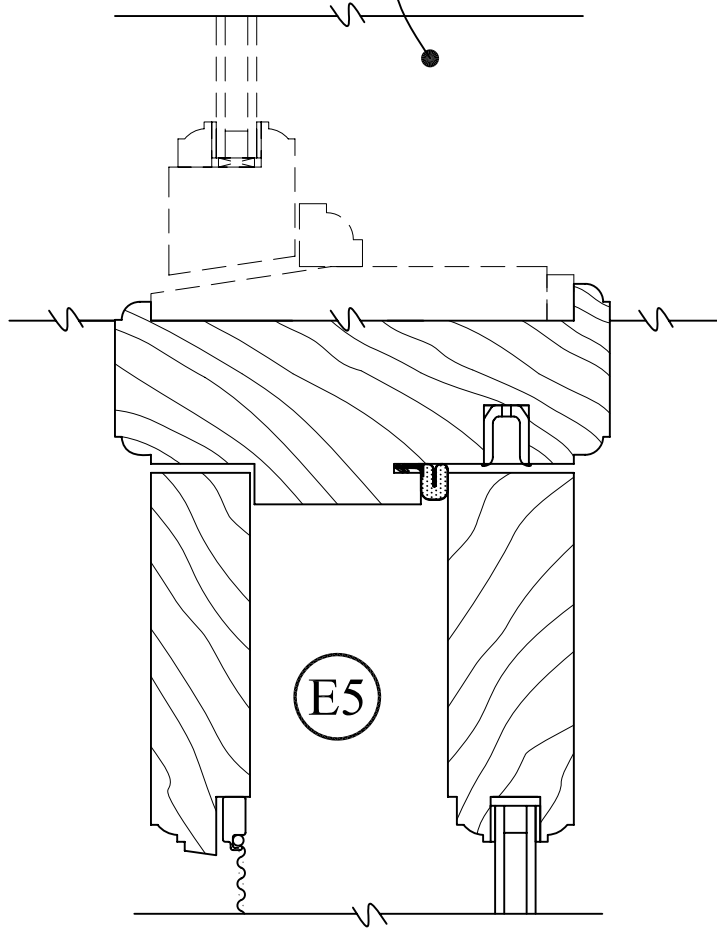
Scale: 3/8" = 1"

Revision Date: 1-1-08

File Name:

E4

SEE Dx & Gx DETAILS
FOR OPTIONS



DOOR HEAD



132 Ashmore Drive
Leola, Pennsylvania 17540
(717) 661-7520 Fax (717) 661-7727

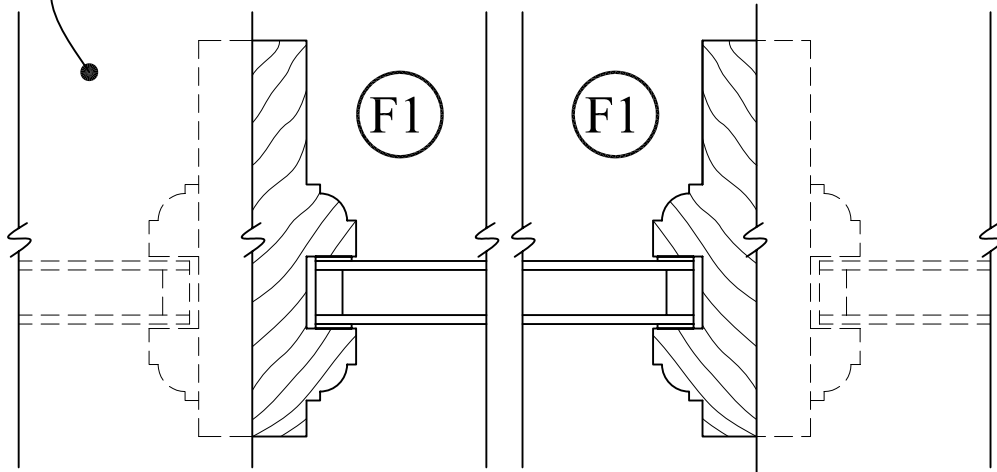
Scale: 3/8" = 1"

Revision Date: 1-1-08

File Name:

E5

SEE Fx DETAILS
FOR OPTIONS



DIRECT SET GLASS
(HORIZONTAL SECTION)



132 Ashmore Drive
Leola, Pennsylvania 17540
(717) 661-7520 Fax (717) 661-7727

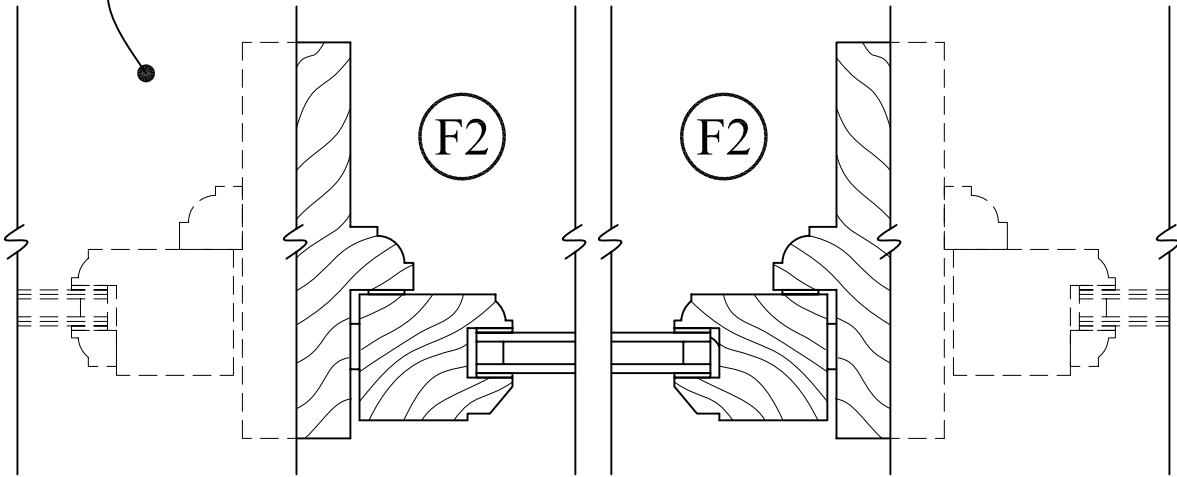
Scale: 3/8" = 1"

File Name:

Revision Date: 1-1-08

F1

SEE Fx DETAILS
FOR OPTIONS



FIXED SASH
(HORIZONTAL SECTION)



132 Ashmore Drive
Leola, Pennsylvania 17540
(717) 661-7520 Fax (717) 661-7727

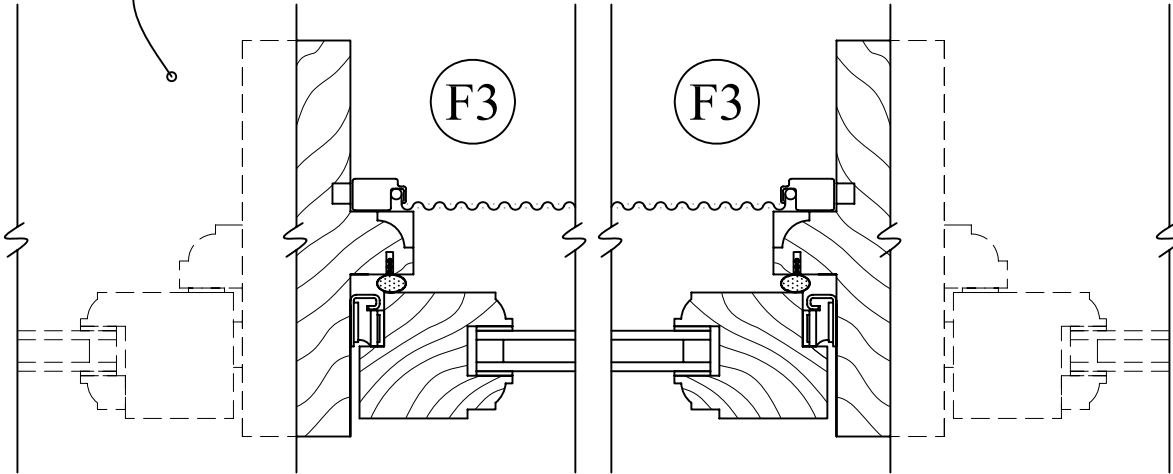
Scale: 3/8" = 1"

Revision Date: 1-1-08

File Name:

F2

SEE F_x DETAILS
FOR OPTIONS



AWNING SASH
(HORIZONTAL SECTION)



132 Ashmore Drive
Leola, Pennsylvania 17540
(717) 661-7520 Fax (717) 661-7727

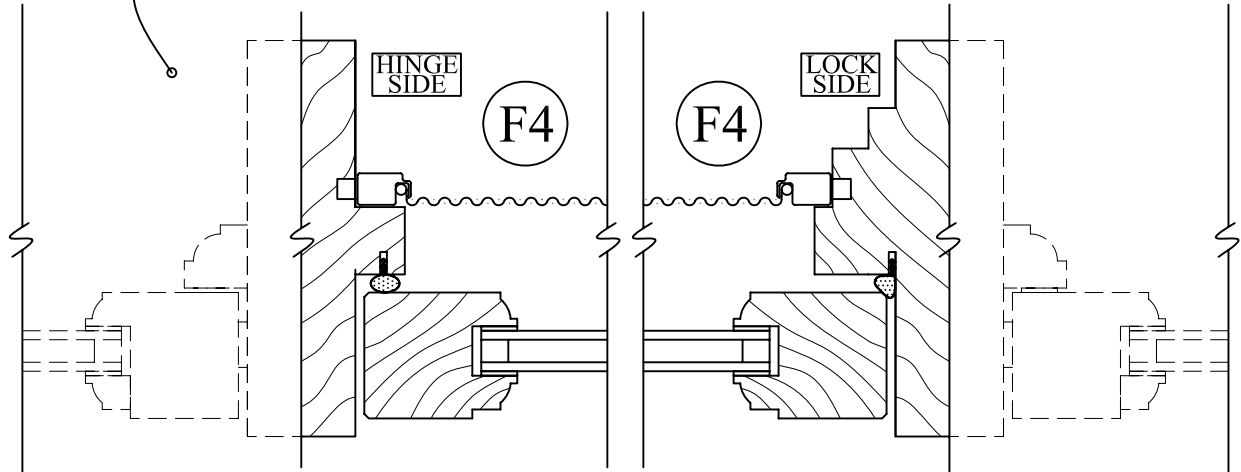
Scale: 3/8" = 1"

Revision Date: 1-1-08

File Name:

F3

SEE Fx DETAILS
FOR OPTIONS



CASEMENT SASH
(HORIZONTAL SECTION)



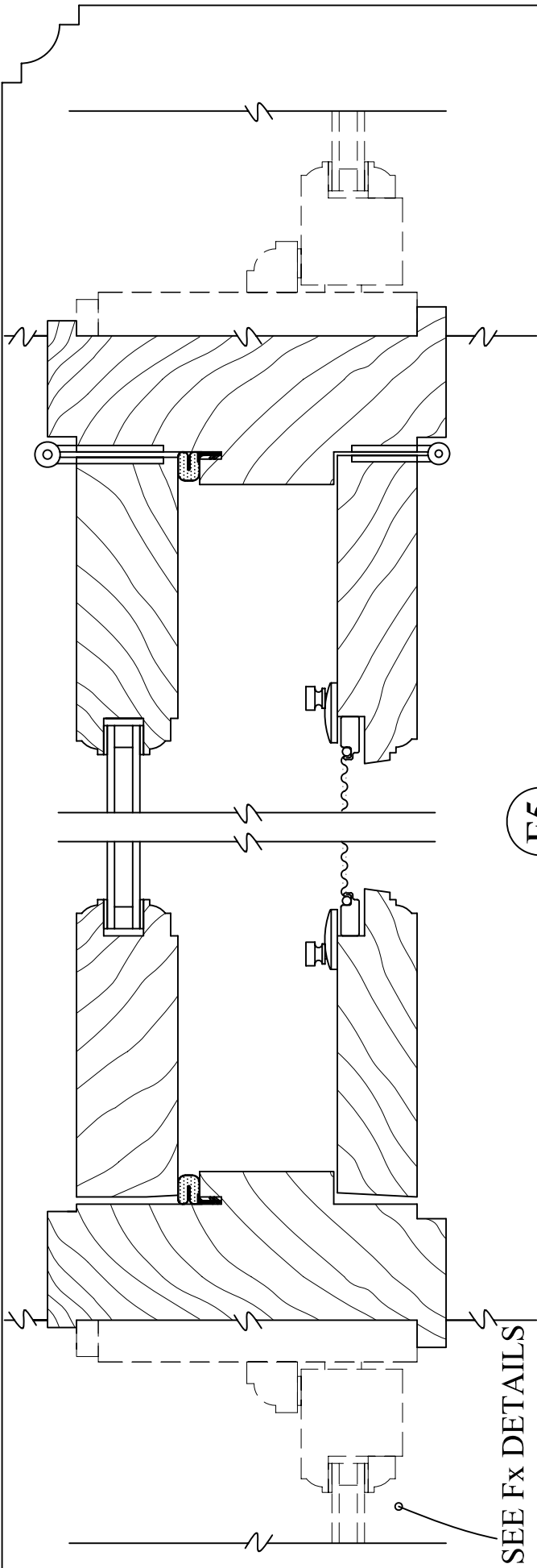
132 Ashmore Drive
Leola, Pennsylvania 17540
(717) 661-7520 Fax (717) 661-7727

Scale: 3/8" = 1"

File Name:

Revision Date: 1-1-08

F4



F5

IN-SWING DOOR
(HORIZONTAL SECTION)



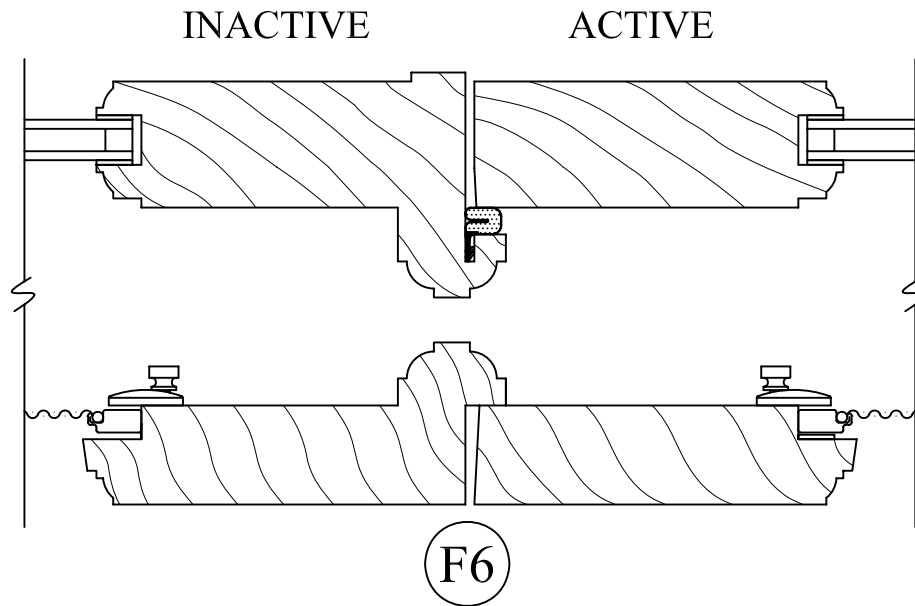
132 Ashmore Drive
Leola, Pennsylvania 17540
(717) 661-7520 Fax (717) 661-7727

Scale: 3/8" = 1"

Revision Date: 1-1-08

File Name:

F5



IN-SWING FRENCH DOOR MEETING STILE
 (HORIZONTAL SECTION)



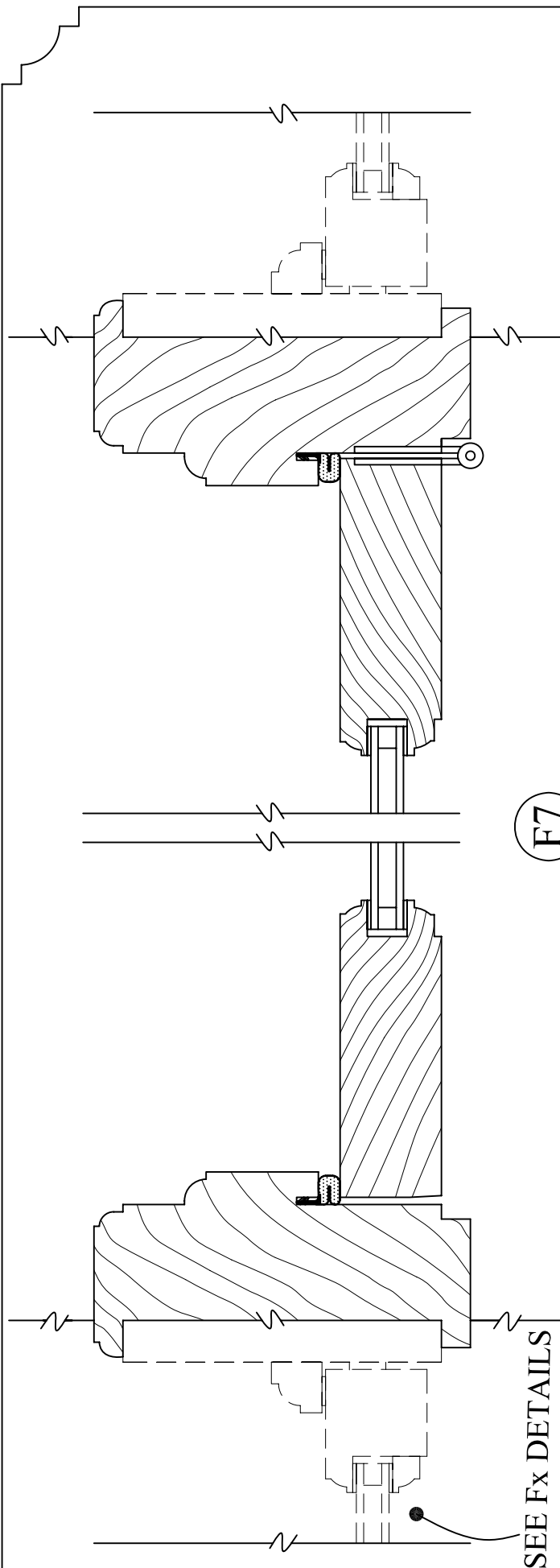
132 Ashmore Drive
 Leola, Pennsylvania 17540
 (717) 661-7520 Fax (717) 661-7727

Scale: 3/8" = 1"

Revision Date: 1-1-08

File Name:

F6



F7

SEE FX DETAILS
FOR OPTIONS

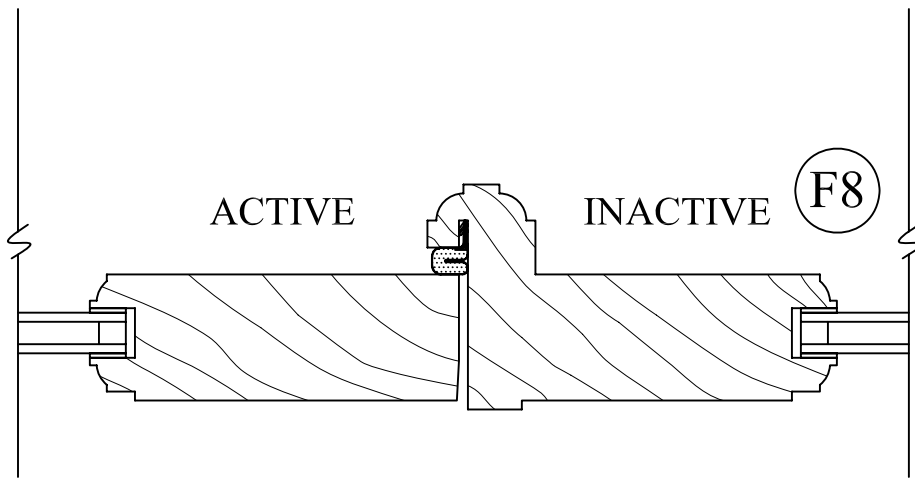
OUT-SWING DOOR
(HORIZONTAL SECTION)



132 Ashmore Drive
Leola, Pennsylvania 17540
(717) 661-7520 Fax (717) 661-7727

Scale: 3/8" = 1"
Revision Date: 1-1-08

File Name:
F7



OUT-SWING FRENCH DOOR MEETING STILE
(HORIZONTAL SECTION)



132 Ashmore Drive
Leola, Pennsylvania 17540
(717) 661-7520 Fax (717) 661-7727

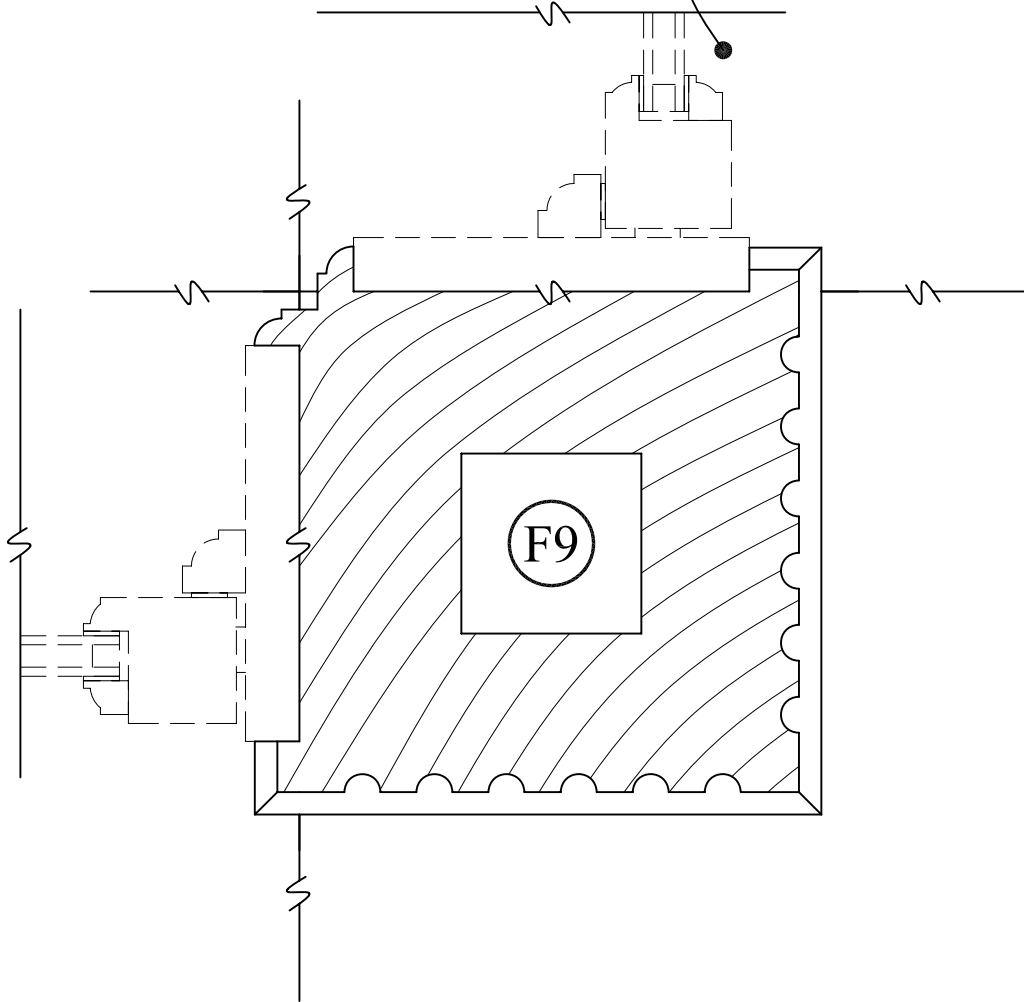
Scale: 3/8" = 1"

Revision Date: 1-1-08

File Name:

F8

SEE Fx DETAILS
FOR OPTIONS



OUTSIDE CORNER POST
(HORIZONTAL SECTION)



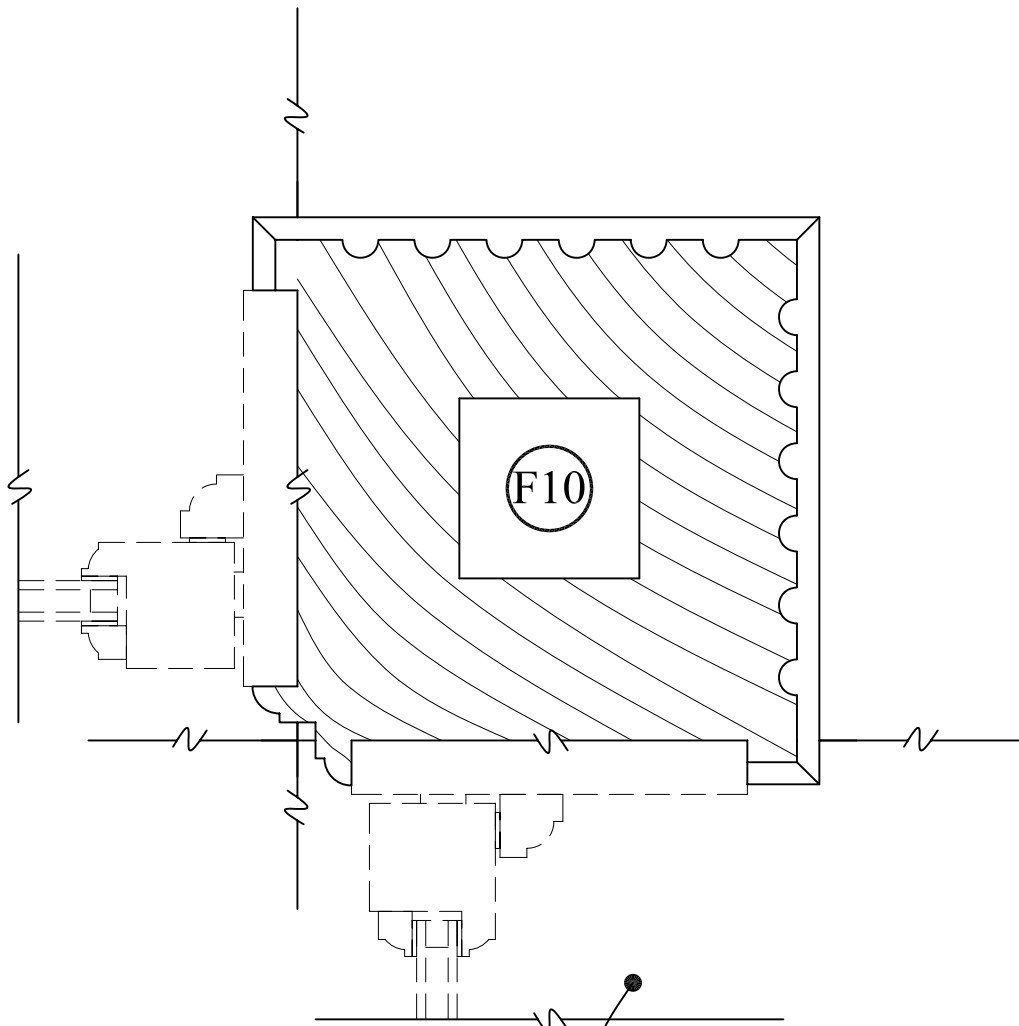
132 Ashmore Drive
Leola, Pennsylvania 17540
(717) 661-7520 Fax (717) 661-7727

Scale: 3/8" = 1"

File Name:

Revision Date: 1-1-08

F9



SEE Fx DETAILS
FOR OPTIONS

INSIDE CORNER POST
(HORIZONTAL SECTION)



132 Ashmore Drive
Leola, Pennsylvania 17540
(717) 661-7520 Fax (717) 661-7727

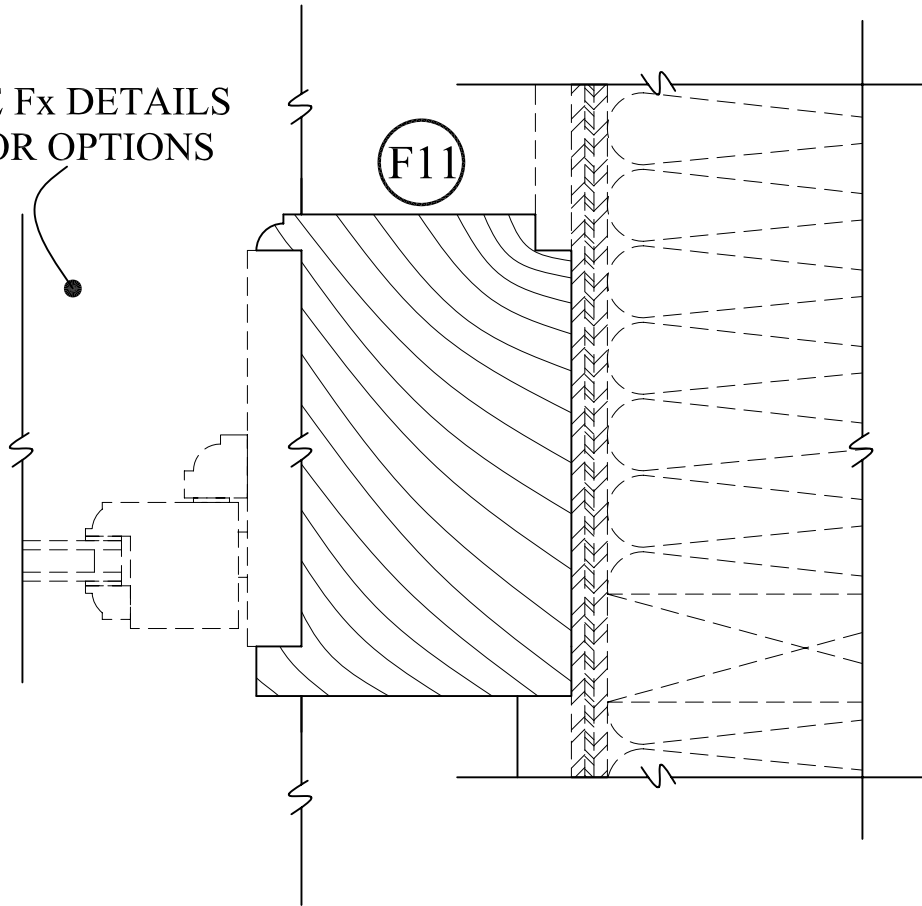
Scale: 3/8" = 1"

Revision Date: 1-1-08

File Name:

F10

SEE Fx DETAILS
FOR OPTIONS



VERTICAL MEMBER AT HOUSE
(HORIZONTAL SECTION)



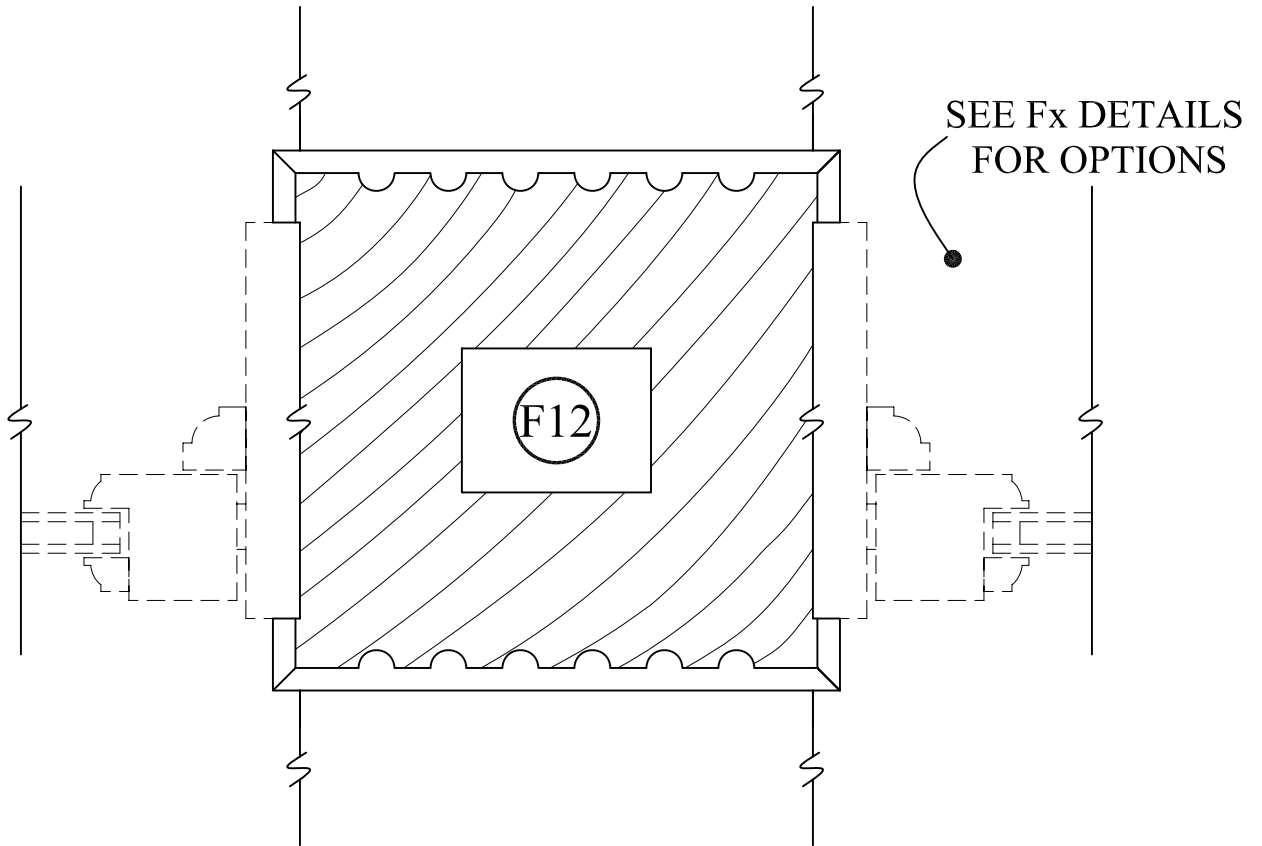
132 Ashmore Drive
Leola, Pennsylvania 17540
(717) 661-7520 Fax (717) 661-7727

Scale: 3/8" = 1"

Revision Date: 1-1-08

File Name:

F11



INTERMEDIATE WIDE COLUMN
 (HORIZONTAL SECTION)



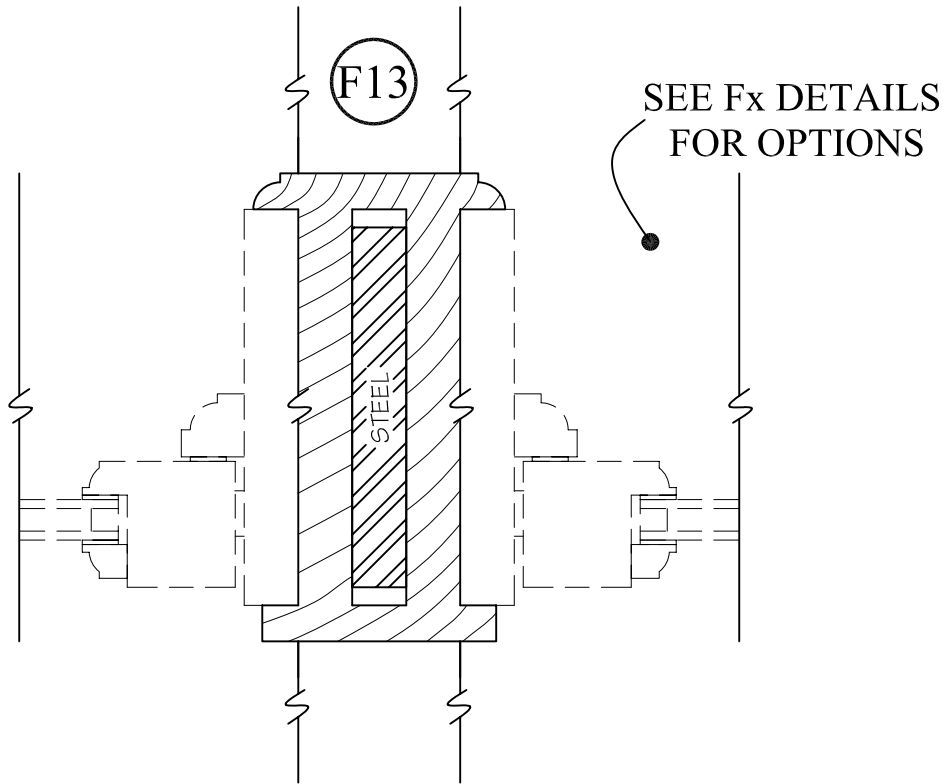
132 Ashmore Drive
 Leola, Pennsylvania 17540
 (717) 661-7520 Fax (717) 661-7727

Scale: 3/8" = 1"

Revision Date: 1-1-08

File Name:

F12



STEEL FLITCH
 (HORIZONTAL SECTION)



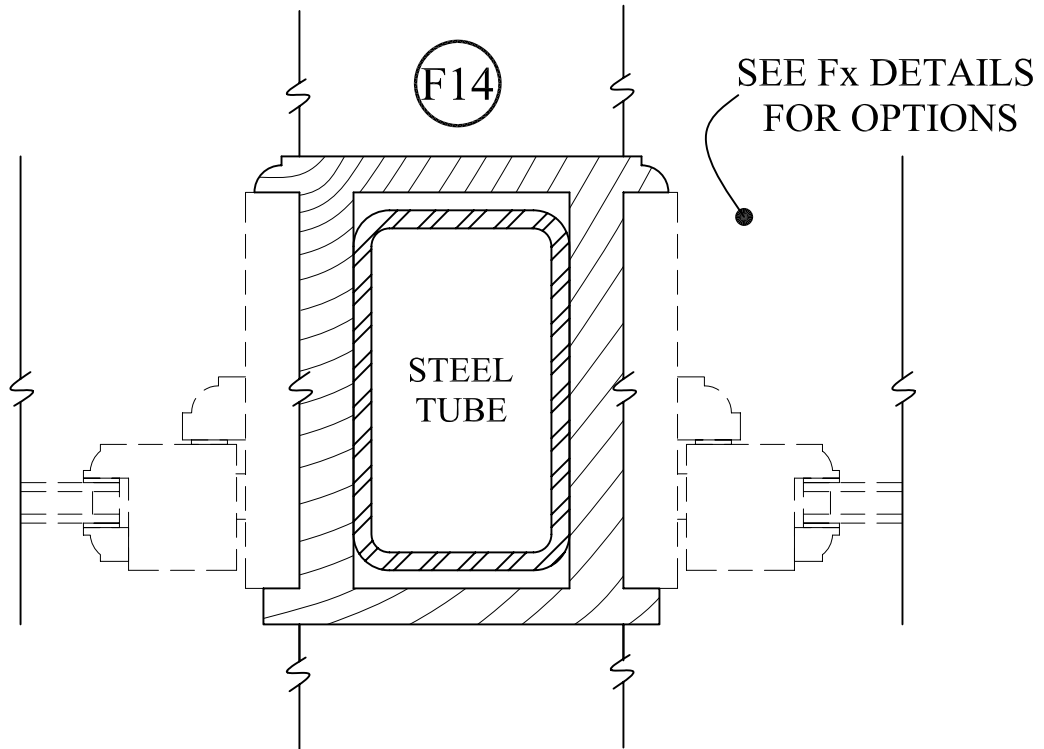
132 Ashmore Drive
 Leola, Pennsylvania 17540
 (717) 661-7520 Fax (717) 661-7727

Scale: 3/8" = 1"

Revision Date: 1-1-08

File Name:

F13



STEEL TUBE
(HORIZONTAL SECTION)



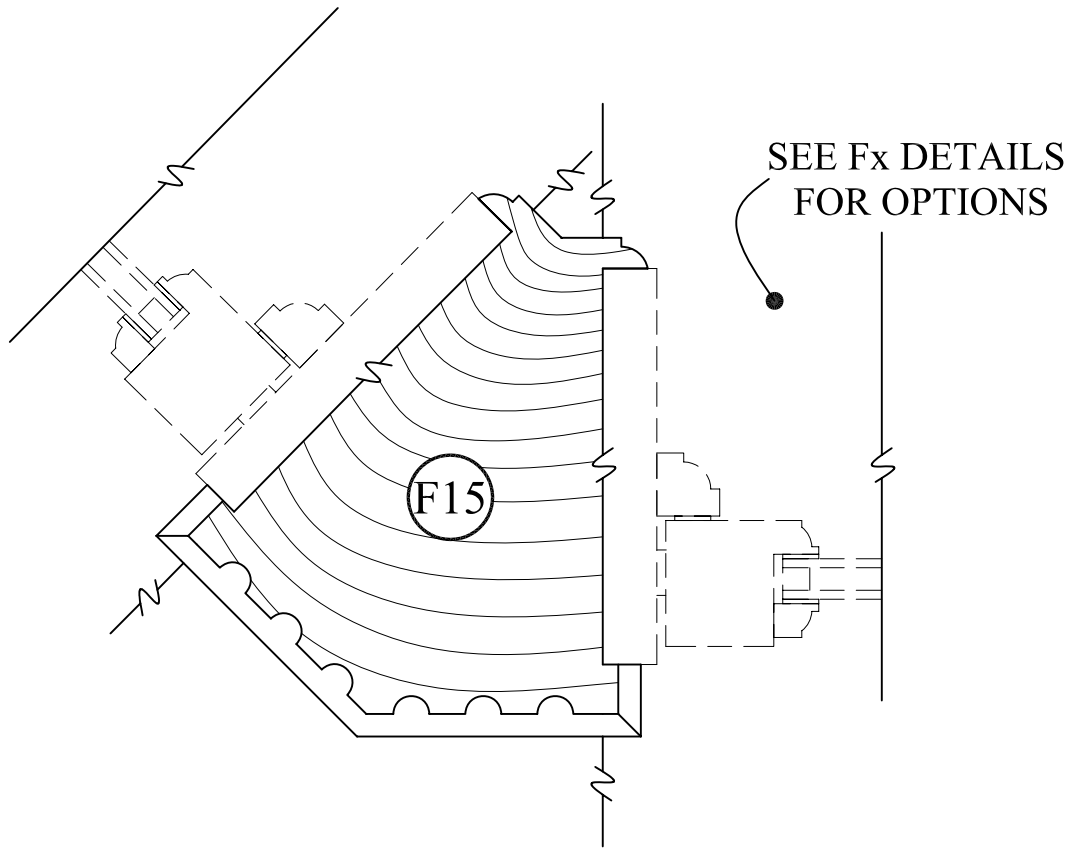
132 Ashmore Drive
Leola, Pennsylvania 17540
(717) 661-7520 Fax (717) 661-7727

Scale: 3/8" = 1"

Revision Date: 1-1-08

File Name:

F14



ANGLED CORNER POST
 (HORIZONTAL SECTION)



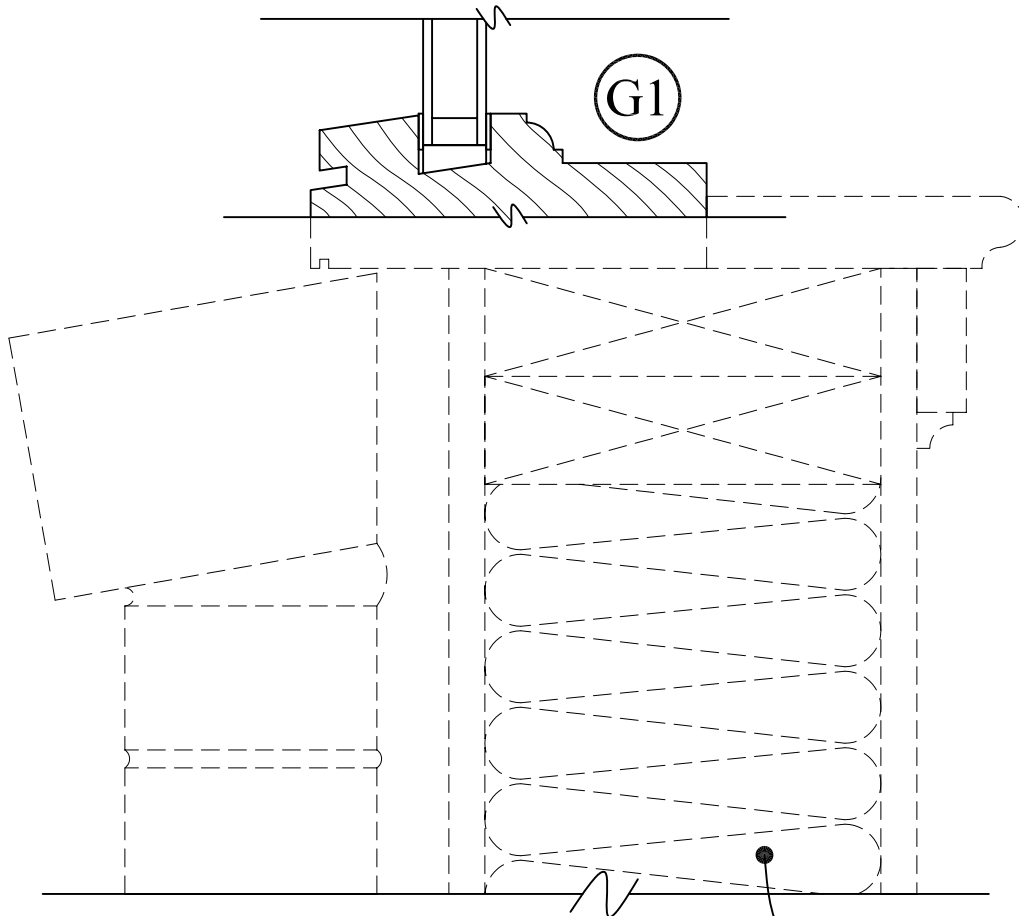
132 Ashmore Drive
 Leola, Pennsylvania 17540
 (717) 661-7520 Fax (717) 661-7727

Scale: 3/8" = 1"

Revision Date: 1-1-08

File Name:

F15



SEE Hx & Ex DETAILS
FOR OPTIONS

DIRECT SET SILL



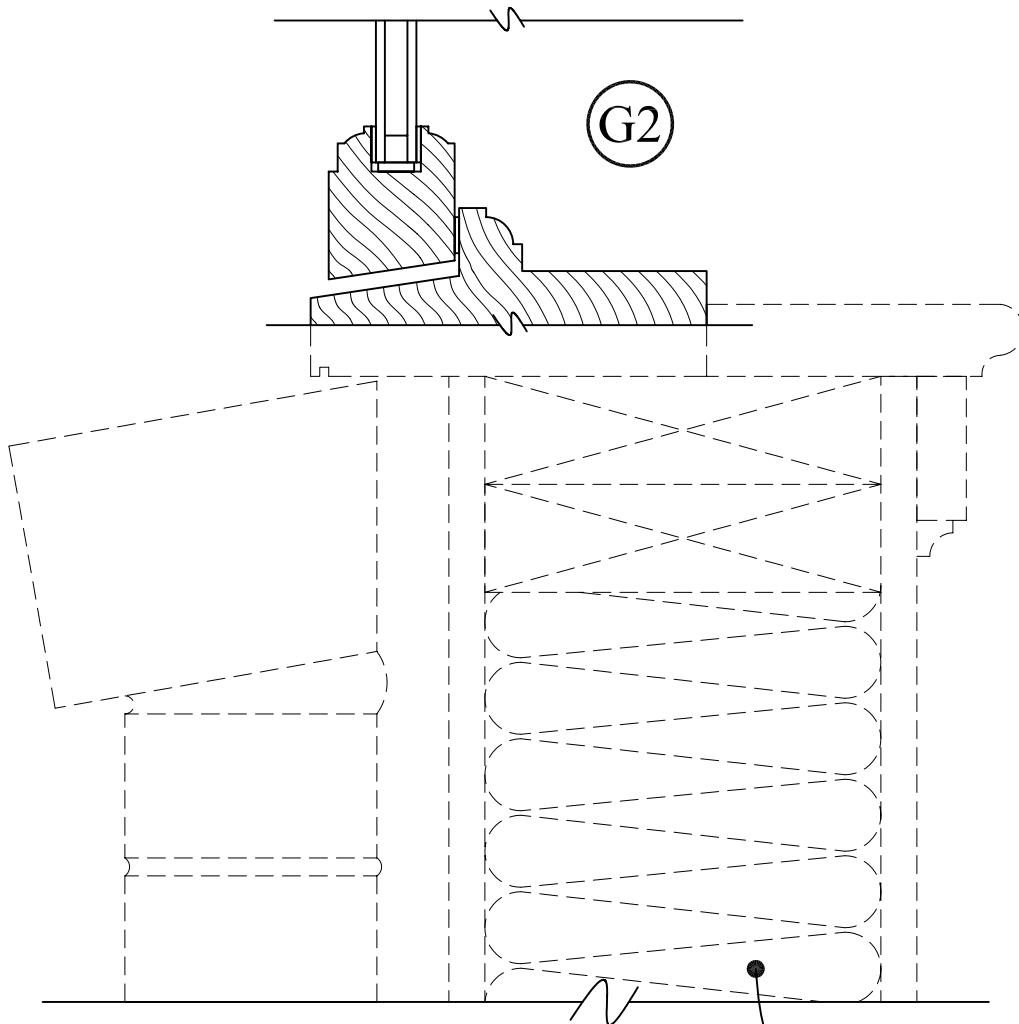
132 Ashmore Drive
Leola, Pennsylvania 17540
(717) 661-7520 Fax (717) 661-7727

Scale: 3/8" = 1"

Revision Date: 1-1-08

File Name:

G1



SEE Hx & Ex DETAILS
FOR OPTIONS

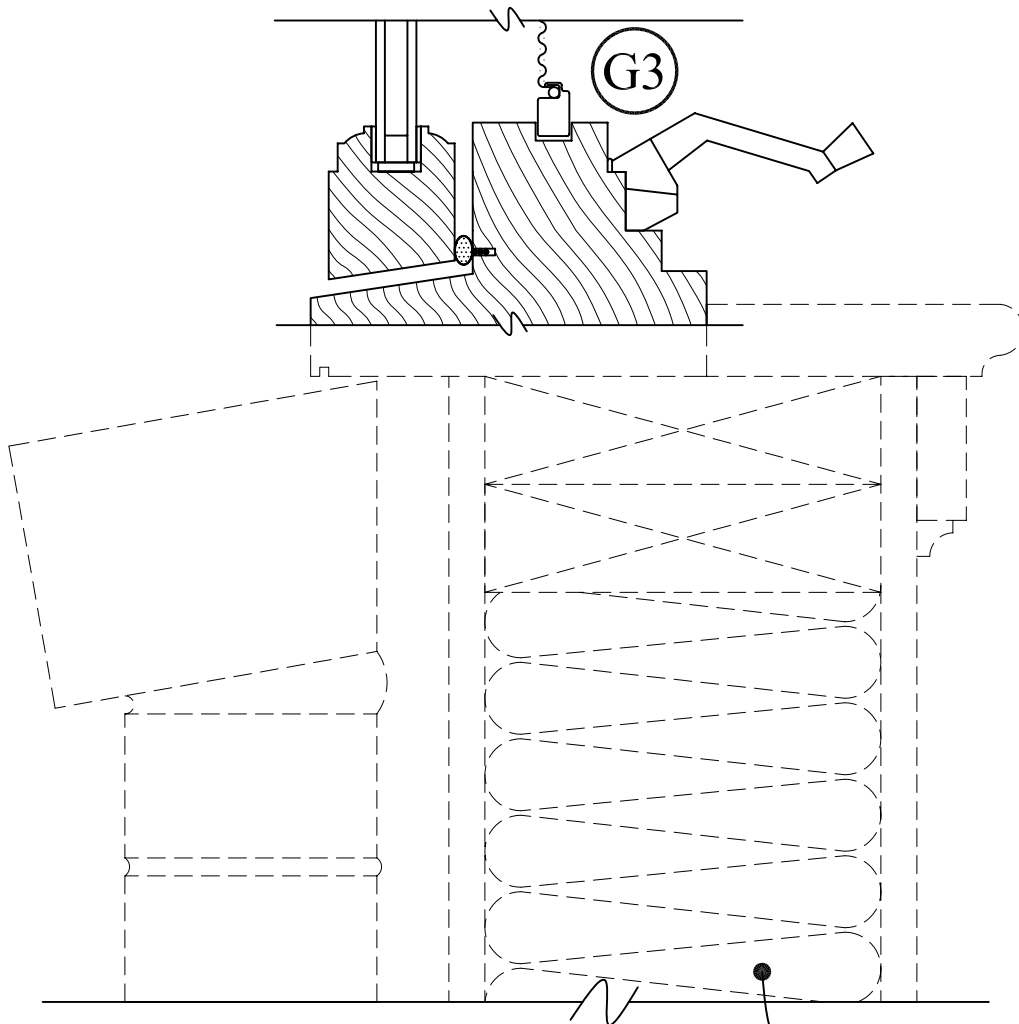
FIXED SASH SILL



132 Ashmore Drive
Leola, Pennsylvania 17540
(717) 661-7520 Fax (717) 661-7727

Scale: 3/8" = 1"
Revision Date: 1-1-08

File Name:
G2



SEE Hx & Ex DETAILS
FOR OPTIONS

AWNING SILL



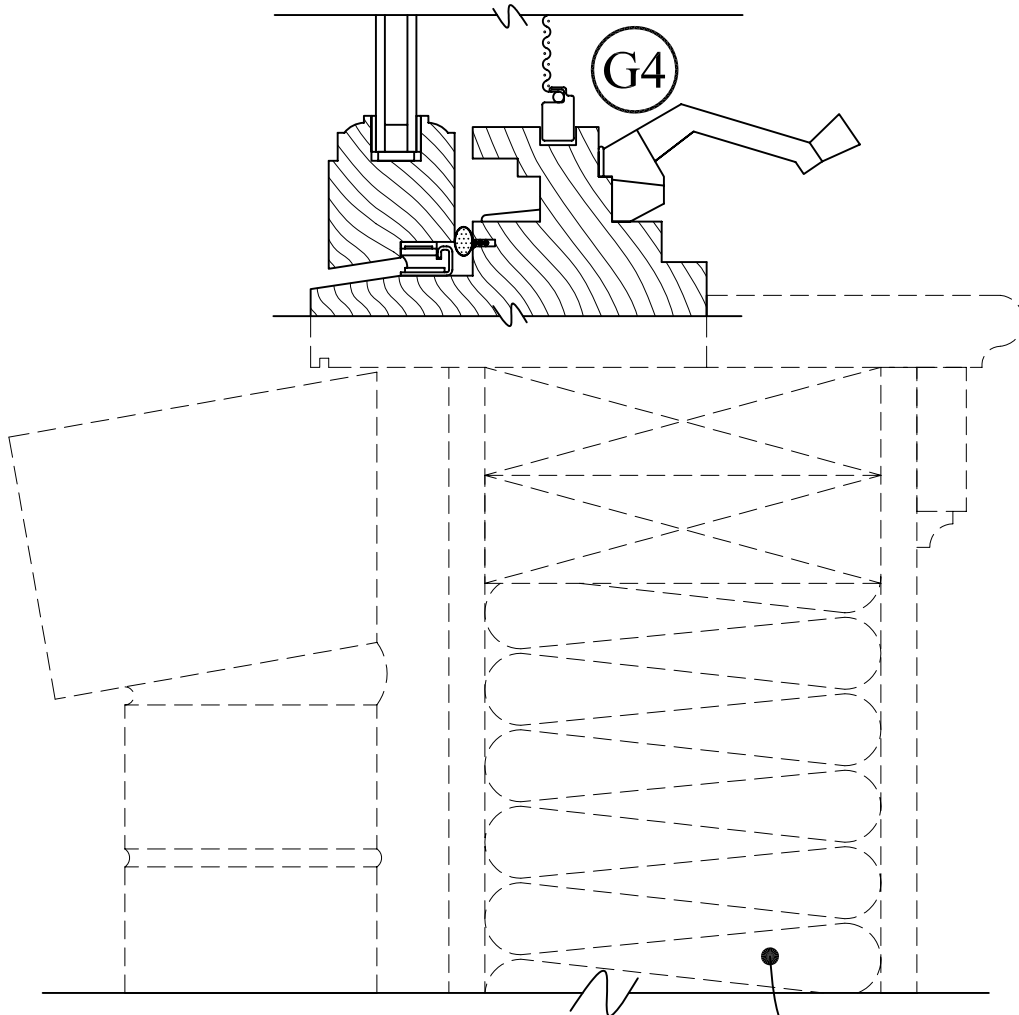
132 Ashmore Drive
Leola, Pennsylvania 17540
(717) 661-7520 Fax (717) 661-7727

Scale: 3/8" = 1"

Revision Date: 1-1-08

File Name:

G3



SEE Hx & Ex DETAILS
FOR OPTIONS

CASEMENT SILL



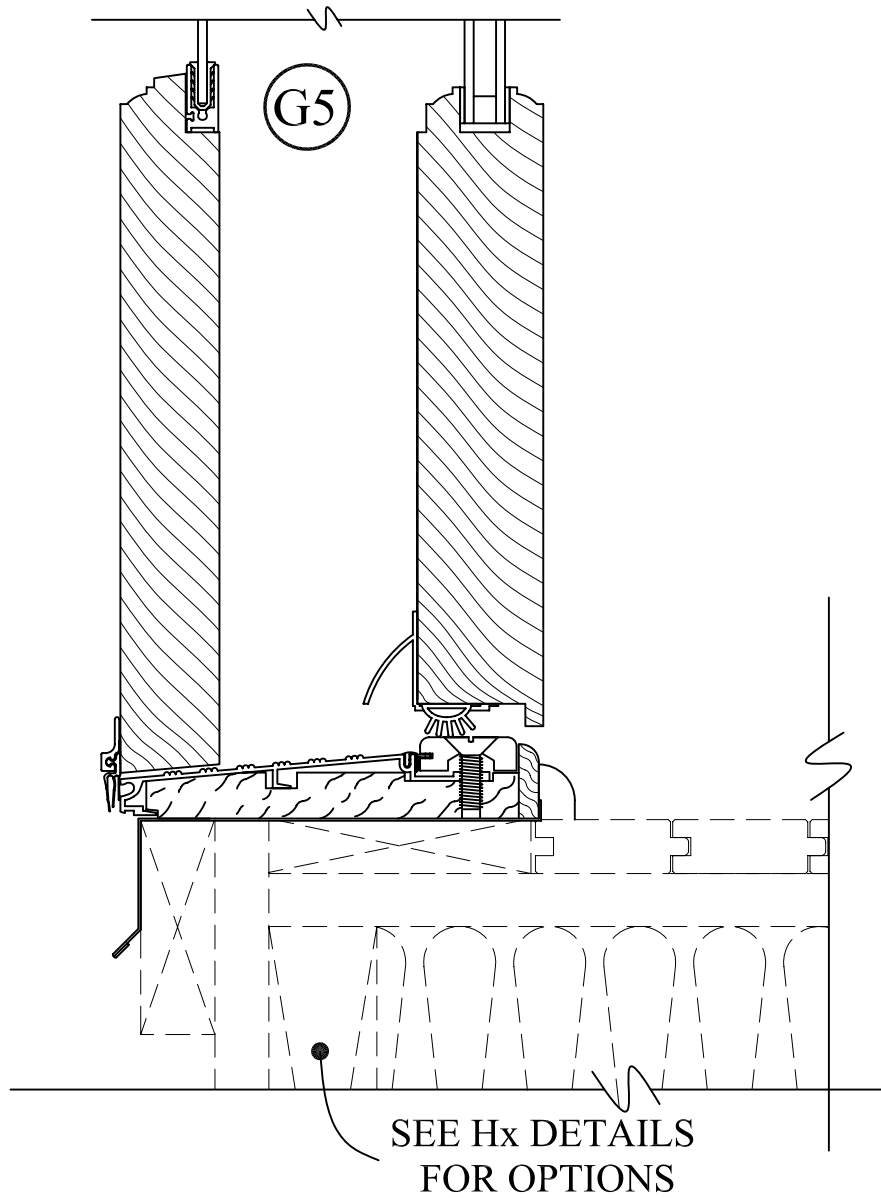
132 Ashmore Drive
Leola, Pennsylvania 17540
(717) 661-7520 Fax (717) 661-7727

Scale: 3/8" = 1"

Revision Date: 1-1-08

File Name:

G4



ADJUSTABLE ALUMINUM THRESHOLD



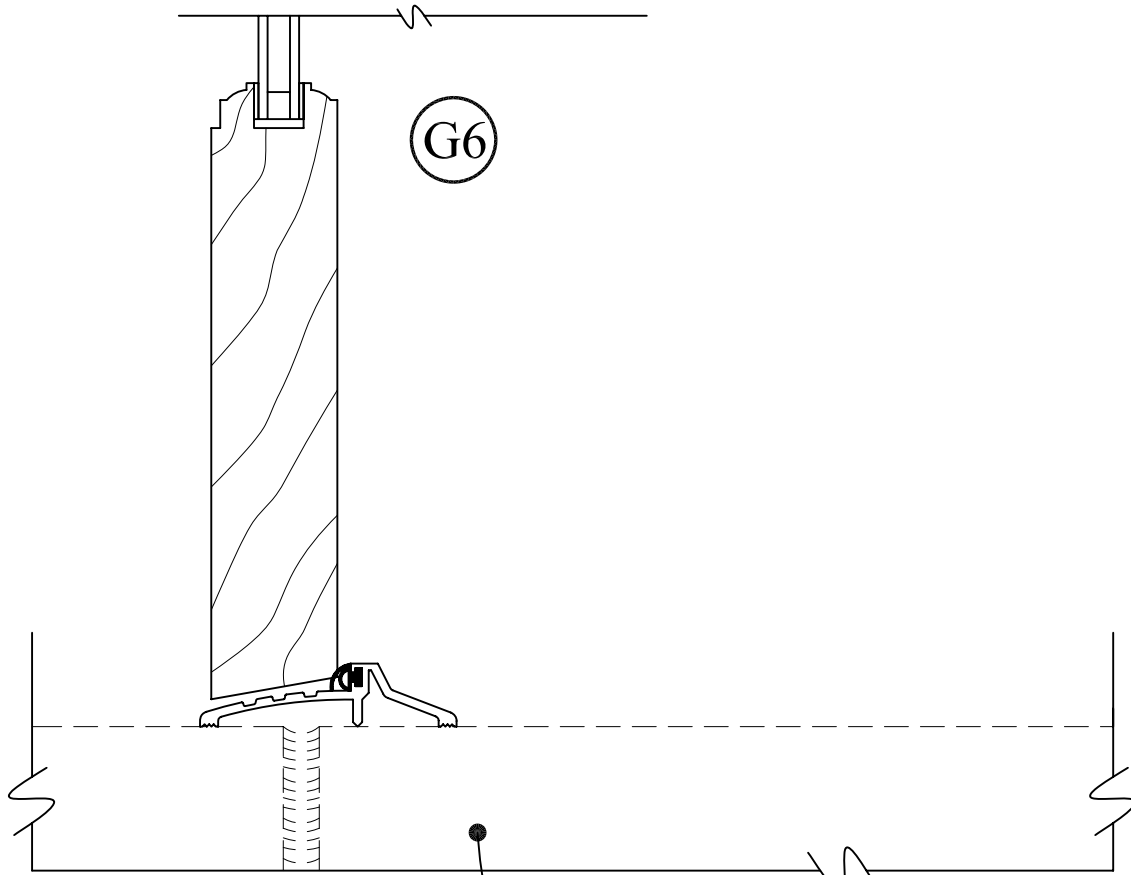
132 Ashmore Drive
Leola, Pennsylvania 17540
(717) 661-7520 Fax (717) 661-7727

Scale: 3/8" = 1"

Revision Date: 1-1-08

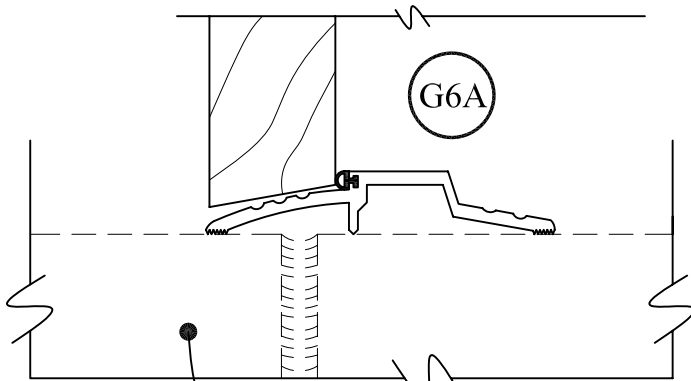
File Name:

G5



SEE Hx DETAILS
FOR OPTIONS

563A OUT-SWING DOOR THRESHOLD
(SOLID ALUMINUM THRESHOLD)



SEE Hx DETAILS
FOR OPTIONS

565B OUT-SWING DOOR THRESHOLD
(SOLID BRONZE THRESHOLD ALTERNATE)



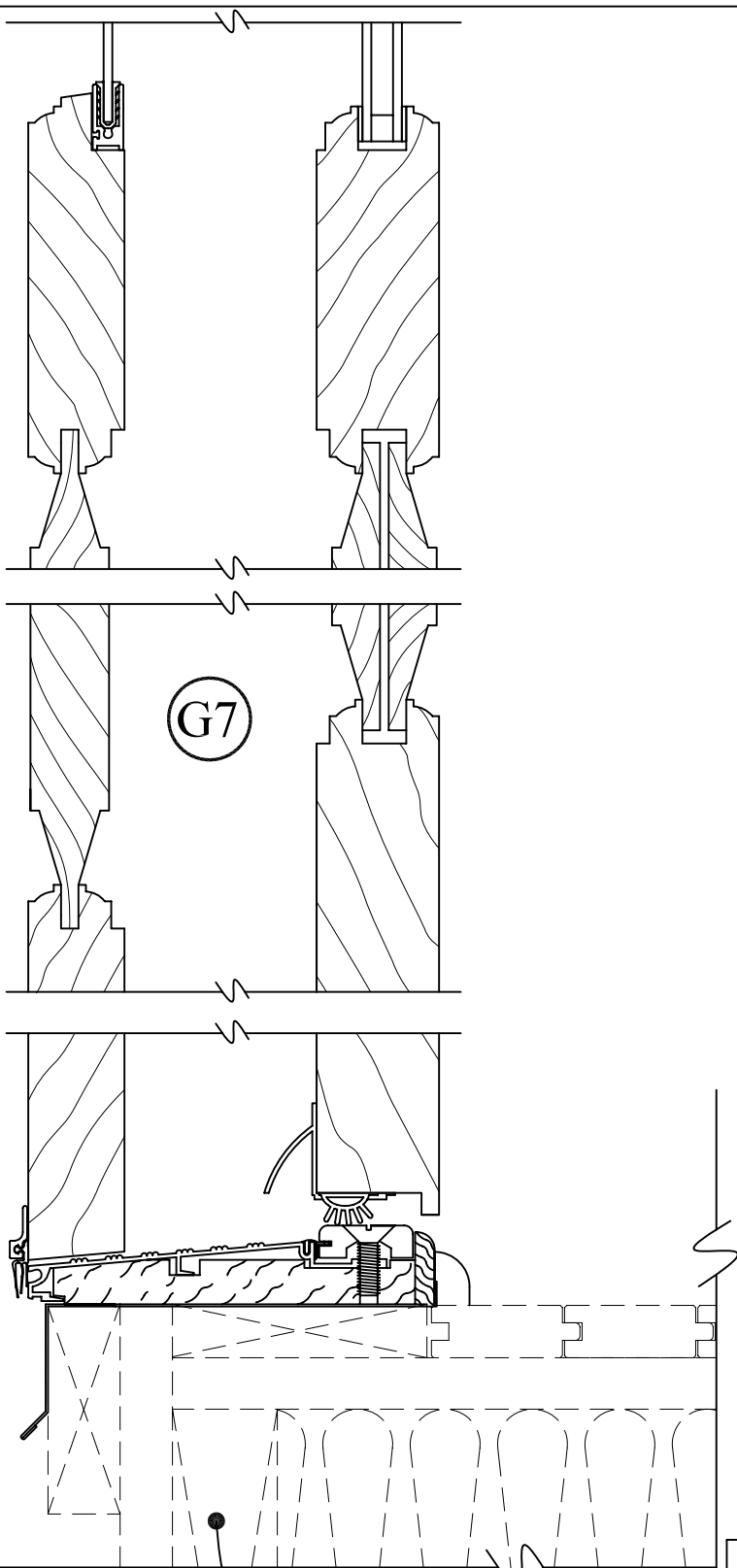
132 Ashmore Drive
Leola, Pennsylvania 17540
(717) 661-7520 Fax (717) 661-7727

Scale: 3/8" = 1"

Revision Date: 1-1-08

File Name:

G6, G6A



SEE Hx & Ex DETAILS
FOR OPTIONS

IN-SWING RAISED PANEL DOOR THRESHOLD



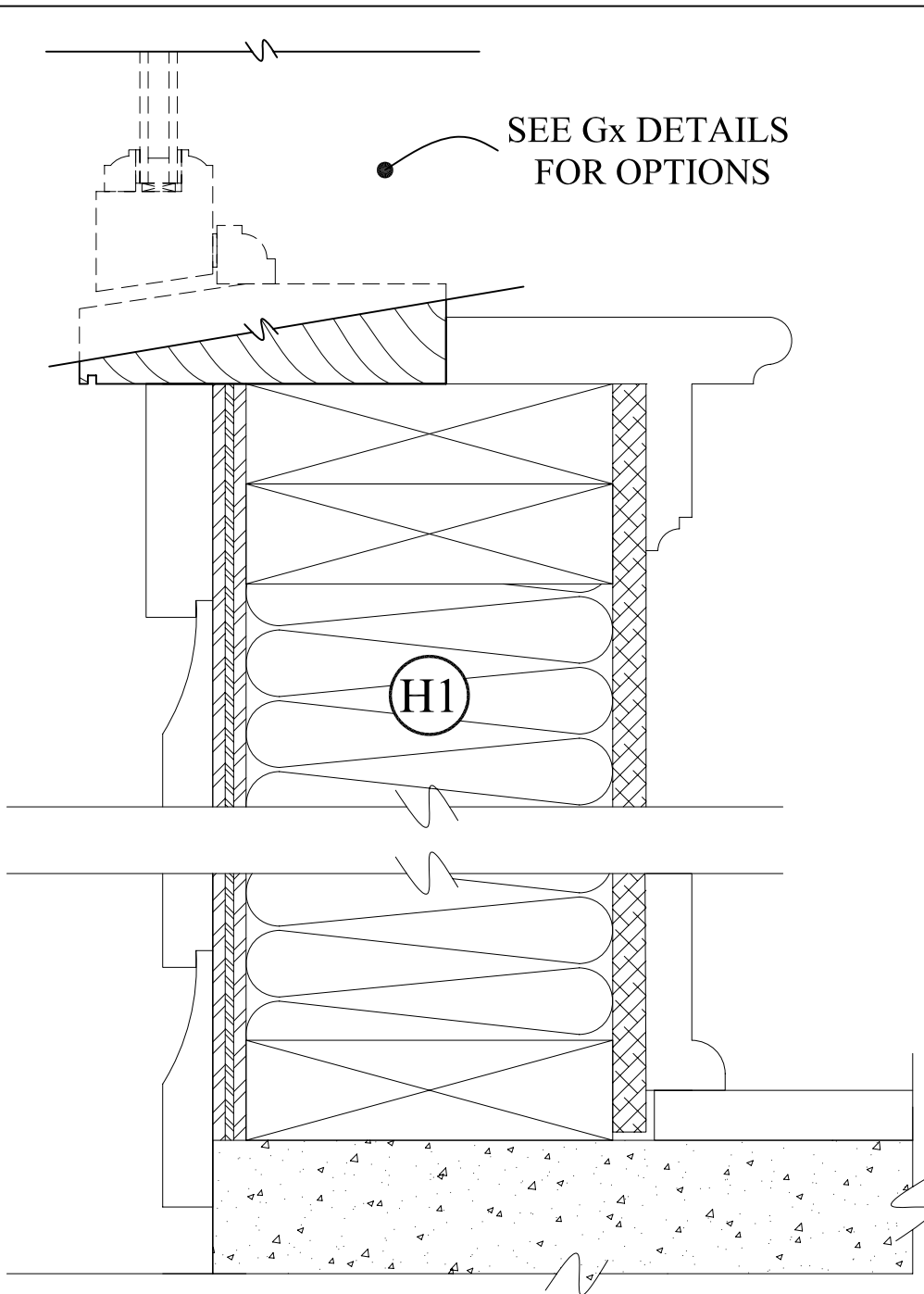
132 Ashmore Drive
Leola, Pennsylvania 17540
(717) 661-7520 Fax (717) 661-7727

Scale: 3/8" = 1"

File Name:

Revision Date: 1-1-08

G7



KNEE WALL - 2x6 STUD WALL w/ SIDING



132 Ashmore Drive
 Leola, Pennsylvania 17540
 (717) 661-7520 Fax (717) 661-7727

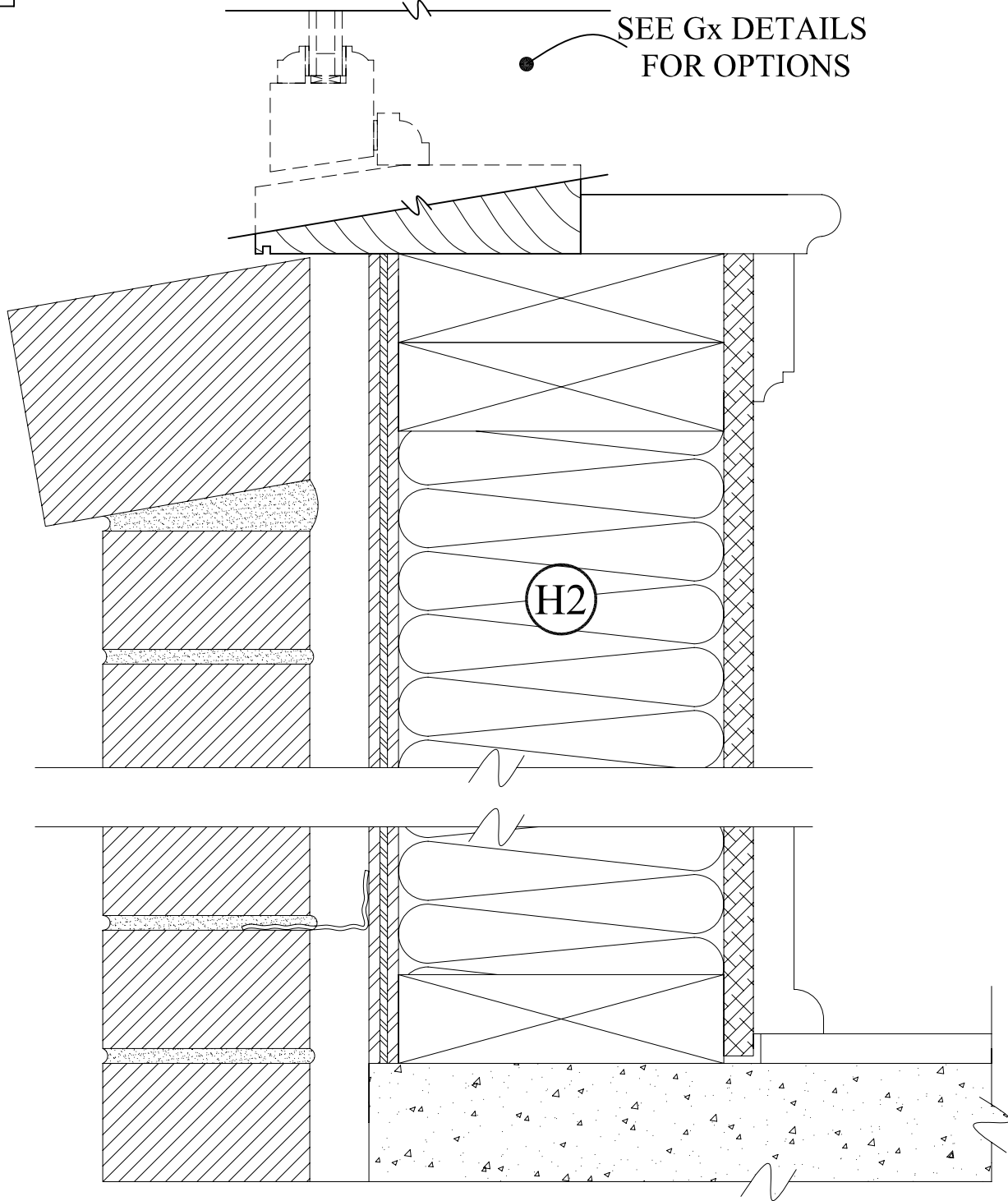
Scale: 3/8" = 1"

Revision Date: 1-1-08

File Name:

H1

SEE Gx DETAILS
FOR OPTIONS



KNEE WALL - 2x6 STUD WALL w/ MASONRY VENEER



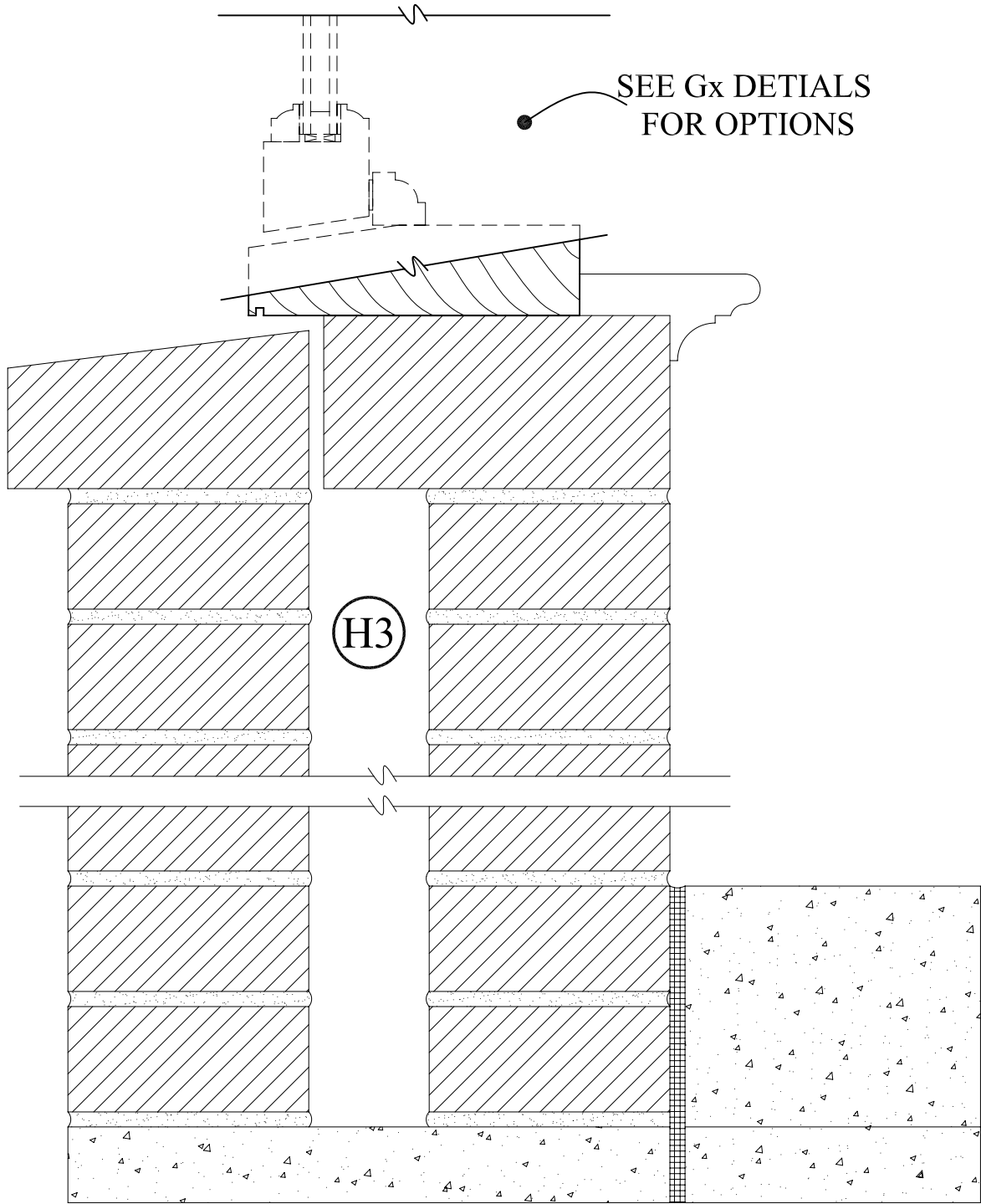
132 Ashmore Drive
Leola, Pennsylvania 17540
(717) 661-7520 Fax (717) 661-7727

Scale: 3/8" = 1"

Revision Date: 1-1-08

File Name:

H2



KNEE WALL - SOLID MASONRY



132 Ashmore Drive
 Leola, Pennsylvania 17540
 (717) 661-7520 Fax (717) 661-7727

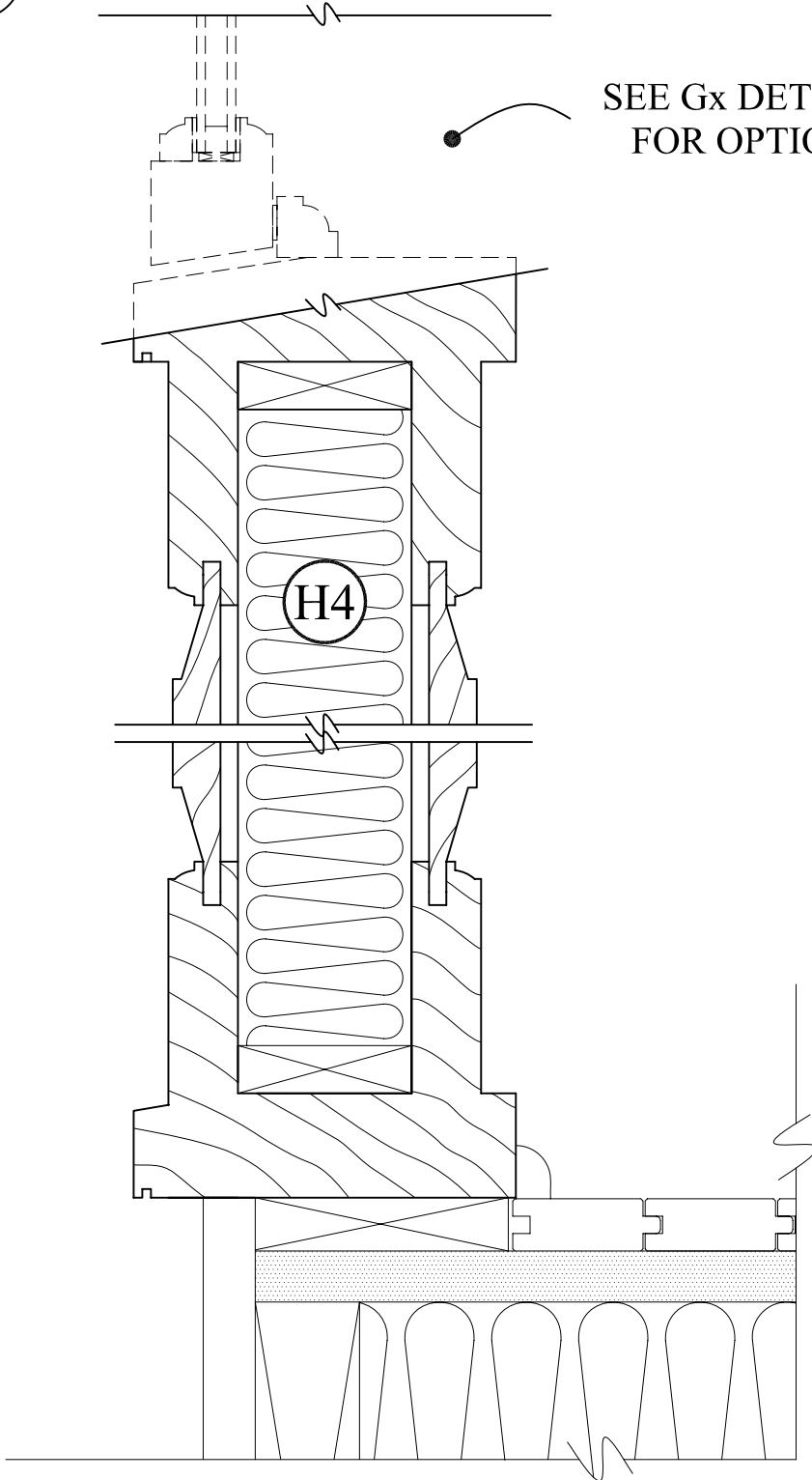
Scale: 3/8" = 1"

Revision Date: 1-1-08

File Name:

H3

SEE Gx DETAILS
FOR OPTIONS



KNEE WALL - INTEGRAL RAISED PANEL



132 Ashmore Drive
Leola, Pennsylvania 17540
(717) 661-7520 Fax (717) 661-7727

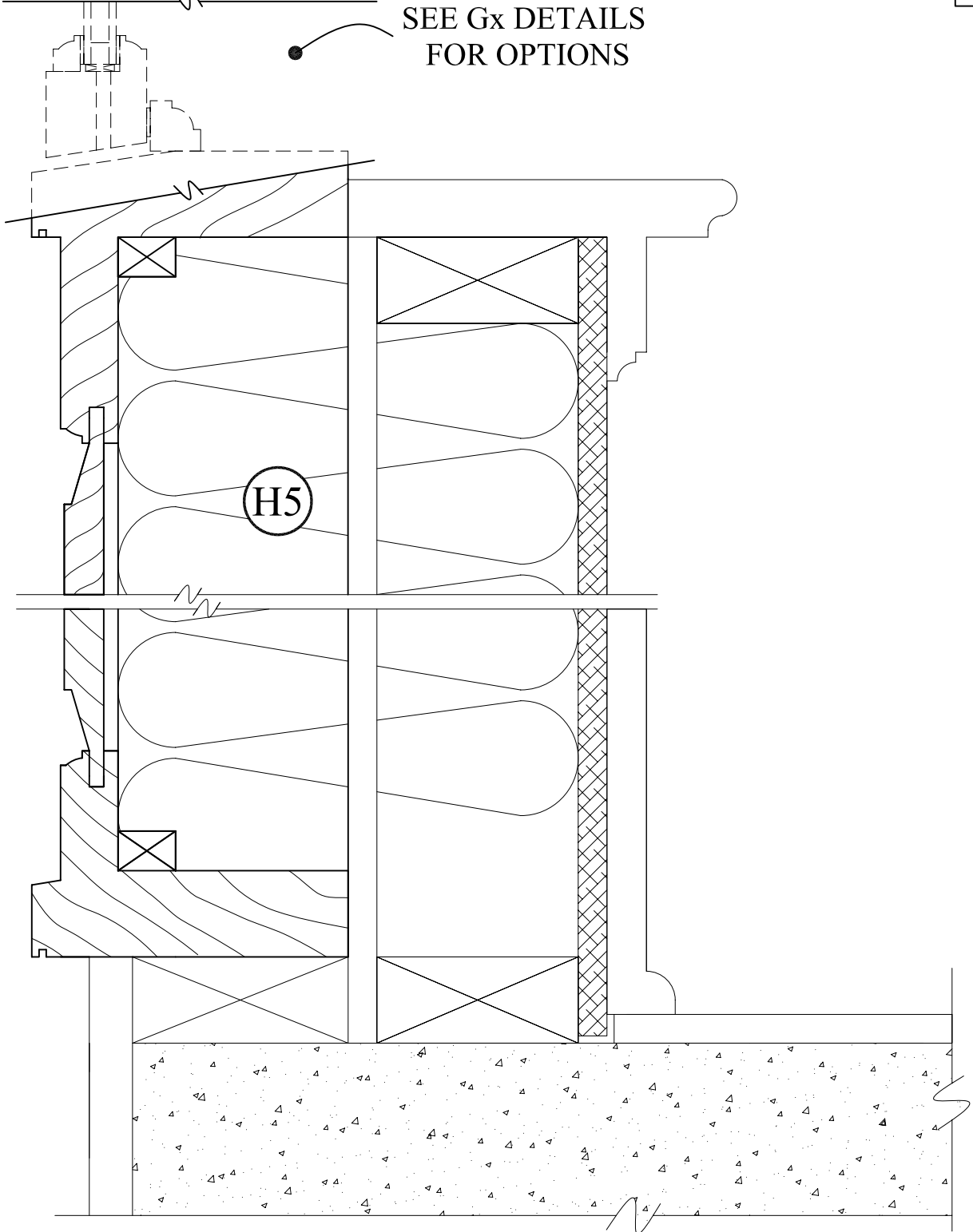
Scale: 3/8" = 1"

File Name:

Revision Date: 1-1-08

H4

SEE Gx DETAILS
FOR OPTIONS



KNEE WALL - INTEGRAL EXTERIOR RAISED PANEL
w/ INTERIOR STUD WALL



132 Ashmore Drive
Leola, Pennsylvania 17540
(717) 661-7520 Fax (717) 661-7727

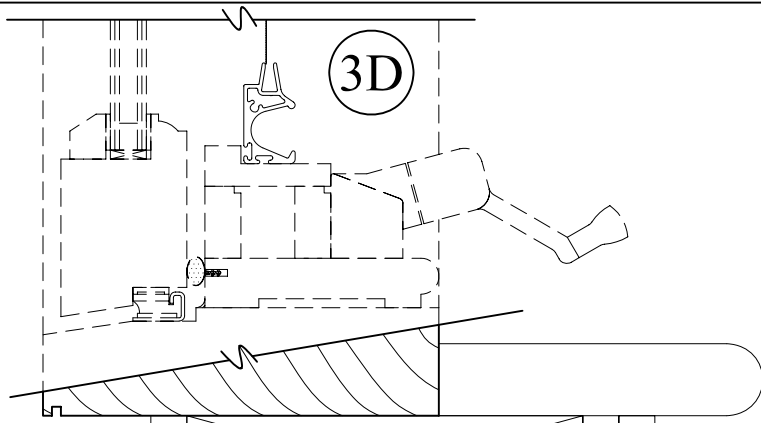
Scale: 3/8" = 1"

Revision Date: 1-8-07

File Name:

H5

3D



STONE CAP B/O

KNEE WALL - STUD WALL WITH STONE P.T.
VENEER SILL

STONE
VENEER
B/O



132 Ashmore Drive
Leola, Pennsylvania 17540
(717) 661-7520 Fax (717) 661-7727

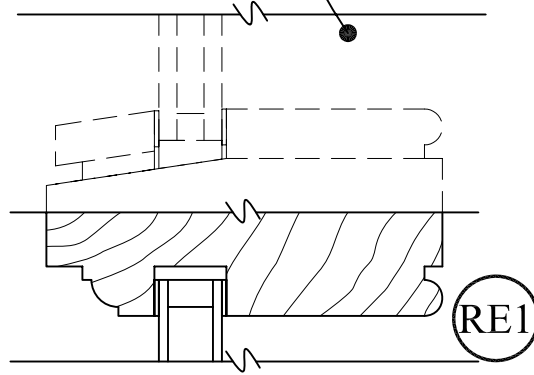
Scale: 3/8" = 1"

File Name:

Revision Date: 1-1-08

H6

SEE Dx & Gx DETAILS
FOR OPTIONS



REVIVAL SERIES DIRECT SET HEAD



132 Ashmore Drive
Leola, Pennsylvania 17540
(717) 661-7520 Fax (717) 661-7727

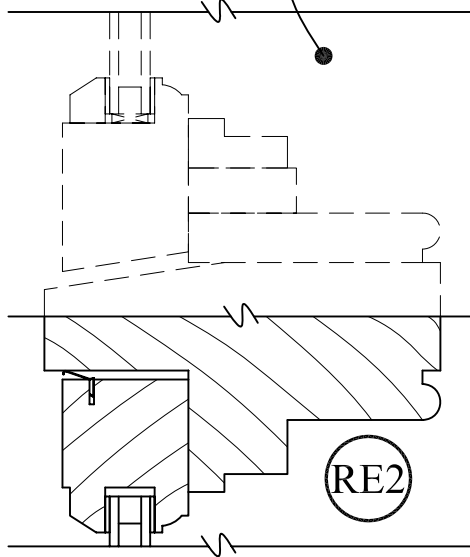
Scale: 3/8" = 1"

Revision Date: 1-1-08

File Name:

RE1

SEE Dx & Gx DETAILS
FOR OPTIONS



REVIVAL SERIES FIXED SASH HEAD



132 Ashmore Drive
Leola, Pennsylvania 17540
(717) 661-7520 Fax (717) 661-7727

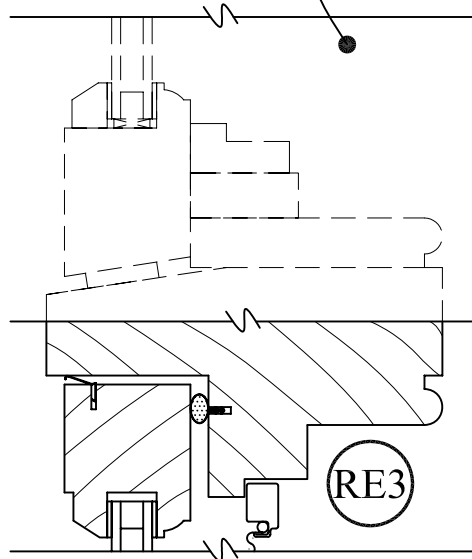
Scale: 3/8" = 1"

Revision Date: 1-1-08

File Name:

RE2

SEE Dx & Gx DETAILS
FOR OPTIONS



REVIVAL SERIES AWNING HEAD



132 Ashmore Drive
Leola, Pennsylvania 17540
(717) 661-7520 Fax (717) 661-7727

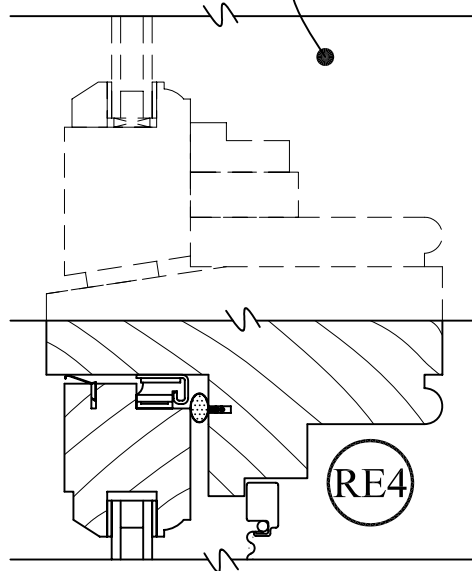
Scale: 3/8" = 1"

Revision Date: 1-1-08

File Name:

RE3

SEE Dx & Gx DETAILS
FOR OPTIONS



REVIVAL SERIES CASEMENT HEAD



132 Ashmore Drive
Leola, Pennsylvania 17540
(717) 661-7520 Fax (717) 661-7727

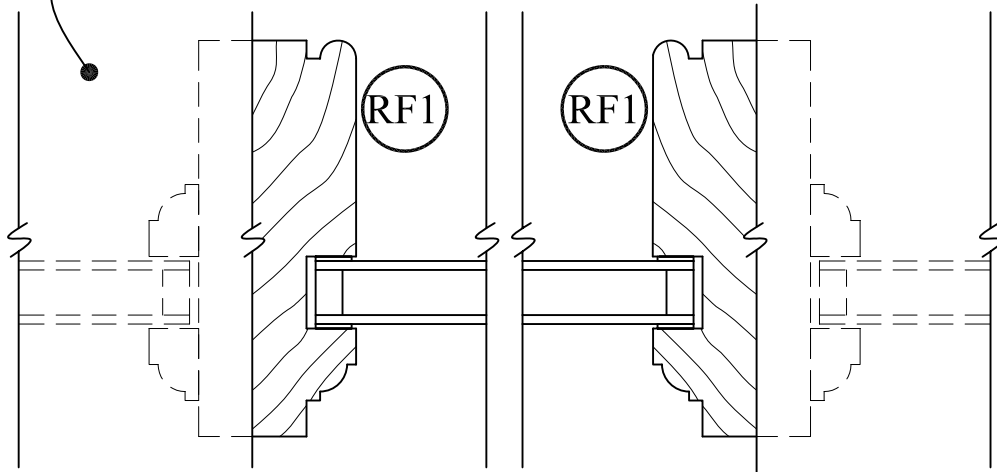
Scale: 3/8" = 1"

Revision Date: 1-1-08

File Name:

RE4

SEE Fx DETAILS
FOR OPTIONS



REVIVAL SERIES DIRECT SET GLASS
(HORIZONTAL SECTION)



132 Ashmore Drive
Leola, Pennsylvania 17540
(717) 661-7520 Fax (717) 661-7727

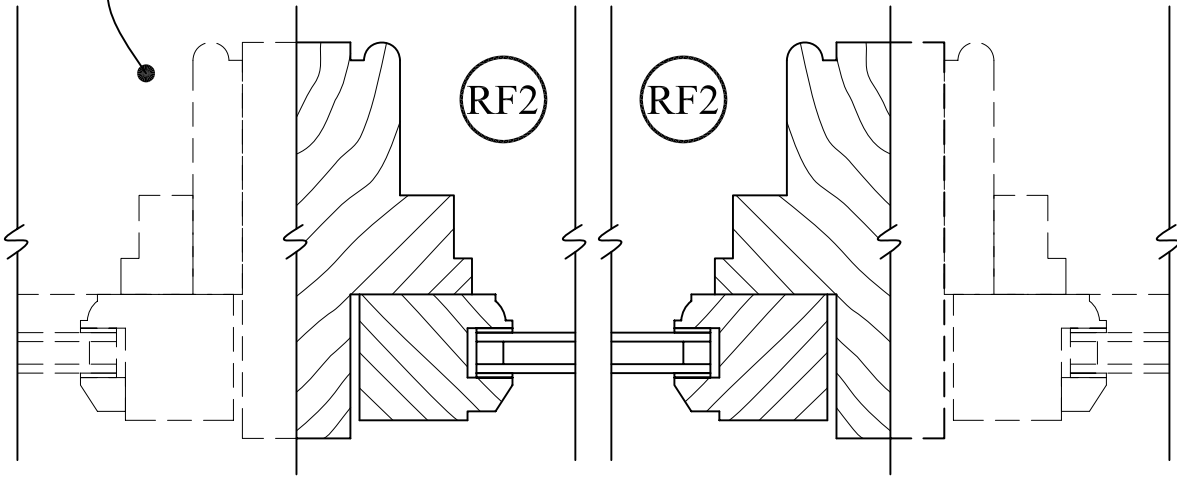
Scale: 3/8" = 1"

Revision Date: 1-1-08

File Name:

RF1

SEE Fx DETAILS
FOR OPTIONS



REVIVAL SERIES FIXED SASH
(HORIZONTAL SECTION)



132 Ashmore Drive
Leola, Pennsylvania 17540
(717) 661-7520 Fax (717) 661-7727

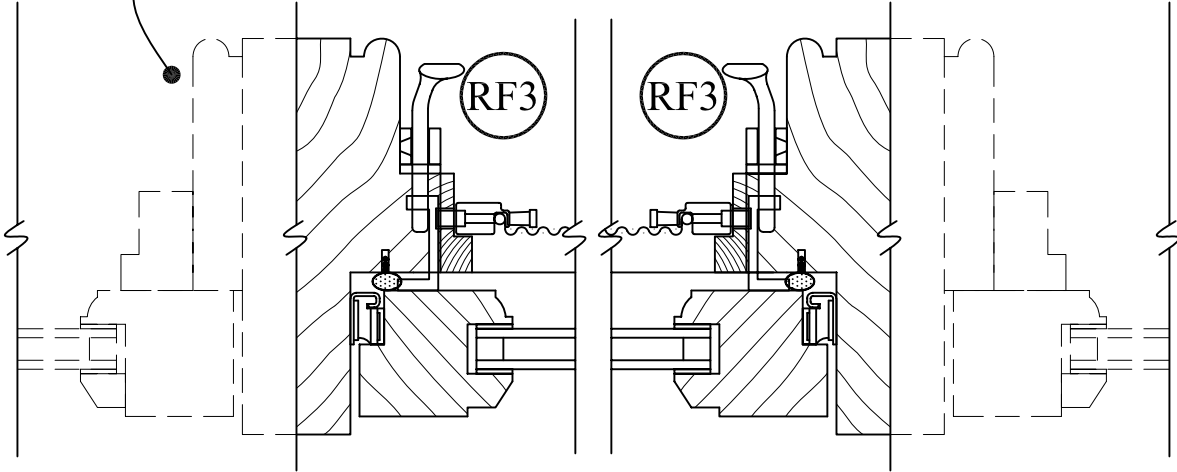
Scale: 3/8" = 1"

Revision Date: 1-1-08

File Name:

RF2

SEE Fx DETAILS
FOR OPTIONS



REVIVAL SERIES AWNING SASH
(HORIZONTAL SECTION)



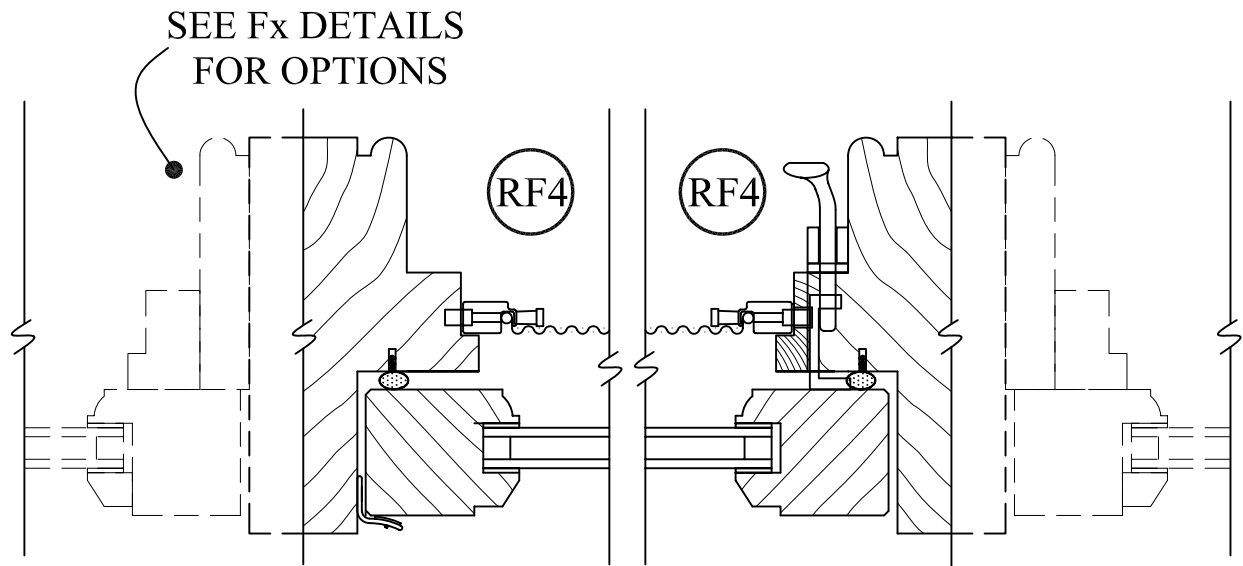
132 Ashmore Drive
Leola, Pennsylvania 17540
(717) 661-7520 Fax (717) 661-7727

Scale: 3/8" = 1"

Revision Date: 1-1-08

File Name:

RF3



REVIVAL SERIES CASEMENT SASH
(HORIZONTAL SECTION)



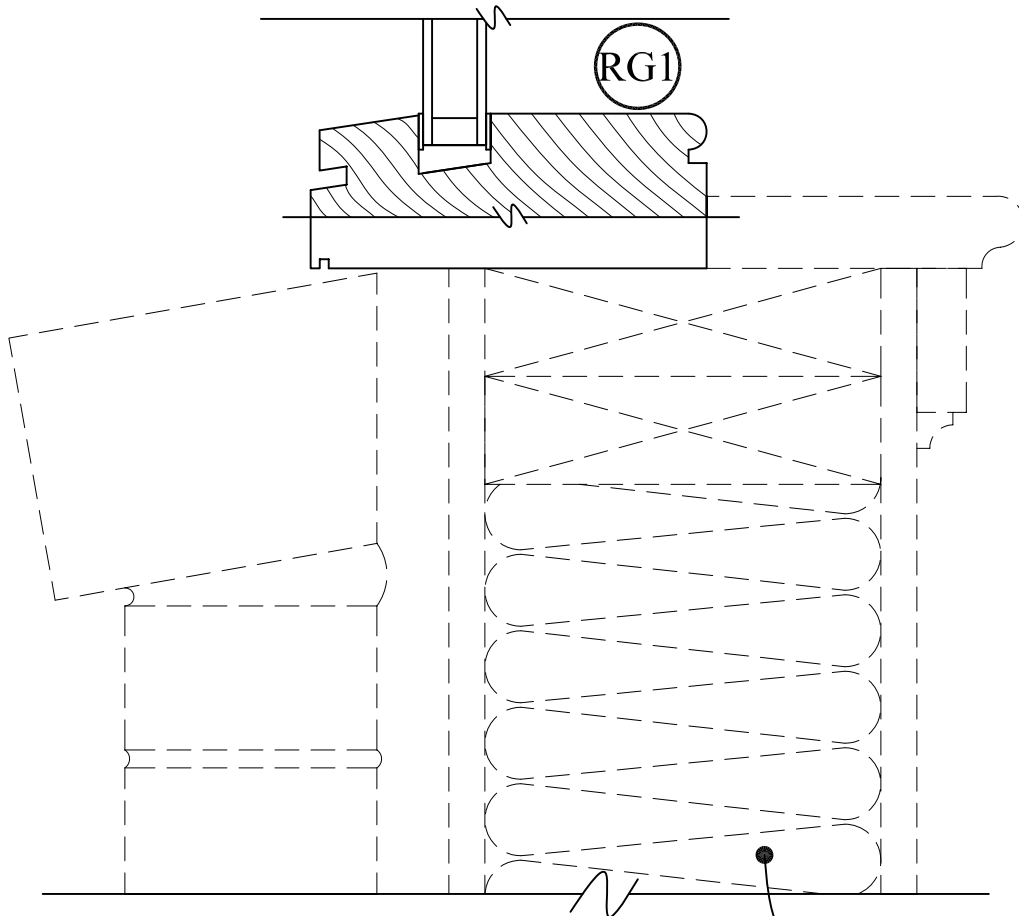
132 Ashmore Drive
Leola, Pennsylvania 17540
(717) 661-7520 Fax (717) 661-7727

Scale: 3/8" = 1"

Revision Date: 1-1-08

File Name:

RF4



SEE Hx & Ex DETAILS
FOR OPTIONS

REVIVAL SERIES DIRECT SET SILL



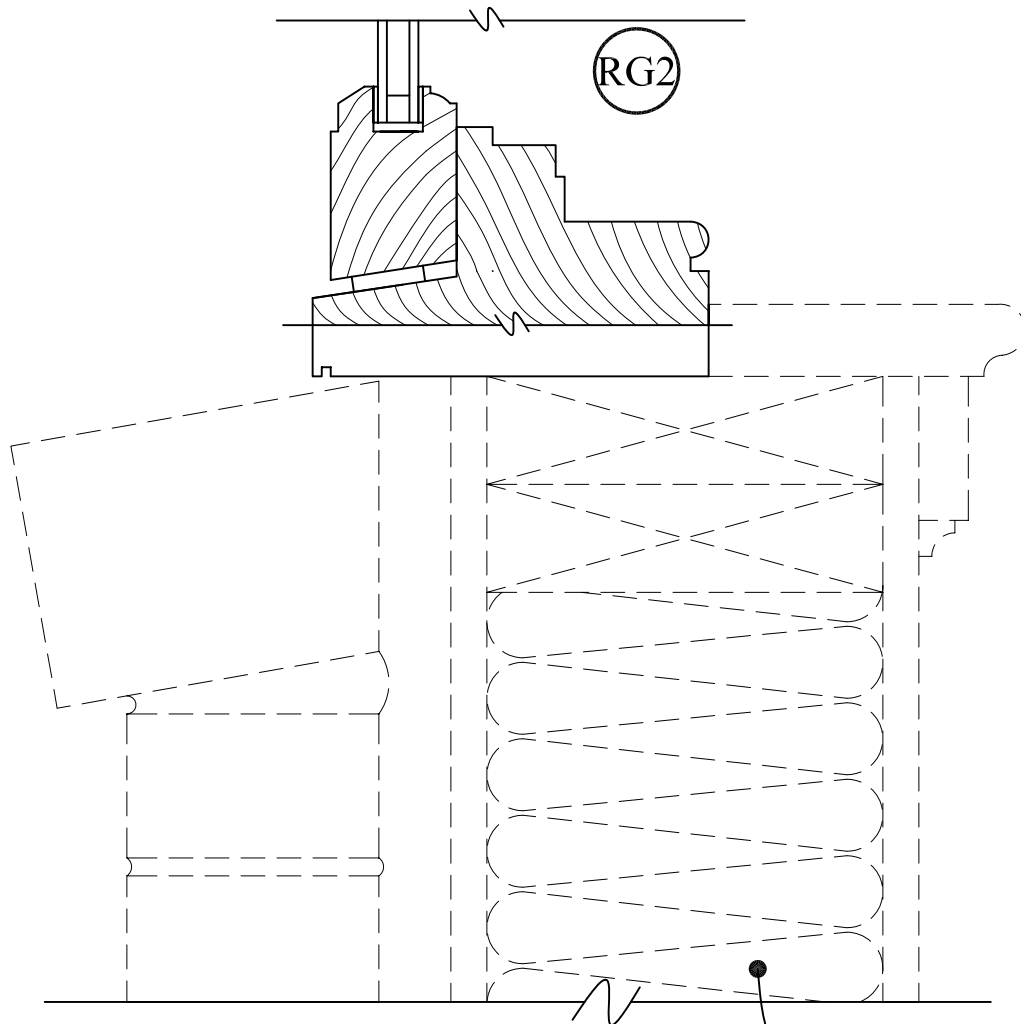
132 Ashmore Drive
Leola, Pennsylvania 17540
(717) 661-7520 Fax (717) 661-7727

Scale: 3/8" = 1"

Revision Date: 1-1-08

File Name:

RG1



SEE Hx & Ex DETAILS
FOR OPTIONS

REVIVAL SERIES FIXED SASH SILL



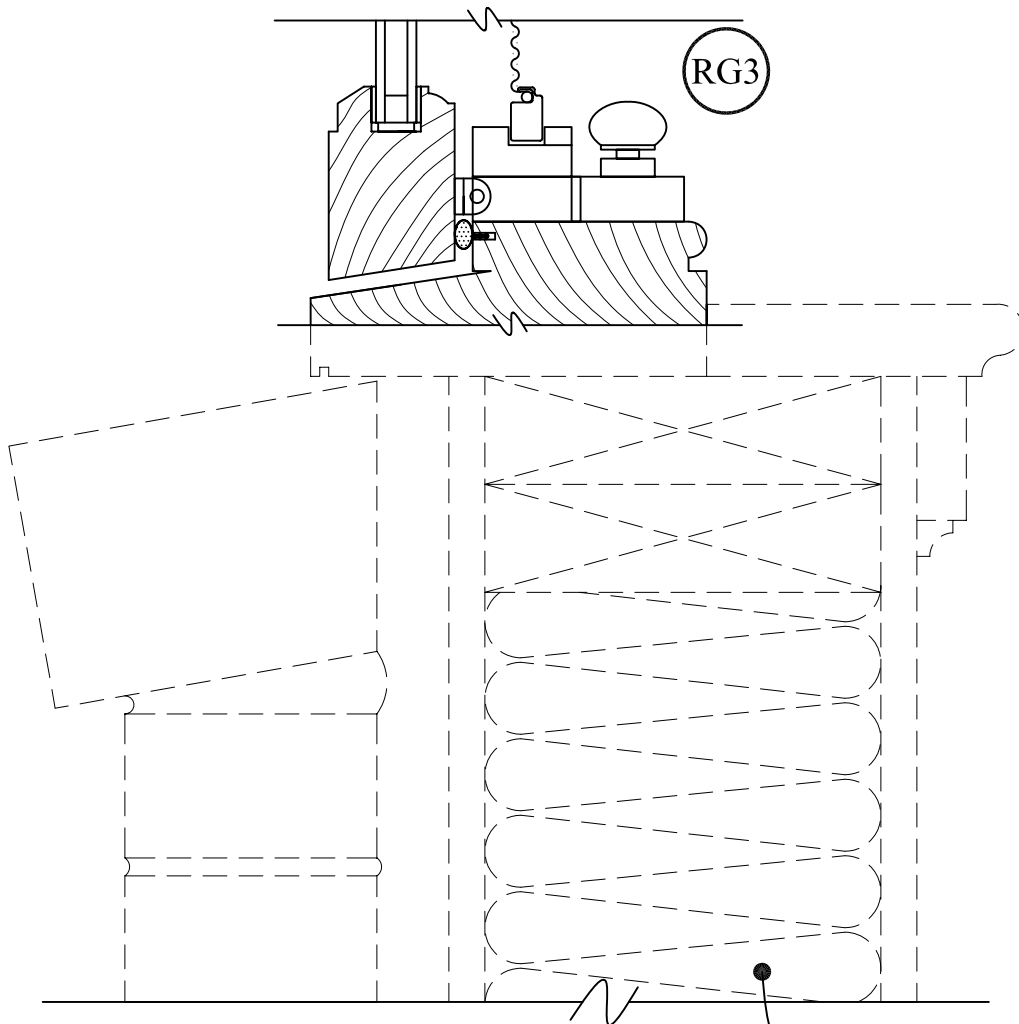
132 Ashmore Drive
Leola, Pennsylvania 17540
(717) 661-7520 Fax (717) 661-7727

Scale: 3/8" = 1"

Revision Date: 1-1-08

File Name:

RG2



SEE Hx & Ex DETAILS
FOR OPTIONS

REVIVAL SERIES AWNING SILL



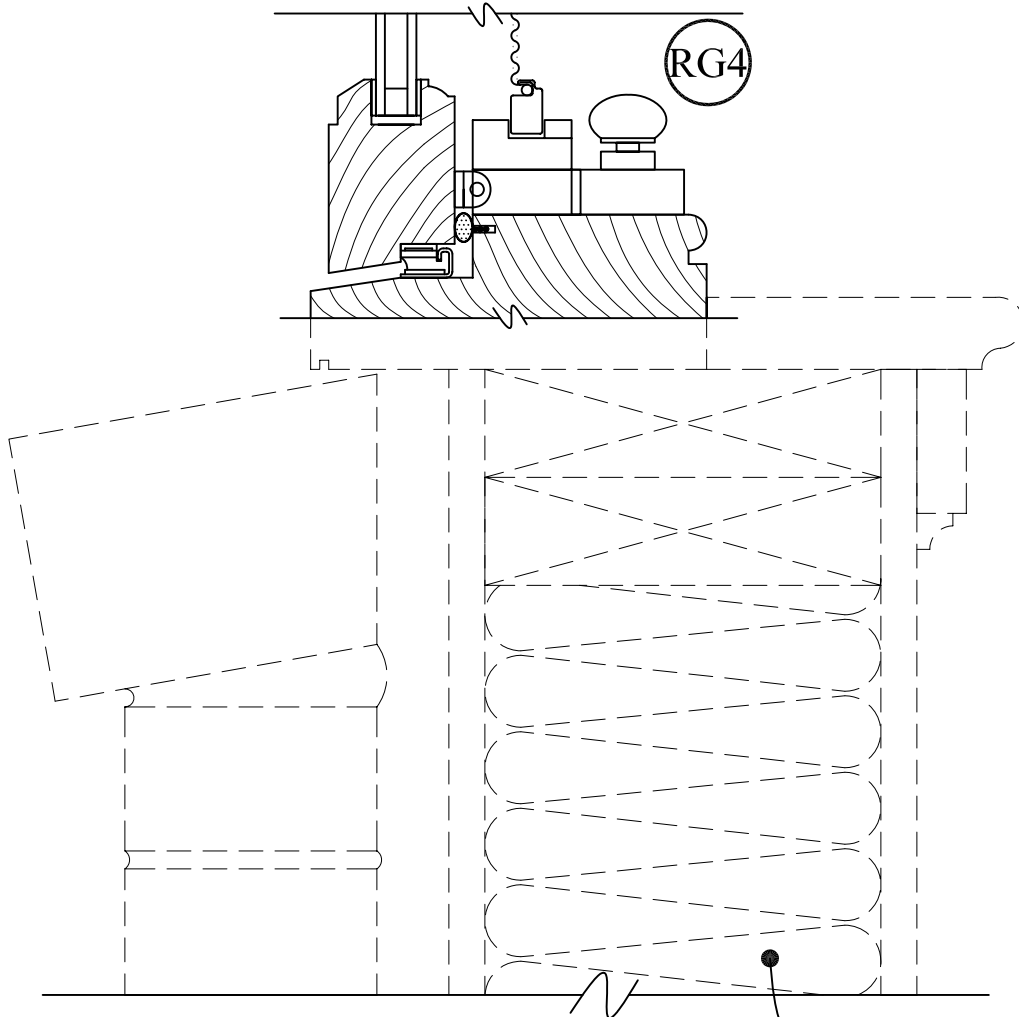
132 Ashmore Drive
Leola, Pennsylvania 17540
(717) 661-7520 Fax (717) 661-7727

Scale: 3/8" = 1"

Revision Date: 1-1-08

File Name:

RG3



SEE Hx & Ex DETAILS
FOR OPTIONS

REVIVAL SERIES CASEMENT SILL



132 Ashmore Drive
Leola, Pennsylvania 17540
(717) 661-7520 Fax (717) 661-7727

Scale: 3/8" = 1"

Revision Date: 1-1-08

File Name:

RG4