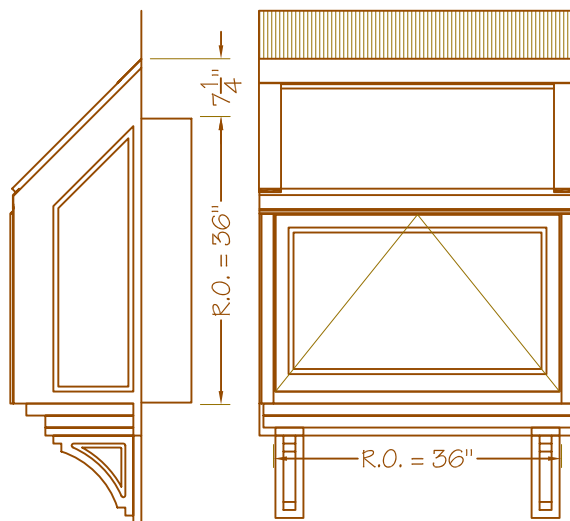


3030A SLEEVE MOUNT WITH 16" PROJECTION  
(SHOWN WITH SUGGESTED SIMULATED COLONIAL DIVIDED LITES)



3030A SLEEVE MOUNT WITH 16" PROJECTION  
AND COUNTERTOP EXTENSION  
(NO DIVIDED LITE AND ARCH OPTIONS SHOWN)

RENAISSANCE GARDEN WINDOWS  
ARE CUSTOM BUILT TO-ORDER.

THESE DRAWINGS AND DIMENSIONS ARE  
FOR ILLUSTRATION PURPOSES ONLY,  
ARE NOT FOR CONSTRUCTION, AND ARE  
SUBJECT TO CHANGE WITHOUT NOTICE

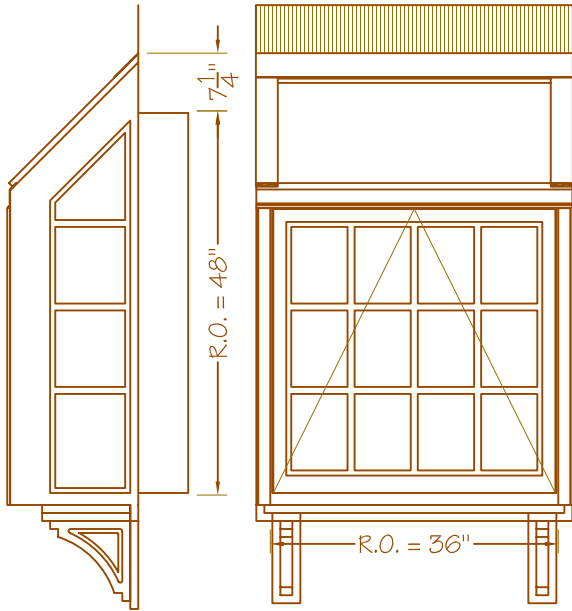


132 Ashmore Drive  
Leola, Pennsylvania 17540  
(717) 661-7520 Fax (717) 661-7727

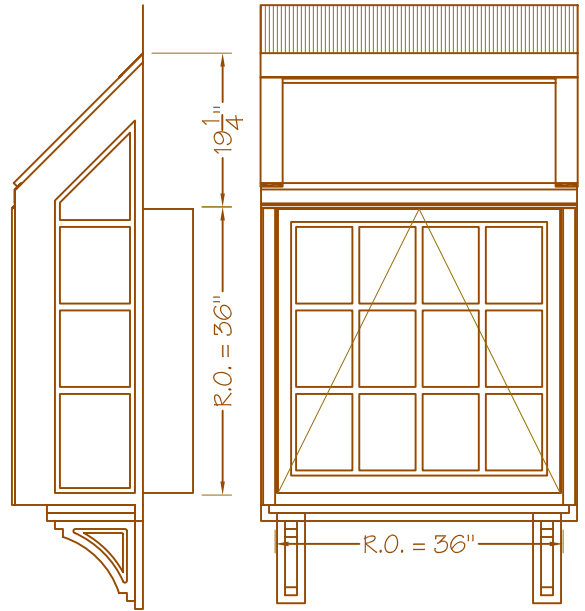
Garden Window

Scale: 1/2" = 1'-0"

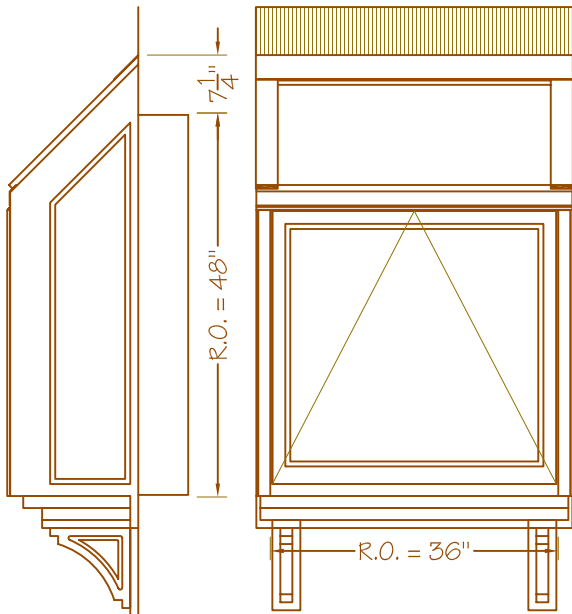
3030A



3040A SLEEVE MOUNT WITH 16" PROJECTION  
(SHOWN WITH SUGGESTED SIMULATED COLONIAL DIVIDED LITES)



3040A SLEEVE MOUNT 16" PROJECTION WITH 12" SHORTER R.O.  
(SHOWN WITH SUGGESTED SIMULATED COLONIAL DIVIDED LITES)



3040A SLEEVE MOUNT WITH 16" PROJECTION  
AND COUNTERTOP EXTENSION  
(NO DIVIDED LITE AND ARCH OPTIONS SHOWN)

RENAISSANCE GARDEN WINDOWS  
ARE CUSTOM BUILT TO-ORDER.

THESE DRAWINGS AND DIMENSIONS ARE  
FOR ILLUSTRATION PURPOSES ONLY,  
ARE NOT FOR CONSTRUCTION, AND ARE  
SUBJECT TO CHANGE WITHOUT NOTICE

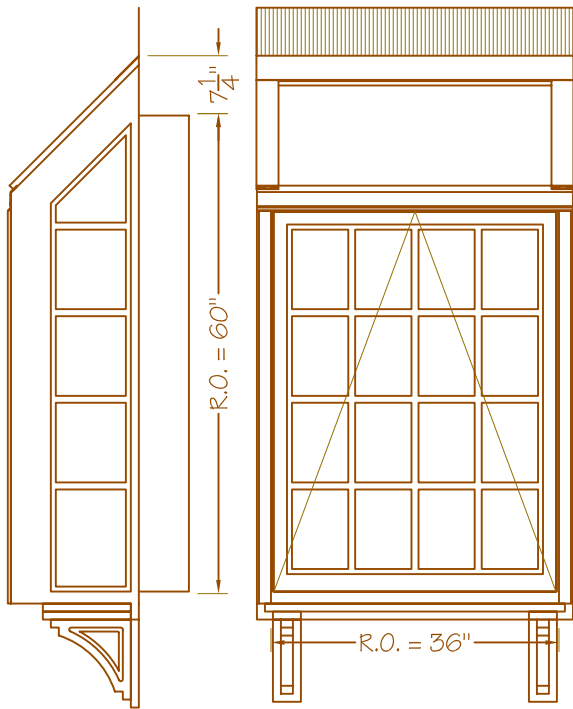


132 Ashmore Drive  
Leola, Pennsylvania 17540  
(717) 661-7520 Fax (717) 661-7727

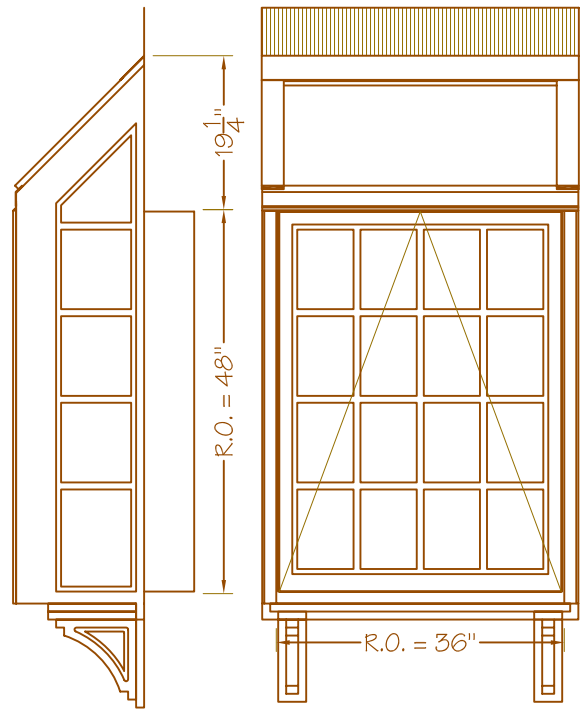
Garden Window

Scale: 1/2" = 1'-0"

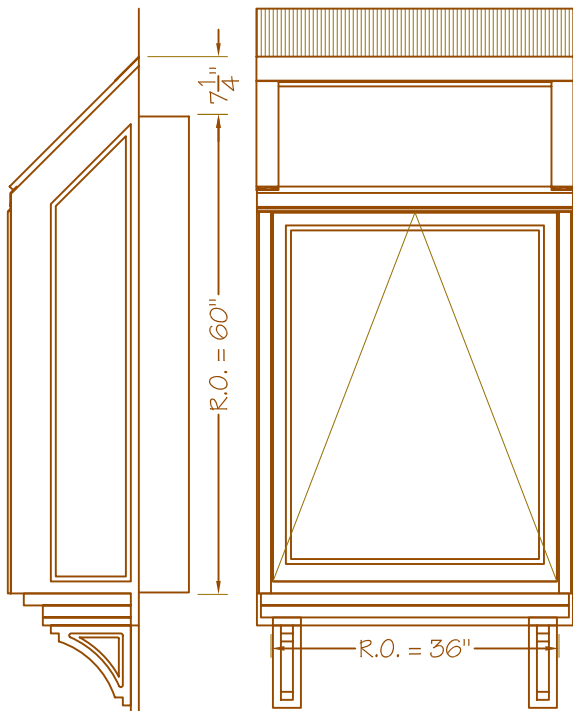
3040A



3050A SLEEVE MOUNT WITH 16" PROJECTION  
(SHOWN WITH SUGGESTED SIMULATED COLONIAL DIVIDED LITES)



3050A SLEEVE MOUNT 16" PROJECTION WITH 12" SHORTER R.O.  
(SHOWN WITH SUGGESTED SIMULATED COLONIAL DIVIDED LITES)



3050A SLEEVE MOUNT WITH 16" PROJECTION  
AND COUNTERTOP EXTENSION  
(NO DIVIDED LITE AND ARCH OPTIONS SHOWN)

RENAISSANCE GARDEN WINDOWS  
ARE CUSTOM BUILT TO-ORDER.

THESE DRAWINGS AND DIMENSIONS ARE  
FOR ILLUSTRATION PURPOSES ONLY,  
ARE NOT FOR CONSTRUCTION, AND ARE  
SUBJECT TO CHANGE WITHOUT NOTICE



132 Ashmore Drive  
Leola, Pennsylvania 17540  
(717) 661-7520 Fax (717) 661-7727

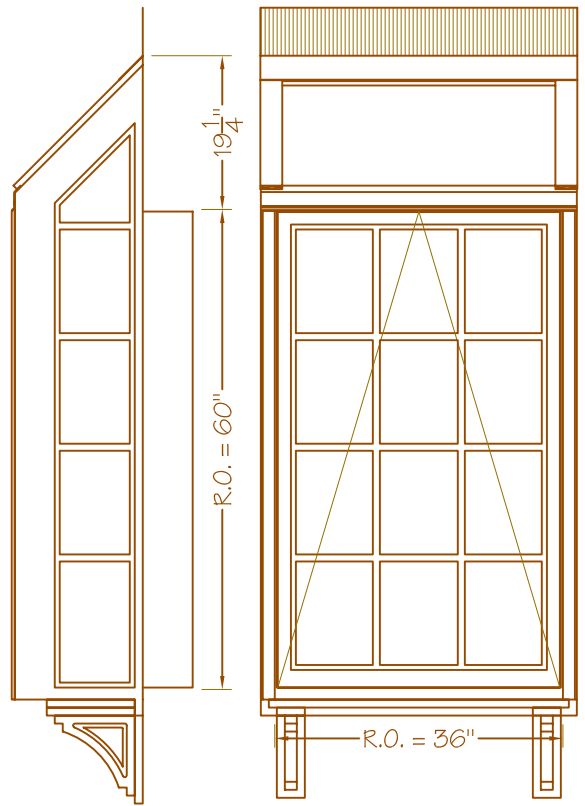
Garden Window

Scale: 1/2" = 1'-0"

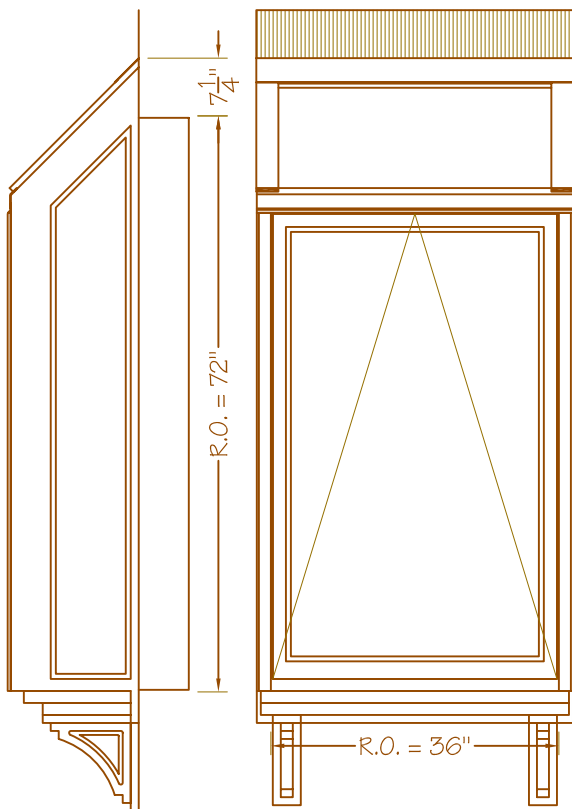
3050A



3060A SLEEVE MOUNT WITH 16" PROJECTION  
(SHOWN WITH SUGGESTED SIMULATED COLONIAL DIVIDED LITES)



3060A SLEEVE MOUNT 16" PROJECTION WITH 12" SHORTER R.O.  
(SHOWN WITH SUGGESTED SIMULATED COLONIAL DIVIDED LITES)



3060A SLEEVE MOUNT WITH 16" PROJECTION  
AND COUNTERTOP EXTENSION  
(NO DIVIDED LITE AND ARCH OPTIONS SHOWN)

RENAISSANCE GARDEN WINDOWS  
ARE CUSTOM BUILT TO-ORDER.

THESE DRAWINGS AND DIMENSIONS ARE  
FOR ILLUSTRATION PURPOSES ONLY,  
ARE NOT FOR CONSTRUCTION, AND ARE  
SUBJECT TO CHANGE WITHOUT NOTICE

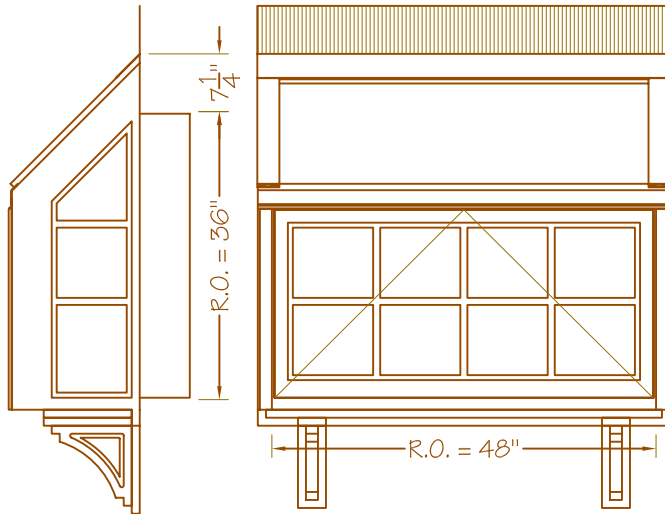


132 Ashmore Drive  
Leola, Pennsylvania 17540  
(717) 661-7520 Fax (717) 661-7727

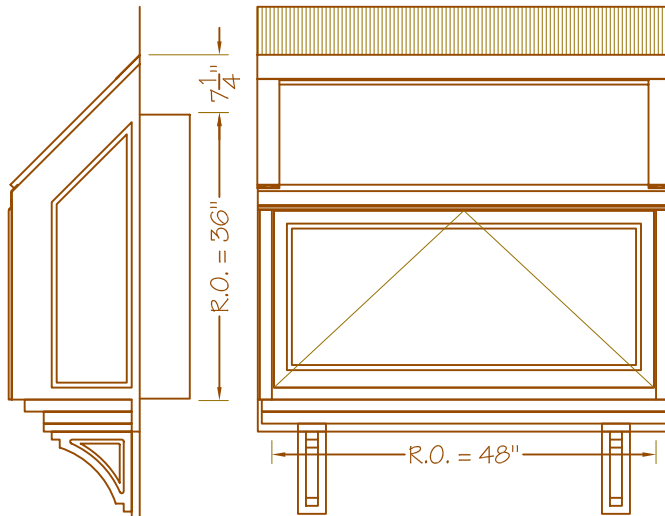
Garden Window

Scale: 1/2" = 1'-0"

3060A



4030A SLEEVE MOUNT WITH 16" PROJECTION  
(SHOWN WITH SUGGESTED SIMULATED COLONIAL DIVIDED LITES)



4030A SLEEVE MOUNT WITH 16" PROJECTION  
AND COUNTERTOP EXTENSION  
(NO DIVIDED LITE AND ARCH OPTIONS SHOWN)

RENAISSANCE GARDEN WINDOWS  
ARE CUSTOM BUILT TO-ORDER.

THESE DRAWINGS AND DIMENSIONS ARE  
FOR ILLUSTRATION PURPOSES ONLY,  
ARE NOT FOR CONSTRUCTION, AND ARE  
SUBJECT TO CHANGE WITHOUT NOTICE

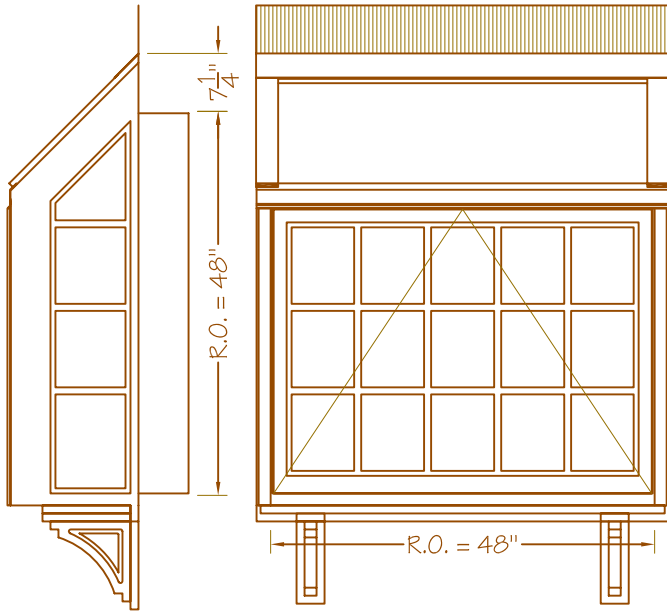


132 Ashmore Drive  
Leola, Pennsylvania 17540  
(717) 661-7520 Fax (717) 661-7727

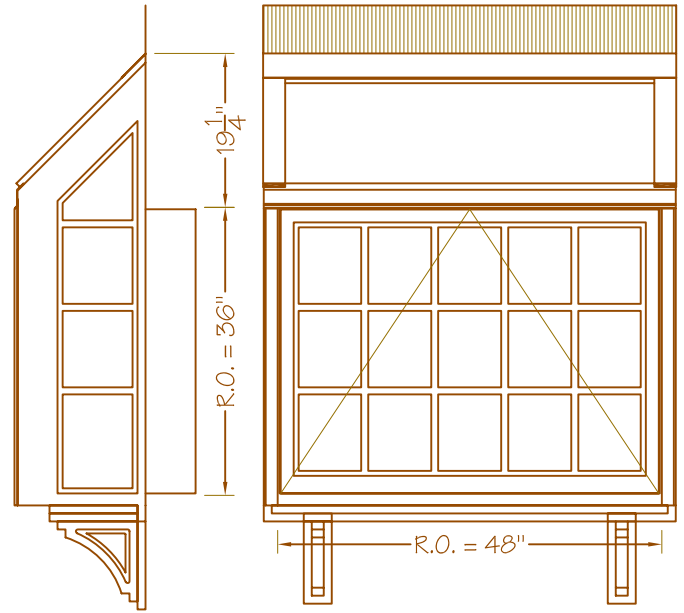
Garden Window

Scale: 1/2" = 1'-0"

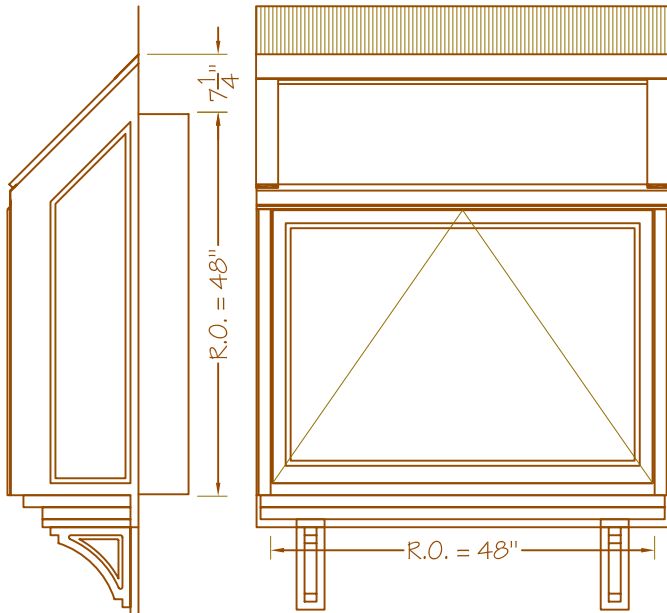
4030A



4040A SLEEVE MOUNT WITH 16" PROJECTION  
(SHOWN WITH SUGGESTED SIMULATED COLONIAL DIVIDED LITES)



4040A SLEEVE MOUNT 16" PROJECTION WITH 12" SHORTER R.O.  
(SHOWN WITH SUGGESTED SIMULATED COLONIAL DIVIDED LITES)



4040A SLEEVE MOUNT WITH 16" PROJECTION  
AND COUNTERTOP EXTENSION  
(NO DIVIDED LITE AND ARCH OPTIONS SHOWN)

RENAISSANCE GARDEN WINDOWS  
ARE CUSTOM BUILT TO-ORDER.

THESE DRAWINGS AND DIMENSIONS ARE  
FOR ILLUSTRATION PURPOSES ONLY,  
ARE NOT FOR CONSTRUCTION, AND ARE  
SUBJECT TO CHANGE WITHOUT NOTICE

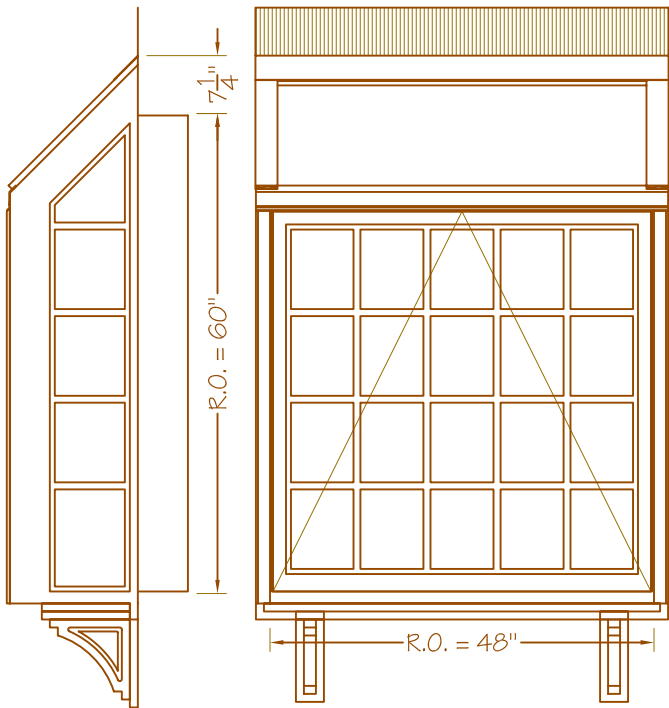


132 Ashmore Drive  
Leola, Pennsylvania 17540  
(717) 661-7520 Fax (717) 661-7727

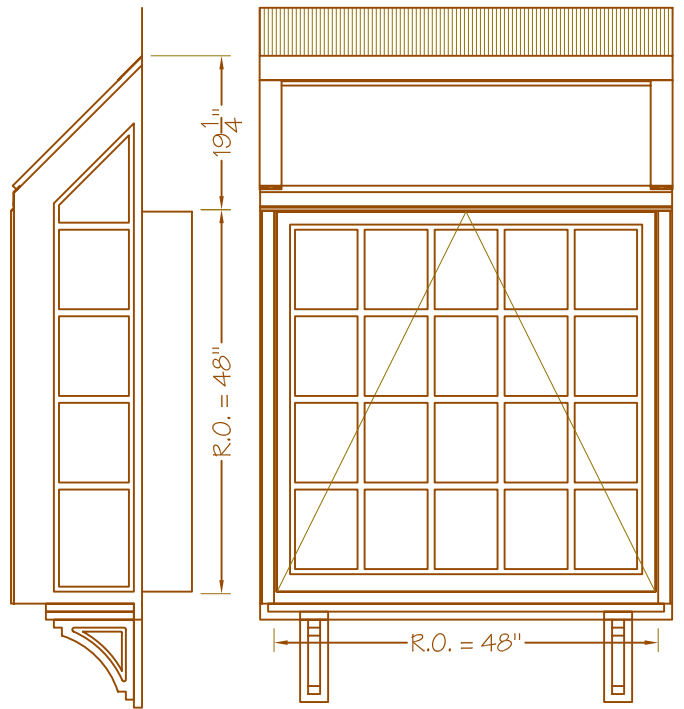
Garden Window

Scale: 1/2" = 1'-0"

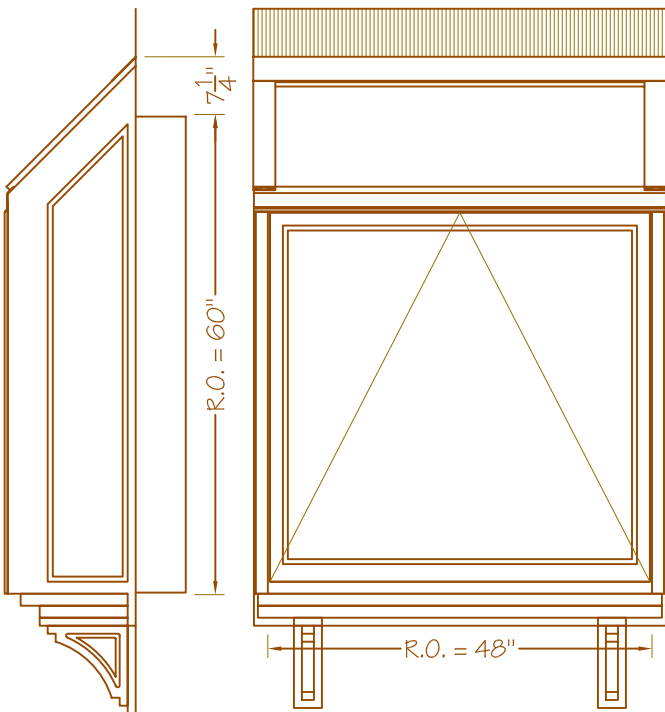
4040A



4050A SLEEVE MOUNT WITH 16" PROJECTION  
(SHOWN WITH SUGGESTED SIMULATED COLONIAL DIVIDED LITES)



4050A SLEEVE MOUNT 16" PROJECTION WITH 12" SHORTER R.O.  
(SHOWN WITH SUGGESTED SIMULATED COLONIAL DIVIDED LITES)



4050A SLEEVE MOUNT WITH 16" PROJECTION  
AND COUNTERTOP EXTENSION  
(NO DIVIDED LITE AND ARCH OPTIONS SHOWN)

RENAISSANCE GARDEN WINDOWS  
ARE CUSTOM BUILT TO-ORDER.

THESE DRAWINGS AND DIMENSIONS ARE  
FOR ILLUSTRATION PURPOSES ONLY,  
ARE NOT FOR CONSTRUCTION, AND ARE  
SUBJECT TO CHANGE WITHOUT NOTICE

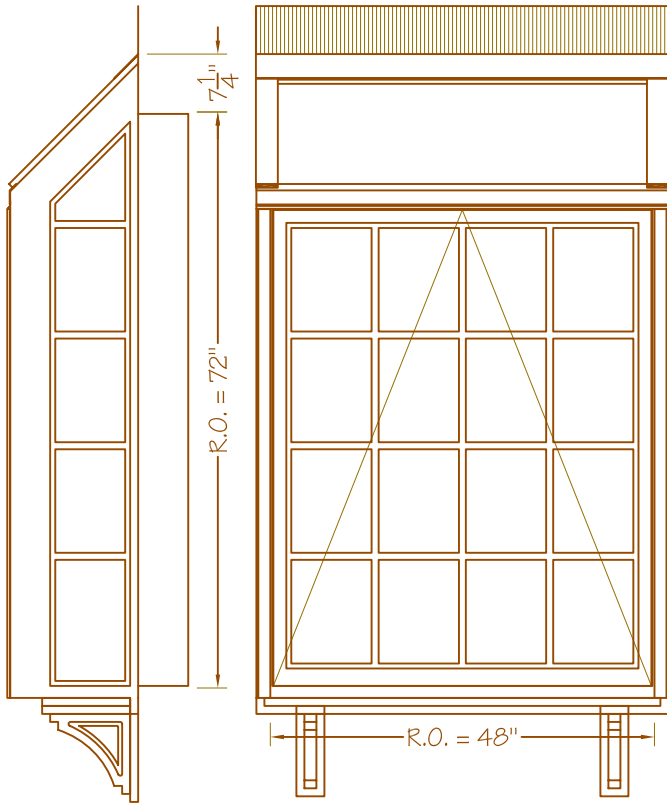


132 Ashmore Drive  
Leola, Pennsylvania 17540  
(717) 661-7520 Fax (717) 661-7727

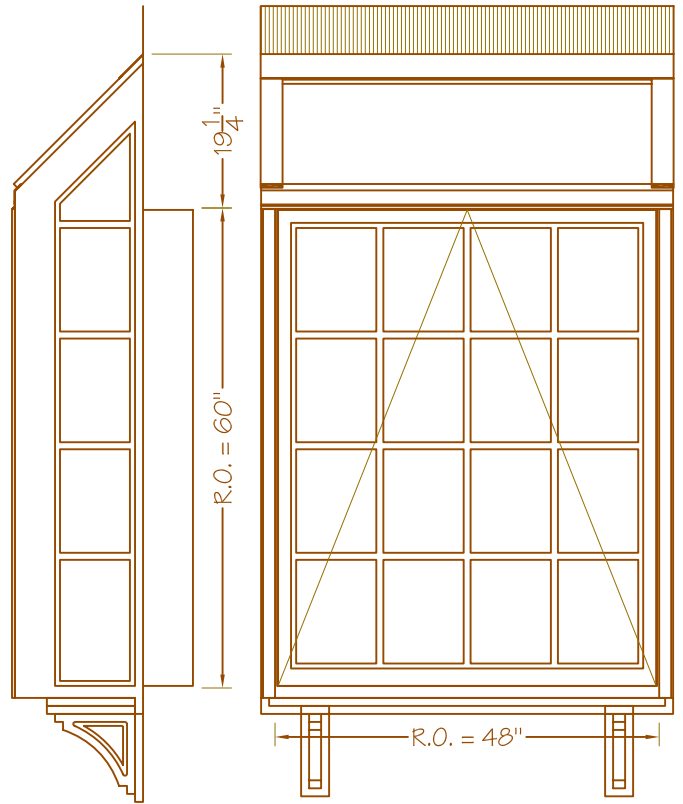
Garden Window

Scale: 1/2" = 1'-0"

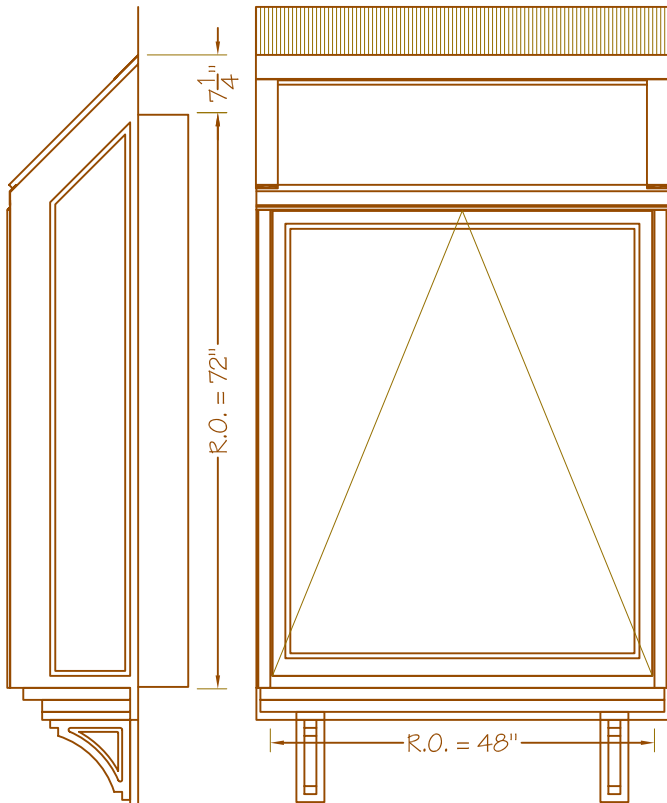
4050A



4060A SLEEVE MOUNT WITH 16" PROJECTION  
(SHOWN WITH SUGGESTED SIMULATED COLONIAL DIVIDED LITES)



4060A SLEEVE MOUNT 16" PROJECTION WITH 12" SHORTER R.O.  
(SHOWN WITH SUGGESTED SIMULATED COLONIAL DIVIDED LITES)



4060A SLEEVE MOUNT WITH 16" PROJECTION  
AND COUNTERTOP EXTENSION  
(NO DIVIDED LITE AND ARCH OPTIONS SHOWN)

RENAISSANCE GARDEN WINDOWS  
ARE CUSTOM BUILT TO-ORDER.

THESE DRAWINGS AND DIMENSIONS ARE  
FOR ILLUSTRATION PURPOSES ONLY,  
ARE NOT FOR CONSTRUCTION, AND ARE  
SUBJECT TO CHANGE WITHOUT NOTICE



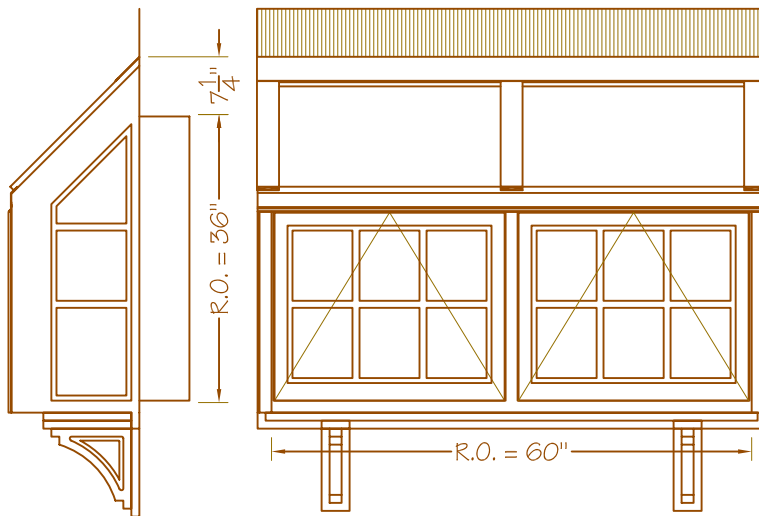
132 Ashmore Drive  
Leola, Pennsylvania 17540  
(717) 661-7520 Fax (717) 661-7727

Garden Window

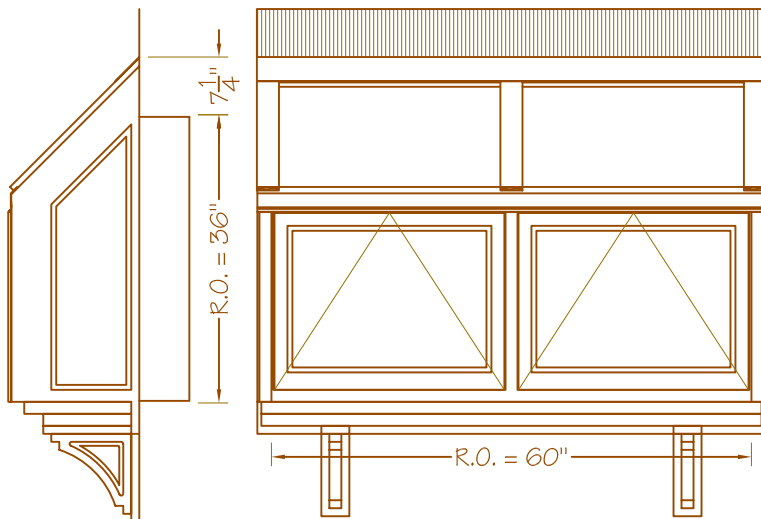
Scale: 1/2" = 1'-0"

4060A





5030A SLEEVE MOUNT WITH 16" PROJECTION  
(SHOWN WITH SUGGESTED SIMULATED COLONIAL DIVIDED LITES)



5030A SLEEVE MOUNT WITH 16" PROJECTION  
AND COUNTERTOP EXTENSION  
(NO DIVIDED LITE AND ARCH OPTIONS SHOWN)

RENAISSANCE GARDEN WINDOWS  
ARE CUSTOM BUILT TO-ORDER.

THESE DRAWINGS AND DIMENSIONS ARE  
FOR ILLUSTRATION PURPOSES ONLY,  
ARE NOT FOR CONSTRUCTION, AND ARE  
SUBJECT TO CHANGE WITHOUT NOTICE

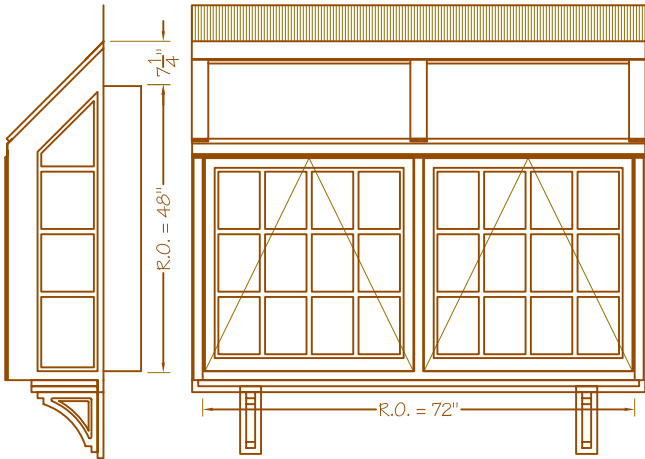


132 Ashmore Drive  
Leola, Pennsylvania 17540  
(717) 661-7520 Fax (717) 661-7727

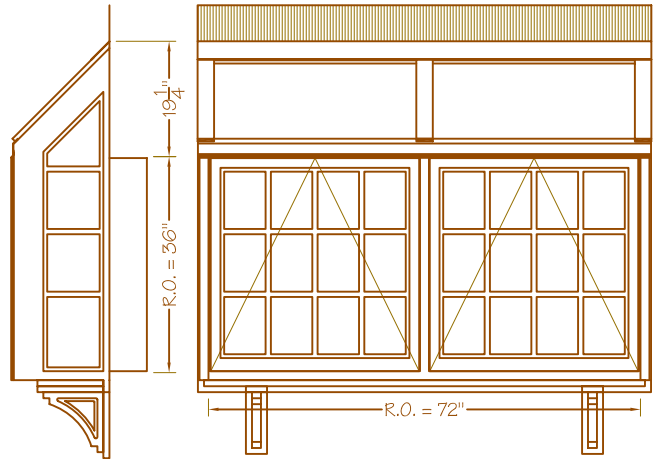
Garden Window

Scale: 1/2" = 1'-0"

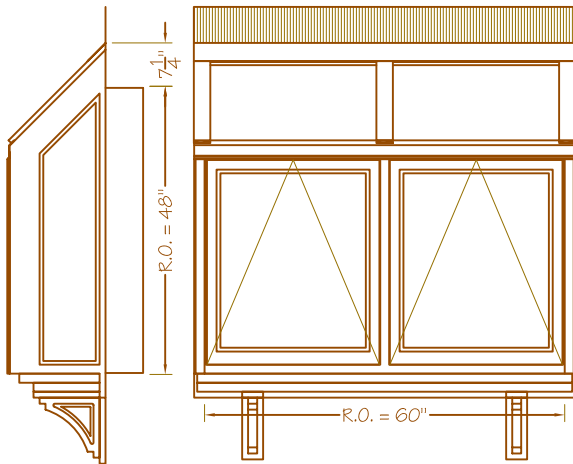
5030A



6040A SLEEVE MOUNT WITH 16" PROJECTION  
(SHOWN WITH SUGGESTED SIMULATED COLONIAL DIVIDED LITES)



6040A SLEEVE MOUNT 16" PROJECTION WITH 12" SHORTER R.O.  
(SHOWN WITH SUGGESTED SIMULATED COLONIAL DIVIDED LITES)



5040A SLEEVE MOUNT WITH 16" PROJECTION  
AND COUNTERTOP EXTENSION  
(NO DIVIDED LITE AND ARCH OPTIONS SHOWN)

RENAISSANCE GARDEN WINDOWS  
ARE CUSTOM BUILT TO-ORDER.

THESE DRAWINGS AND DIMENSIONS ARE  
FOR ILLUSTRATION PURPOSES ONLY,  
ARE NOT FOR CONSTRUCTION, AND ARE  
SUBJECT TO CHANGE WITHOUT NOTICE

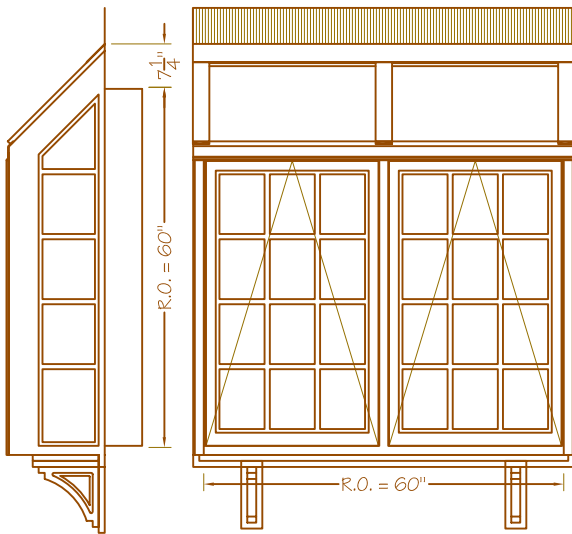


132 Ashmore Drive  
Leola, Pennsylvania 17540  
(717) 661-7520 Fax (717) 661-7727

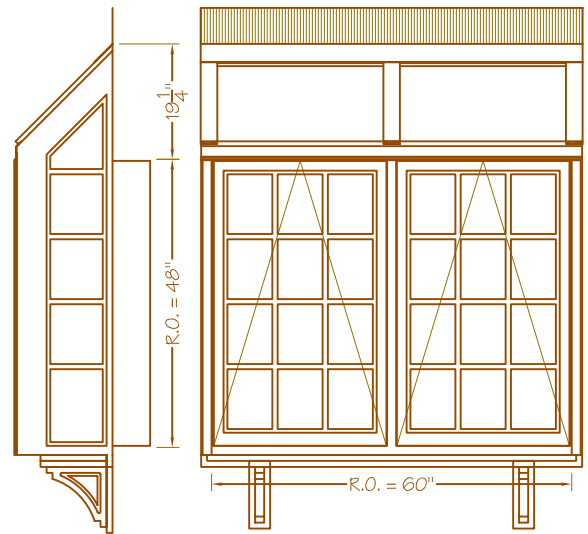
Garden Window

Scale: 3/8" = 1'-0"

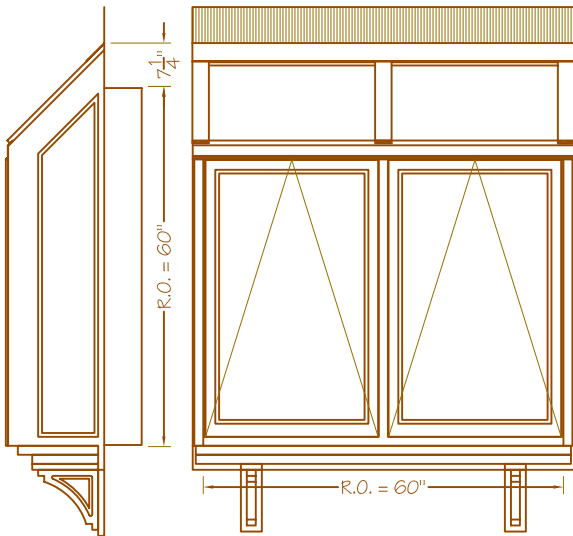
5040A



5050A SLEEVE MOUNT WITH 16" PROJECTION  
(SHOWN WITH SUGGESTED SIMULATED COLONIAL DIVIDED LITES)



5050A SLEEVE MOUNT 16" PROJECTION WITH 12" SHORTER R.O.  
(SHOWN WITH SUGGESTED SIMULATED COLONIAL DIVIDED LITES)



5050A SLEEVE MOUNT WITH 16" PROJECTION  
AND COUNTERTOP EXTENSION  
(NO DIVIDED LITE AND ARCH OPTIONS SHOWN)

RENAISSANCE GARDEN WINDOWS  
ARE CUSTOM BUILT TO-ORDER.

THESE DRAWINGS AND DIMENSIONS ARE  
FOR ILLUSTRATION PURPOSES ONLY,  
ARE NOT FOR CONSTRUCTION, AND ARE  
SUBJECT TO CHANGE WITHOUT NOTICE

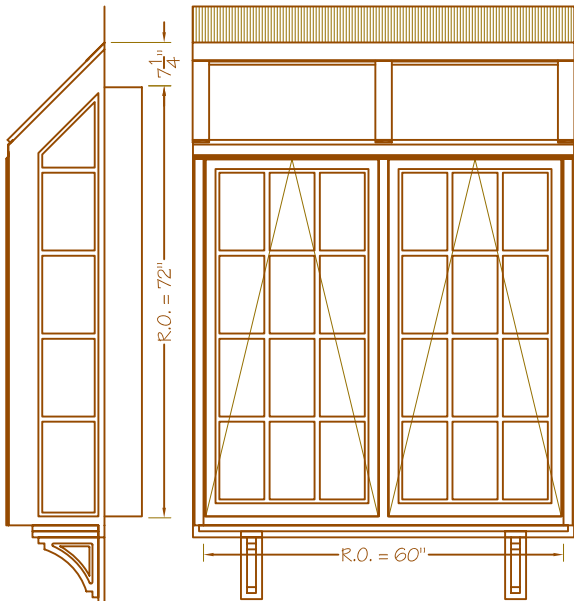


132 Ashmore Drive  
Leola, Pennsylvania 17540  
(717) 661-7520 Fax (717) 661-7727

Garden Window

Scale: 3/8" = 1'-0"

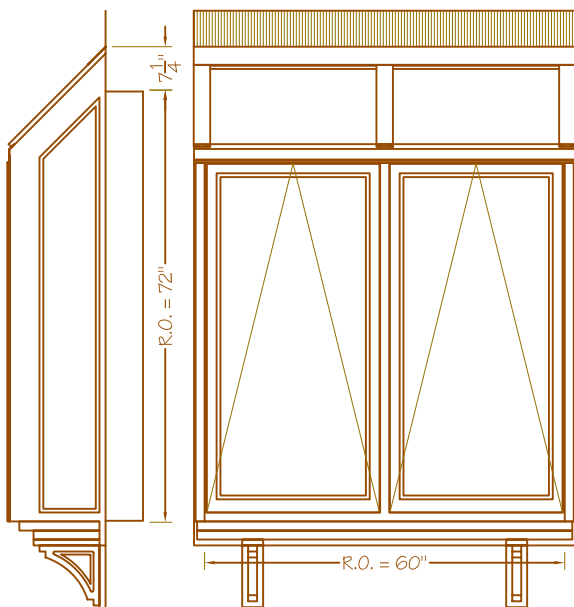
5050A



5060A SLEEVE MOUNT WITH 16" PROJECTION  
(SHOWN WITH SUGGESTED SIMULATED COLONIAL DIVIDED LITES)



5060A SLEEVE MOUNT 16" PROJECTION WITH 12" SHORTER R.O.  
(SHOWN WITH SUGGESTED SIMULATED COLONIAL DIVIDED LITES)



5060A SLEEVE MOUNT WITH 16" PROJECTION  
AND COUNTERTOP EXTENSION  
(NO DIVIDED LITE AND ARCH OPTIONS SHOWN)

RENAISSANCE GARDEN WINDOWS  
ARE CUSTOM BUILT TO-ORDER.

THESE DRAWINGS AND DIMENSIONS ARE  
FOR ILLUSTRATION PURPOSES ONLY,  
ARE NOT FOR CONSTRUCTION, AND ARE  
SUBJECT TO CHANGE WITHOUT NOTICE

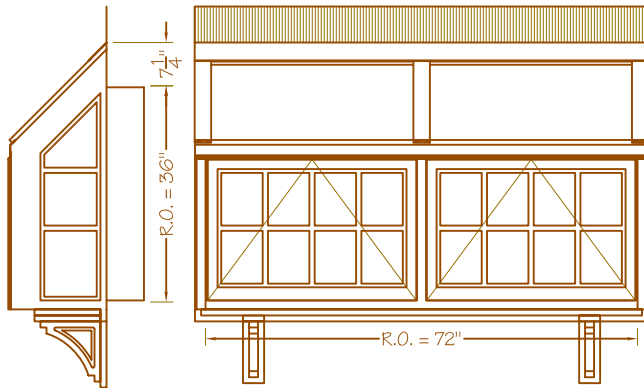


132 Ashmore Drive  
Leola, Pennsylvania 17540  
(717) 661-7520 Fax (717) 661-7727

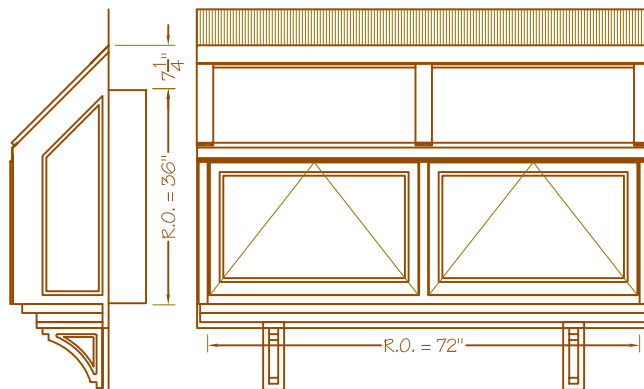
Garden Window

Scale: 3/8" = 1'-0"

5060A



6030A SLEEVE MOUNT WITH 16" PROJECTION  
(SHOWN WITH SUGGESTED SIMULATED COLONIAL DIVIDED LITES)



6030A SLEEVE MOUNT WITH 16" PROJECTION  
AND COUNTERTOP EXTENTION  
(NO DIVIDED LITE AND ARCH OPTIONS SHOWN)

RENAISSANCE GARDEN WINDOWS  
ARE CUSTOM BUILT TO-ORDER.

THESE DRAWINGS AND DIMENSIONS ARE  
FOR ILLUSTRATION PURPOSES ONLY,  
ARE NOT FOR CONSTRUCTION, AND ARE  
SUBJECT TO CHANGE WITHOUT NOTICE

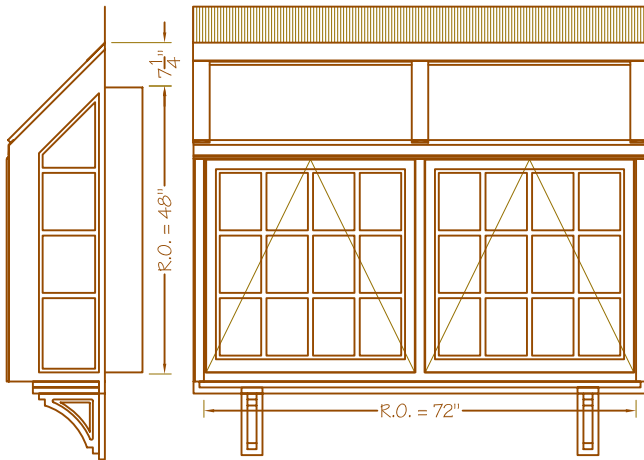


132 Ashmore Drive  
Leola, Pennsylvania 17540  
(717) 661-7520 Fax (717) 661-7727

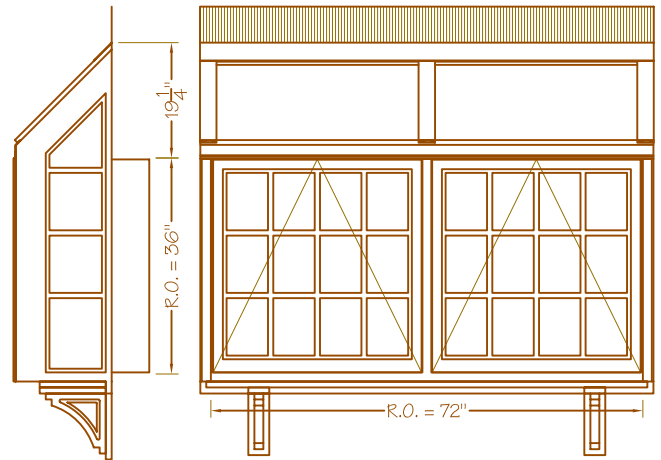
Garden Window

Scale: 3/8" = 1'-0"

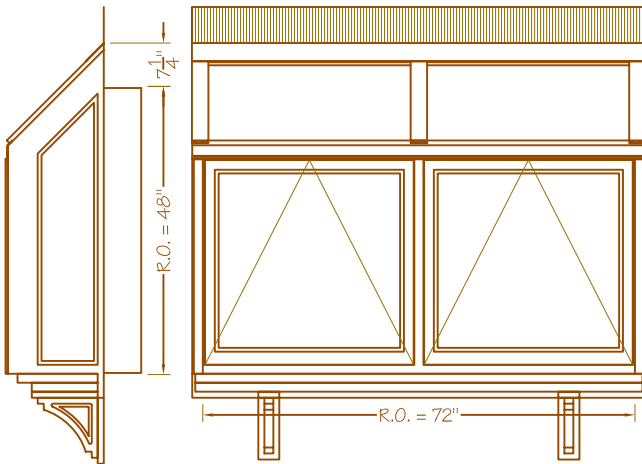
6030A



6040A SLEEVE MOUNT WITH 16" PROJECTION  
(SHOWN WITH SUGGESTED SIMULATED COLONIAL DIVIDED LITES)



6040A SLEEVE MOUNT 16" PROJECTION WITH 12" SHORTER R.O.  
(SHOWN WITH SUGGESTED SIMULATED COLONIAL DIVIDED LITES)



6040A SLEEVE MOUNT WITH 16" PROJECTION  
AND COUNTERTOP EXTENSION  
(NO DIVIDED LITE AND ARCH OPTIONS SHOWN)

RENAISSANCE GARDEN WINDOWS  
ARE CUSTOM BUILT TO-ORDER.

THESE DRAWINGS AND DIMENSIONS ARE  
FOR ILLUSTRATION PURPOSES ONLY,  
ARE NOT FOR CONSTRUCTION, AND ARE  
SUBJECT TO CHANGE WITHOUT NOTICE

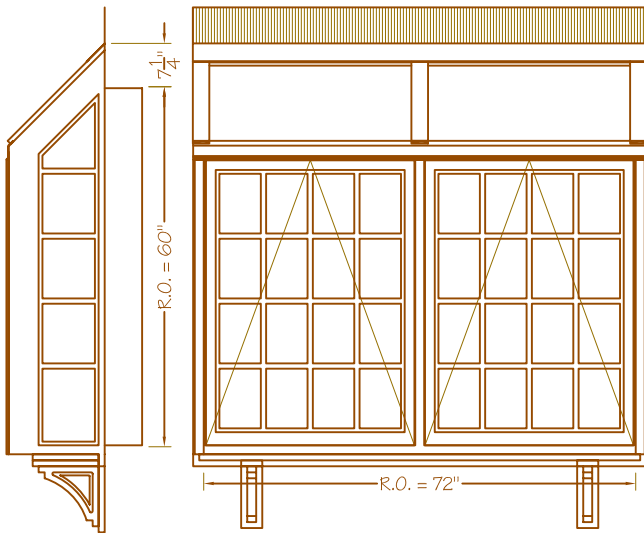


132 Ashmore Drive  
Leola, Pennsylvania 17540  
(717) 661-7520 Fax (717) 661-7727

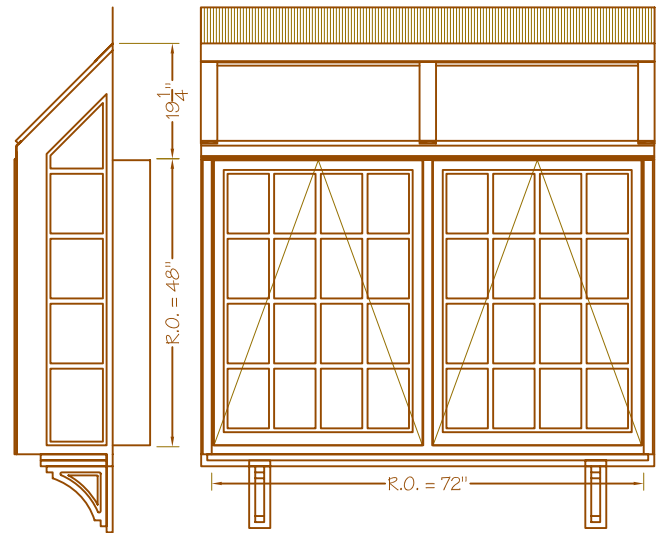
Garden Window

Scale: 3/8" = 1'-0"

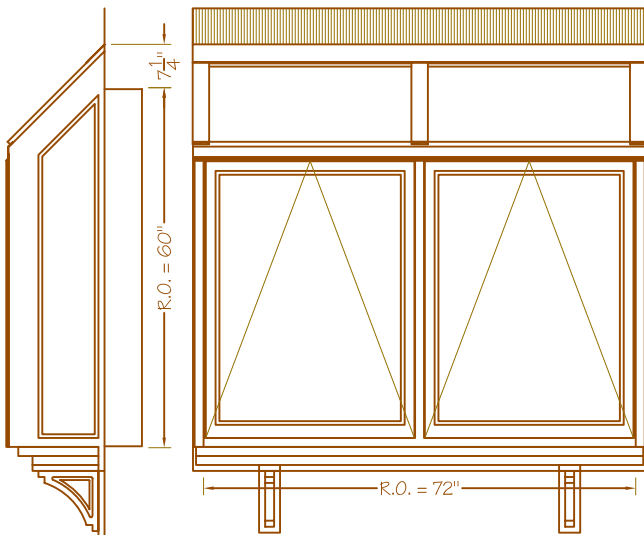
6040A



6050A SLEEVE MOUNT WITH 16" PROJECTION  
(SHOWN WITH SUGGESTED SIMULATED COLONIAL DIVIDED LITES)



6050A SLEEVE MOUNT 16" PROJECTION WITH 12" SHORTER R.O.  
(SHOWN WITH SUGGESTED SIMULATED COLONIAL DIVIDED LITES)



6050A SLEEVE MOUNT WITH 16" PROJECTION  
AND COUNTERTOP EXTENSION  
(NO DIVIDED LITE AND ARCH OPTIONS SHOWN)

RENAISSANCE GARDEN WINDOWS  
ARE CUSTOM BUILT TO-ORDER.

THESE DRAWINGS AND DIMENSIONS ARE  
FOR ILLUSTRATION PURPOSES ONLY,  
ARE NOT FOR CONSTRUCTION, AND ARE  
SUBJECT TO CHANGE WITHOUT NOTICE

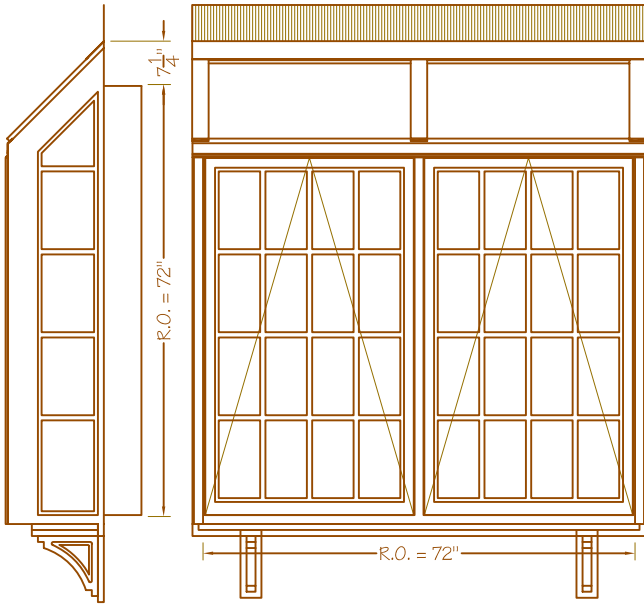


132 Ashmore Drive  
Leola, Pennsylvania 17540  
(717) 661-7520 Fax (717) 661-7727

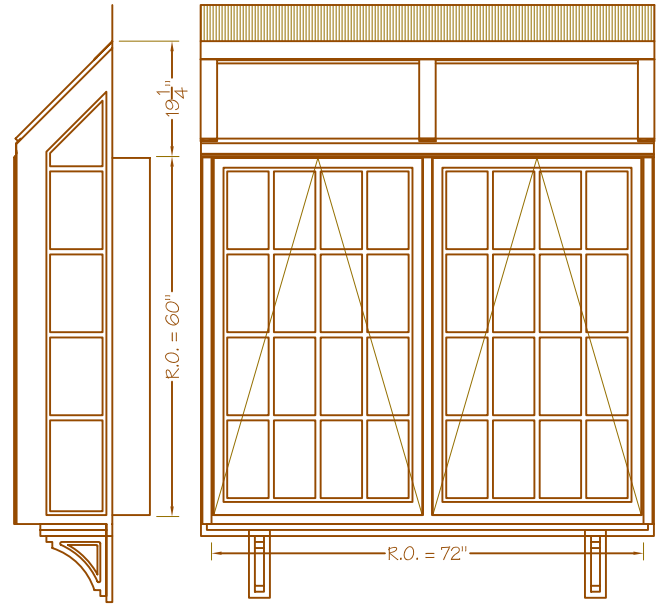
Garden Window

Scale: 3/8" = 1'-0"

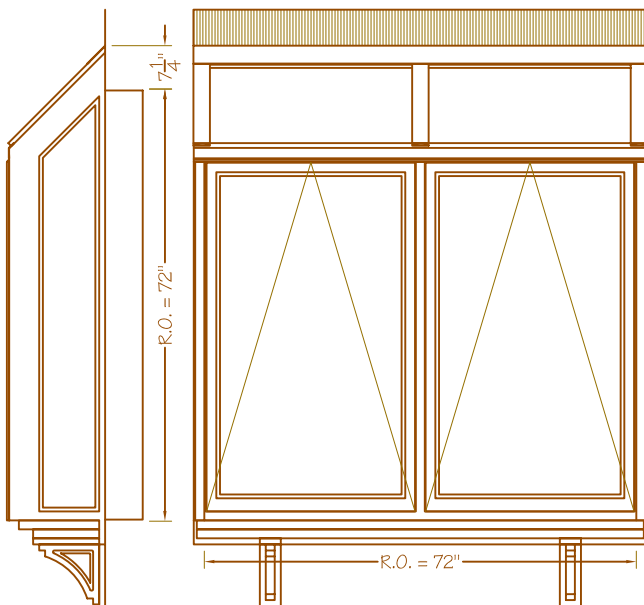
6050A



6060A SLEEVE MOUNT WITH 16" PROJECTION  
(SHOWN WITH SUGGESTED SIMULATED COLONIAL DIVIDED LITES)



6060A SLEEVE MOUNT 16" PROJECTION WITH 12" SHORTER R.O.  
(SHOWN WITH SUGGESTED SIMULATED COLONIAL DIVIDED LITES)



6060A SLEEVE MOUNT WITH 16" PROJECTION  
AND COUNTERTOP EXTENSION  
(NO DIVIDED LITE AND ARCH OPTIONS SHOWN)

RENAISSANCE GARDEN WINDOWS  
ARE CUSTOM BUILT TO-ORDER.

THESE DRAWINGS AND DIMENSIONS ARE  
FOR ILLUSTRATION PURPOSES ONLY,  
ARE NOT FOR CONSTRUCTION, AND ARE  
SUBJECT TO CHANGE WITHOUT NOTICE



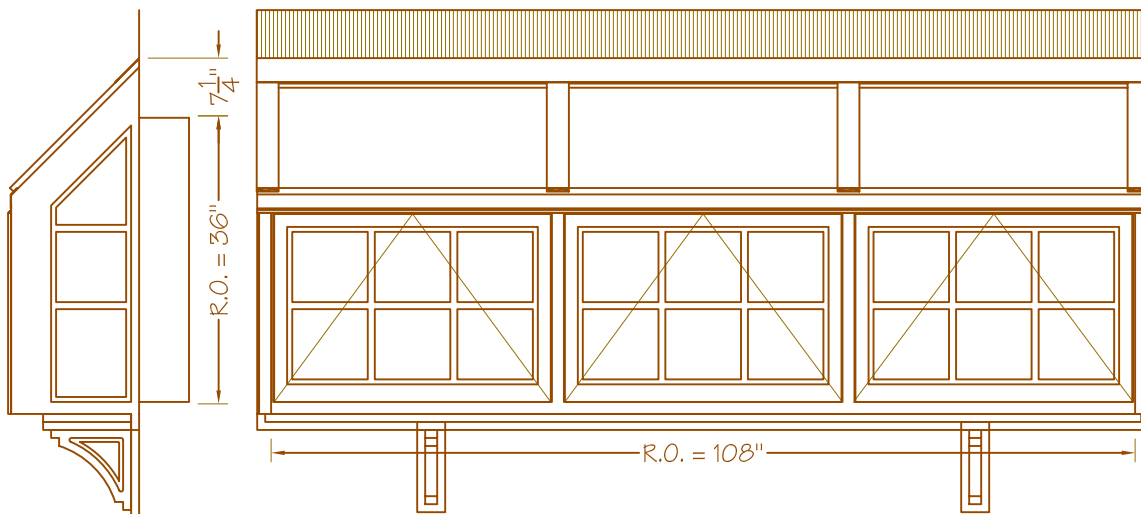
132 Ashmore Drive  
Leola, Pennsylvania 17540  
(717) 661-7520 Fax (717) 661-7727

Garden Window

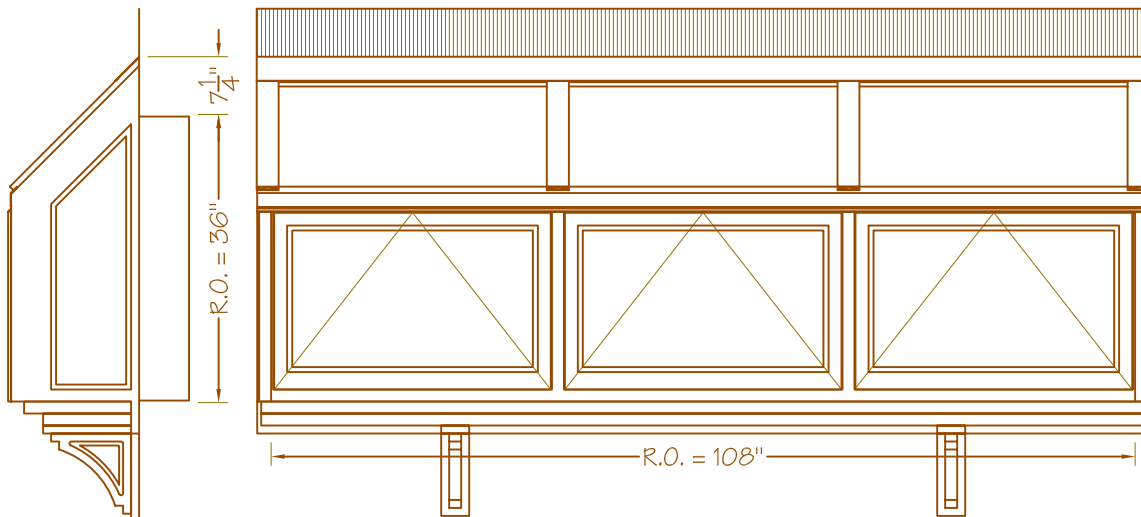
Scale: 3/8" = 1'-0"

6060A





9030A SLEEVE MOUNT WITH 16" PROJECTION  
(SHOWN WITH SUGGESTED SIMULATED COLONIAL DIVIDED LITES)



9030A SLEEVE MOUNT WITH 16" PROJECTION  
AND COUNTERTOP EXTENSION  
(NO DIVIDED LITE AND ARCH OPTIONS SHOWN)

RENAISSANCE GARDEN WINDOWS  
ARE CUSTOM BUILT TO-ORDER.

THESE DRAWINGS AND DIMENSIONS ARE  
FOR ILLUSTRATION PURPOSES ONLY,  
ARE NOT FOR CONSTRUCTION, AND ARE  
SUBJECT TO CHANGE WITHOUT NOTICE

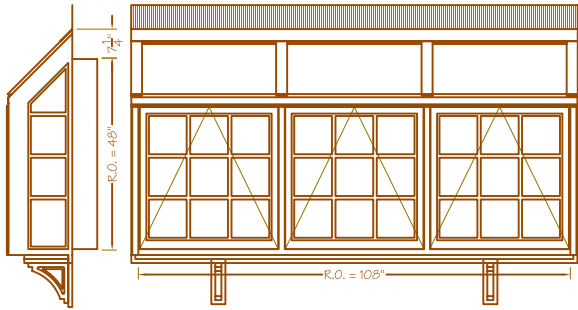


132 Ashmore Drive  
Leola, Pennsylvania 17540  
(717) 661-7520 Fax (717) 661-7727

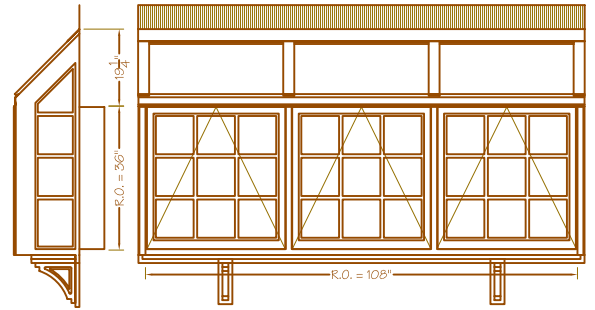
Garden Window

Scale: 1/2" = 1'-0"

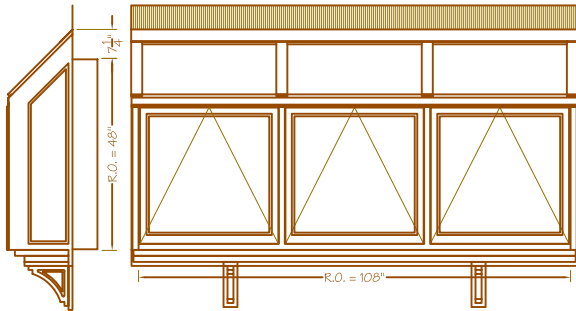
9030A



9040A SLEEVE MOUNT WITH 16" PROJECTION  
(SHOWN WITH SUGGESTED SIMULATED COLONIAL DIVIDED LITES)



9040A SLEEVE MOUNT 16" PROJECTION WITH 12" SHORTER R.O.  
(SHOWN WITH SUGGESTED SIMULATED COLONIAL DIVIDED LITES)



9040A SLEEVE MOUNT WITH 16" PROJECTION  
AND COUNTERTOP EXTENSION  
(NO DIVIDED LITE AND ARCH OPTIONS SHOWN)

RENAISSANCE GARDEN WINDOWS  
ARE CUSTOM BUILT TO-ORDER.

THESE DRAWINGS AND DIMENSIONS ARE  
FOR ILLUSTRATION PURPOSES ONLY,  
ARE NOT FOR CONSTRUCTION, AND ARE  
SUBJECT TO CHANGE WITHOUT NOTICE

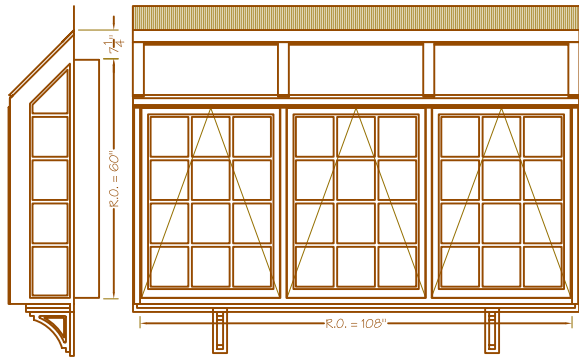


132 Ashmore Drive  
Leola, Pennsylvania 17540  
(717) 661-7520 Fax (717) 661-7727

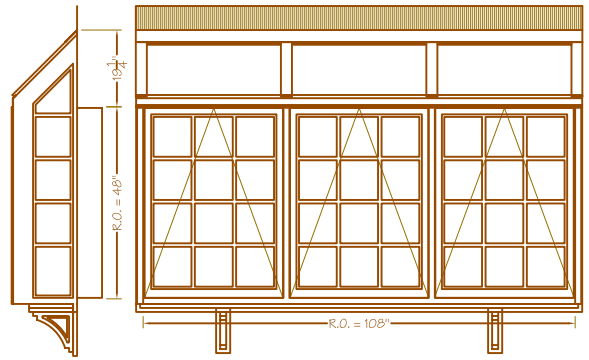
Garden Window

Scale: 1/4" = 1'-0"

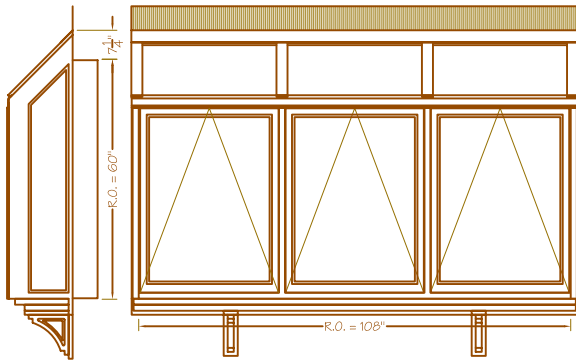
9040A



9050A SLEEVE MOUNT WITH 16" PROJECTION  
(SHOWN WITH SUGGESTED SIMULATED COLONIAL DIVIDED LITES)



9050A SLEEVE MOUNT 16" PROJECTION WITH 12" SHORTER R.O.  
(SHOWN WITH SUGGESTED SIMULATED COLONIAL DIVIDED LITES)



9050A SLEEVE MOUNT WITH 16" PROJECTION  
AND COUNTERTOP EXTENSION  
(NO DIVIDED LITE AND ARCH OPTIONS SHOWN)

RENAISSANCE GARDEN WINDOWS  
ARE CUSTOM BUILT TO-ORDER.

THESE DRAWINGS AND DIMENSIONS ARE  
FOR ILLUSTRATION PURPOSES ONLY,  
ARE NOT FOR CONSTRUCTION, AND ARE  
SUBJECT TO CHANGE WITHOUT NOTICE

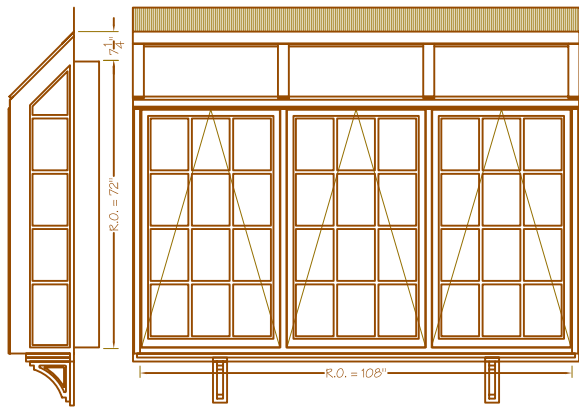


132 Ashmore Drive  
Leola, Pennsylvania 17540  
(717) 661-7520 Fax (717) 661-7727

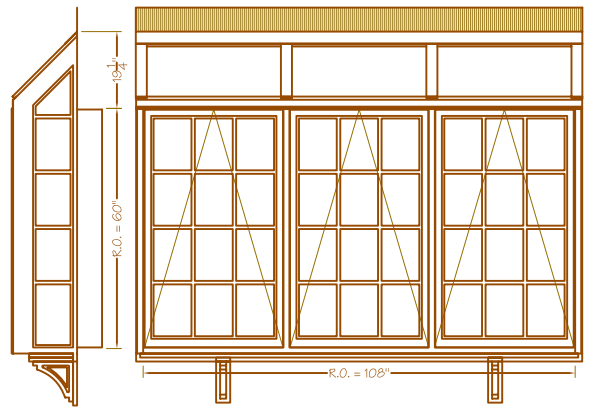
Garden Window

Scale: 1/4" = 1'-0"

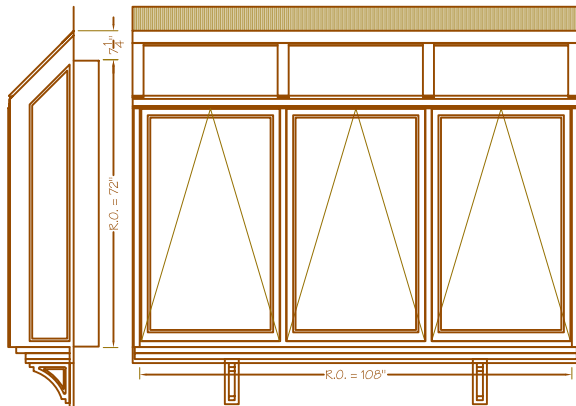
9050A



9060A SLEEVE MOUNT WITH 16" PROJECTION  
(SHOWN WITH SUGGESTED SIMULATED COLONIAL DIVIDED LITES)



9060A SLEEVE MOUNT 16" PROJECTION WITH 12" SHORTER R.O.  
(SHOWN WITH SUGGESTED SIMULATED COLONIAL DIVIDED LITES)



9060A SLEEVE MOUNT WITH 16" PROJECTION  
AND COUNTERTOP EXTENSION  
(NO DIVIDED LITE AND ARCH OPTIONS SHOWN)

RENAISSANCE GARDEN WINDOWS  
ARE CUSTOM BUILT TO-ORDER.

THESE DRAWINGS AND DIMENSIONS ARE  
FOR ILLUSTRATION PURPOSES ONLY,  
ARE NOT FOR CONSTRUCTION, AND ARE  
SUBJECT TO CHANGE WITHOUT NOTICE

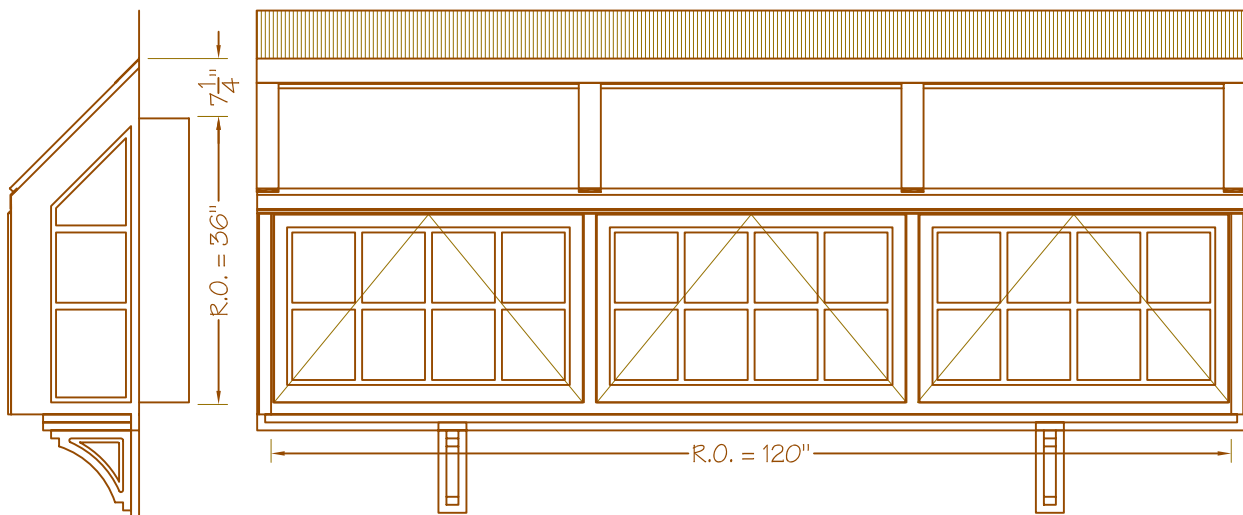


132 Ashmore Drive  
Leola, Pennsylvania 17540  
(717) 661-7520 Fax (717) 661-7727

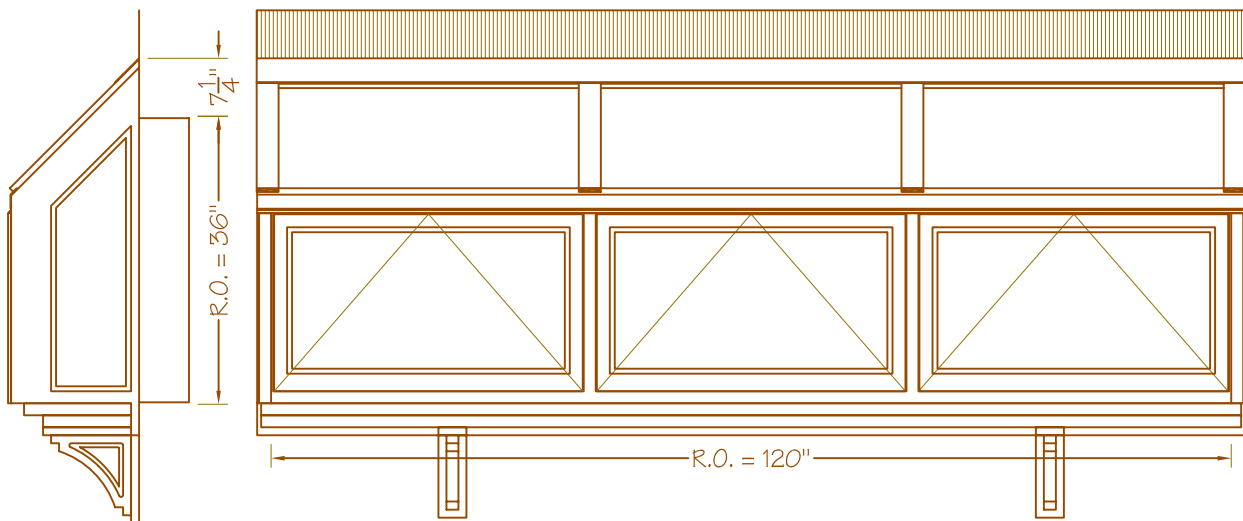
Garden Window

Scale: 1/4" = 1'-0"

9060A



10030A SLEEVE MOUNT WITH 16" PROJECTION  
(SHOWN WITH SUGGESTED SIMULATED COLONIAL DIVIDED LITES)



10030A SLEEVE MOUNT WITH 16" PROJECTION  
AND COUNTERTOP EXTENSION  
(NO DIVIDED LITE AND ARCH OPTIONS SHOWN)

RENAISSANCE GARDEN WINDOWS  
ARE CUSTOM BUILT TO-ORDER.

THESE DRAWINGS AND DIMENSIONS ARE  
FOR ILLUSTRATION PURPOSES ONLY,  
ARE NOT FOR CONSTRUCTION, AND ARE  
SUBJECT TO CHANGE WITHOUT NOTICE

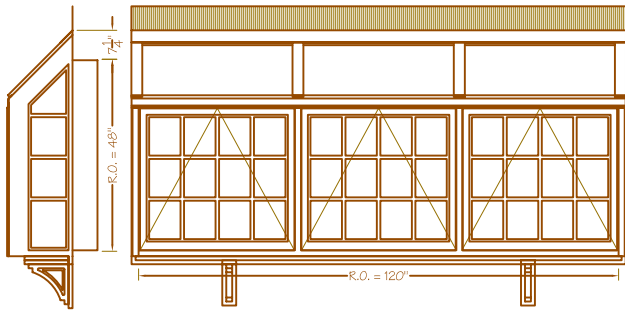


132 Ashmore Drive  
Leola, Pennsylvania 17540  
(717) 661-7520 Fax (717) 661-7727

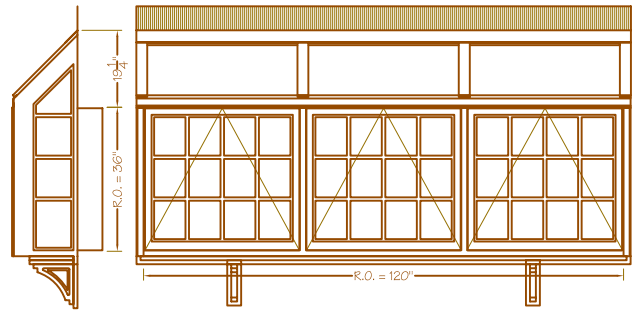
Garden Window

Scale: 1/2" = 1'-0"

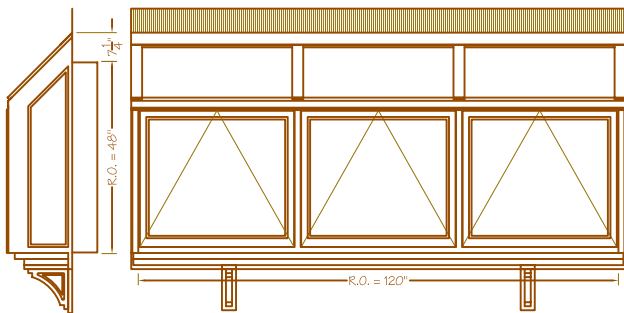
10030A



10040A SLEEVE MOUNT WITH 16" PROJECTION  
(SHOWN WITH SUGGESTED SIMULATED COLONIAL DIVIDED LITES)



10040A SLEEVE MOUNT 16" PROJECTION WITH 12" SHORTER R.O.  
(SHOWN WITH SUGGESTED SIMULATED COLONIAL DIVIDED LITES)



10040A SLEEVE MOUNT WITH 16" PROJECTION  
AND COUNTERTOP EXTENSION  
(NO DIVIDED LITE AND ARCH OPTIONS SHOWN)

RENAISSANCE GARDEN WINDOWS  
ARE CUSTOM BUILT TO-ORDER.

THESE DRAWINGS AND DIMENSIONS ARE  
FOR ILLUSTRATION PURPOSES ONLY,  
ARE NOT FOR CONSTRUCTION, AND ARE  
SUBJECT TO CHANGE WITHOUT NOTICE

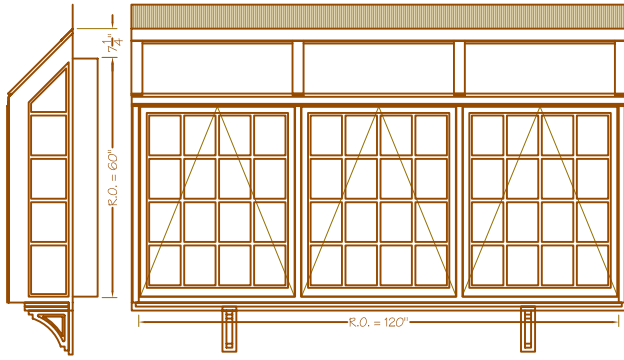


132 Ashmore Drive  
Leola, Pennsylvania 17540  
(717) 661-7520 Fax (717) 661-7727

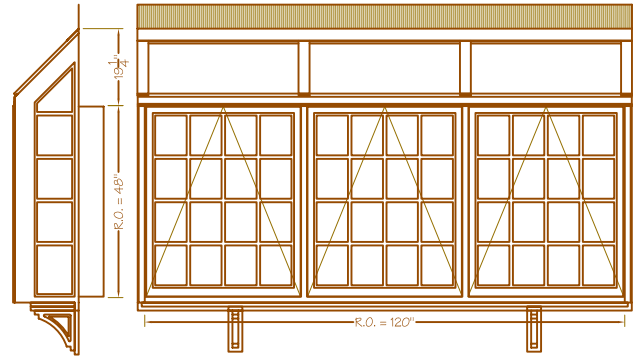
Garden Window

Scale: 1/4" = 1'-0"

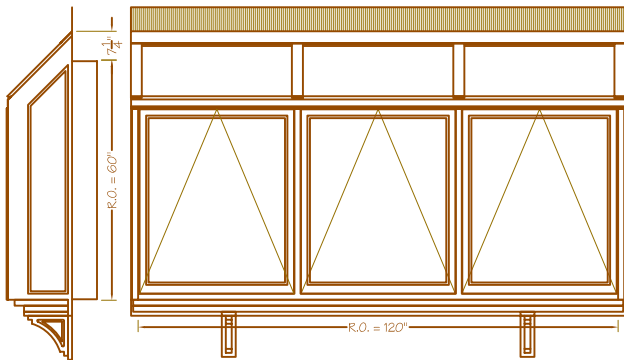
10040A



10050A SLEEVE MOUNT WITH 16" PROJECTION  
(SHOWN WITH SUGGESTED SIMULATED COLONIAL DIVIDED LITES)



10050A SLEEVE MOUNT 16" PROJECTION WITH 12" SHORTER R.O.  
(SHOWN WITH SUGGESTED SIMULATED COLONIAL DIVIDED LITES)



10050A SLEEVE MOUNT WITH 16" PROJECTION  
AND COUNTERTOP EXTENTION  
(NO DIVIDED LITE AND ARCH OPTIONS SHOWN)

RENAISSANCE GARDEN WINDOWS  
ARE CUSTOM BUILT TO-ORDER.

THESE DRAWINGS AND DIMENSIONS ARE  
FOR ILLUSTRATION PURPOSES ONLY,  
ARE NOT FOR CONSTRUCTION, AND ARE  
SUBJECT TO CHANGE WITHOUT NOTICE

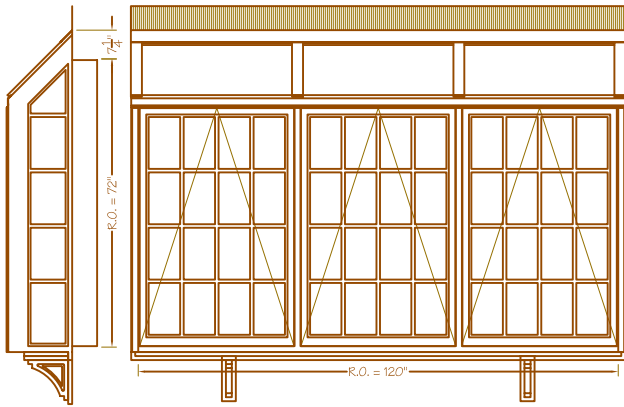


132 Ashmore Drive  
Leola, Pennsylvania 17540  
(717) 661-7520 Fax (717) 661-7727

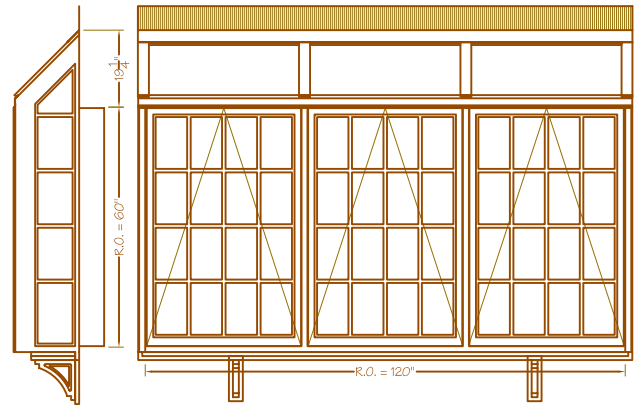
Garden Window

Scale: 1/4" = 1'-0"

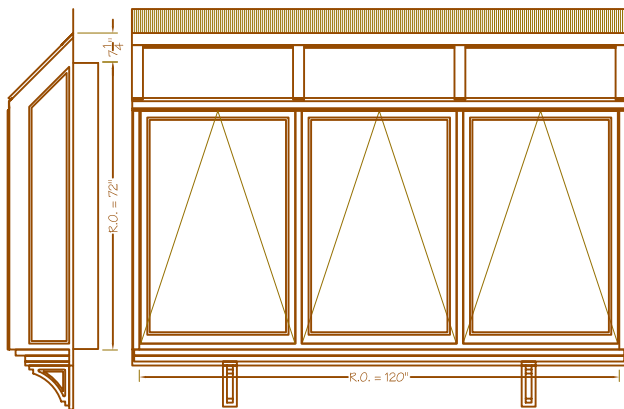
10050A



10060A SLEEVE MOUNT WITH 16" PROJECTION  
(SHOWN WITH SUGGESTED SIMULATED COLONIAL DIVIDED LITES)



10060A SLEEVE MOUNT 16" PROJECTION WITH 12" SHORTER R.O.  
(SHOWN WITH SUGGESTED SIMULATED COLONIAL DIVIDED LITES)



10060A SLEEVE MOUNT WITH 16" PROJECTION  
AND COUNTERTOP EXTENSION  
(NO DIVIDED LITE AND ARCH OPTIONS SHOWN)

RENAISSANCE GARDEN WINDOWS  
ARE CUSTOM BUILT TO-ORDER.

THESE DRAWINGS AND DIMENSIONS ARE  
FOR ILLUSTRATION PURPOSES ONLY,  
ARE NOT FOR CONSTRUCTION, AND ARE  
SUBJECT TO CHANGE WITHOUT NOTICE



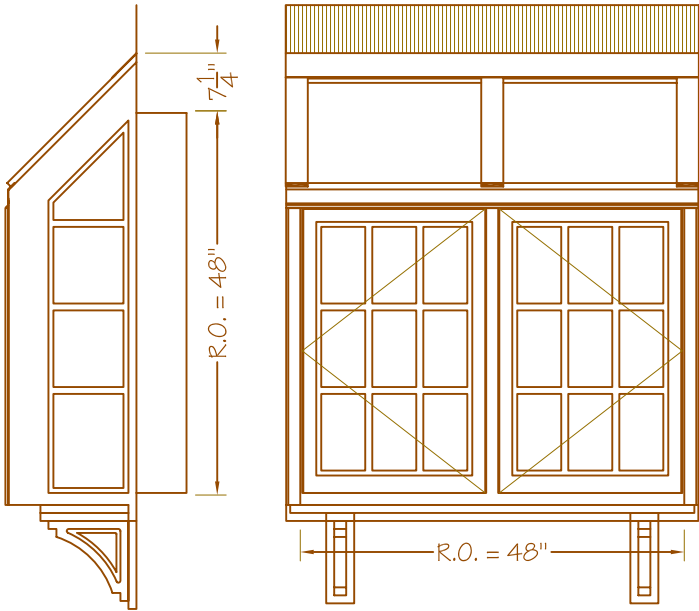
132 Ashmore Drive  
Leola, Pennsylvania 17540  
(717) 661-7520 Fax (717) 661-7727

Garden Window

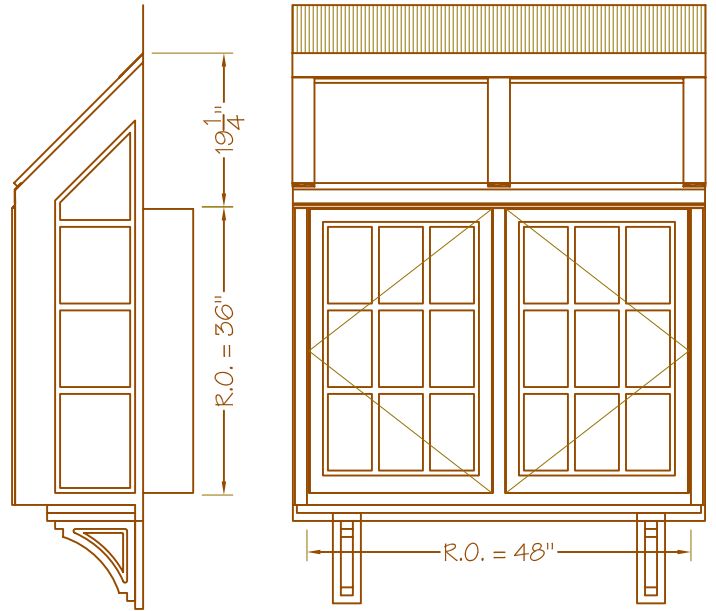
Scale: 1/4" = 1'-0"

10060A

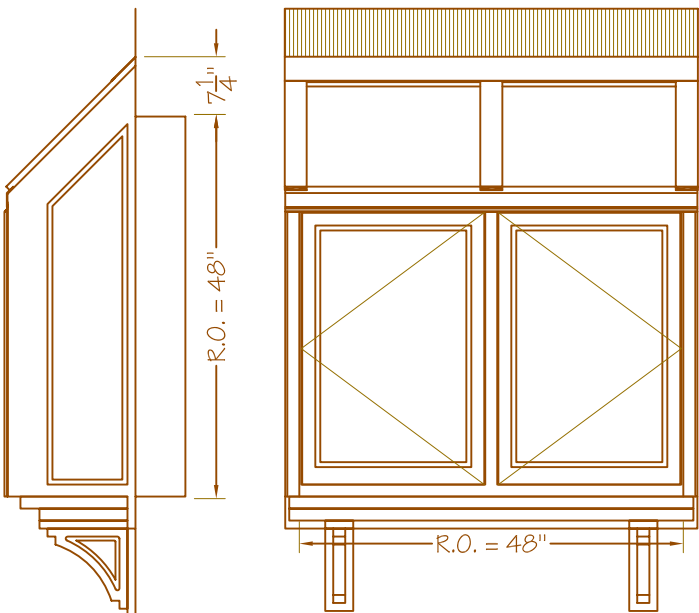




4040D SLEEVE MOUNT WITH 16" PROJECTION  
(SHOWN WITH SUGGESTED SIMULATED COLONIAL DIVIDED LITES)



4040D SLEEVE MOUNT WITH 16" PROJECTION WITH 12" SHORTER R.O.  
(SHOWN WITH SUGGESTED SIMULATED COLONIAL DIVIDED LITES)



4040D SLEEVE MOUNT WITH 16" PROJECTION  
AND COUNTERTOP EXTENSION  
(NO DIVIDED LITE AND ARCH OPTIONS SHOWN)

RENAISSANCE GARDEN WINDOWS  
ARE CUSTOM BUILT TO-ORDER.

THESE DRAWINGS AND DIMENSIONS ARE  
FOR ILLUSTRATION PURPOSES ONLY,  
ARE NOT FOR CONSTRUCTION, AND ARE  
SUBJECT TO CHANGE WITHOUT NOTICE

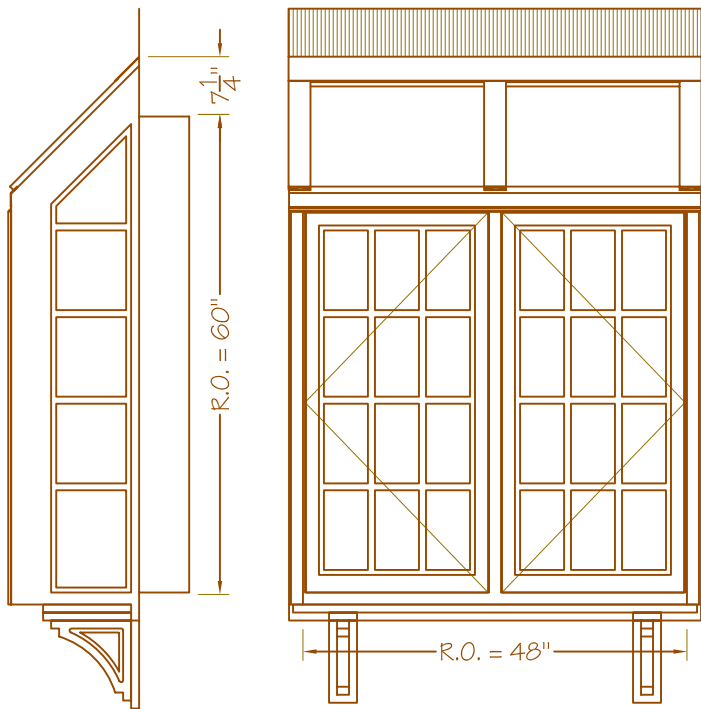


132 Ashmore Drive  
Leola, Pennsylvania 17540  
(717) 661-7520 Fax (717) 661-7727

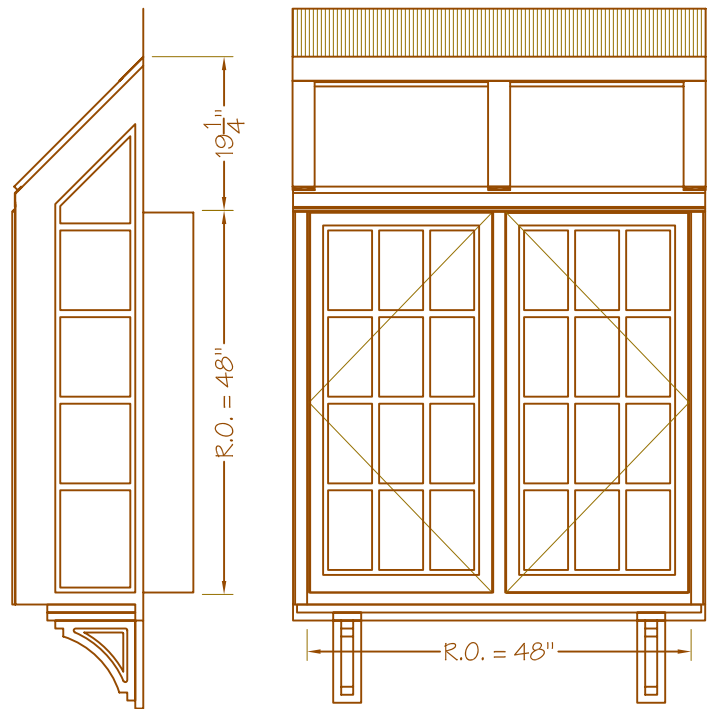
Garden Window

Scale: 1/2" = 1'-0"

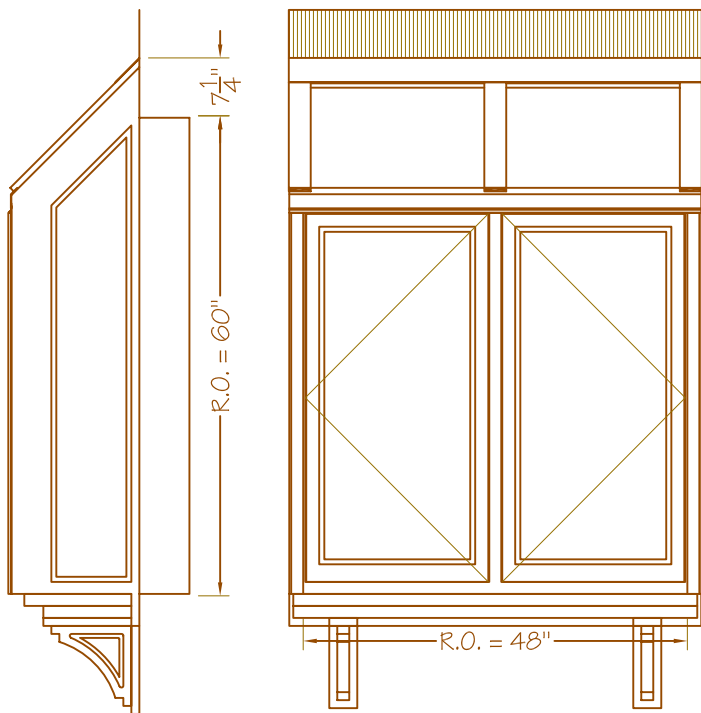
4040D



4050D SLEEVE MOUNT WITH 16" PROJECTION  
(SHOWN WITH SUGGESTED SIMULATED COLONIAL DIVIDED LITES)



4050D SLEEVE MOUNT WITH 16" PROJECTION WITH 12" SHORTER R.O.  
(SHOWN WITH SUGGESTED SIMULATED COLONIAL DIVIDED LITES)



4050D SLEEVE MOUNT WITH 16" PROJECTION  
AND COUNTERTOP EXTENSION  
(NO DIVIDED LITE AND ARCH OPTIONS SHOWN)

RENAISSANCE GARDEN WINDOWS  
ARE CUSTOM BUILT TO-ORDER.

THESE DRAWINGS AND DIMENSIONS ARE  
FOR ILLUSTRATION PURPOSES ONLY,  
ARE NOT FOR CONSTRUCTION, AND ARE  
SUBJECT TO CHANGE WITHOUT NOTICE

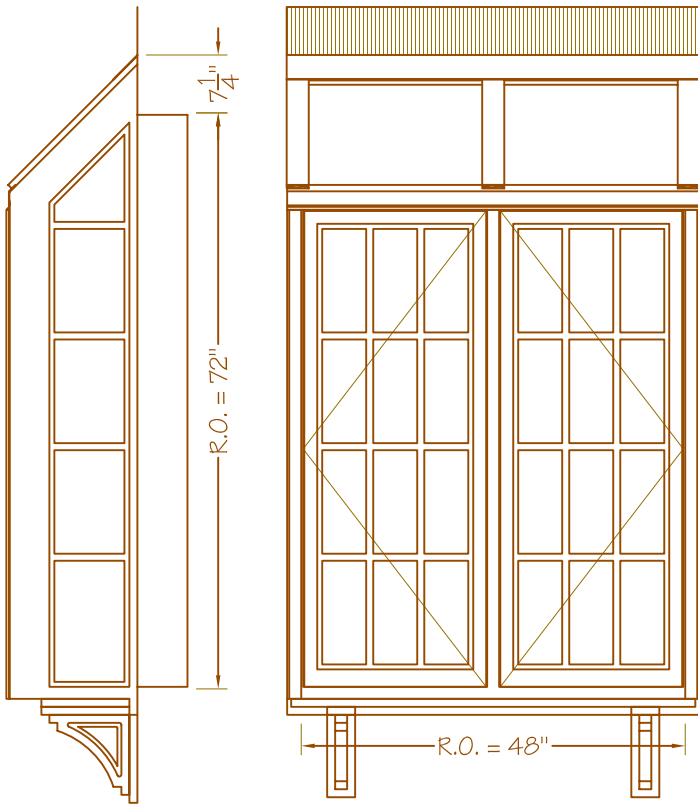


132 Ashmore Drive  
Leola, Pennsylvania 17540  
(717) 661-7520 Fax (717) 661-7727

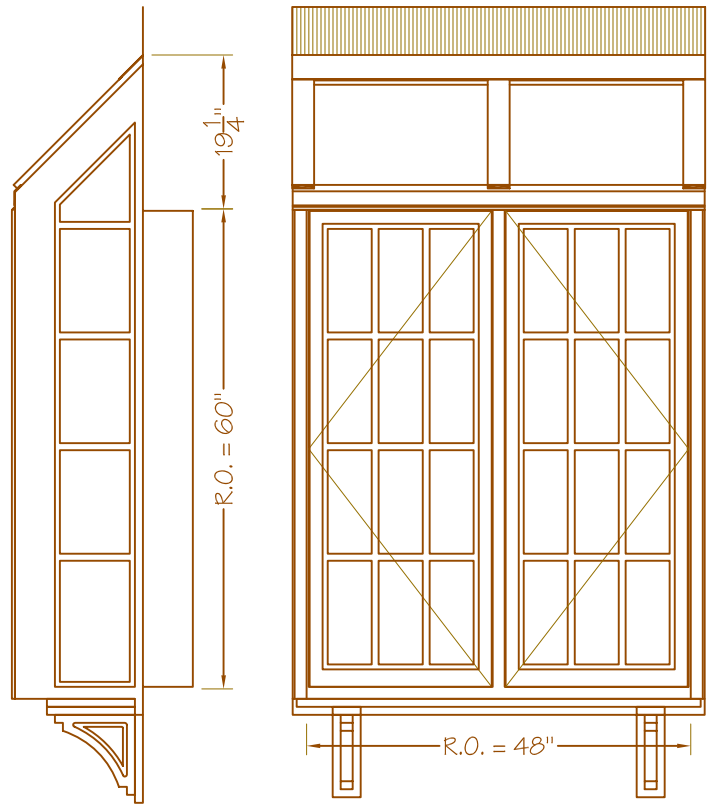
Garden Window

Scale: 1/2" = 1'-0"

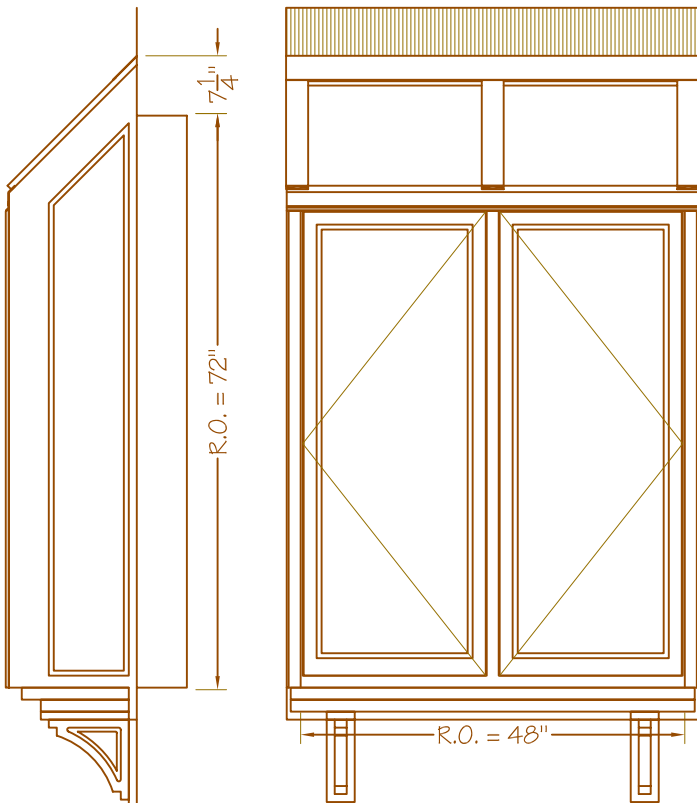
4050D



4060D SLEEVE MOUNT WITH 16" PROJECTION  
(SHOWN WITH SUGGESTED SIMULATED COLONIAL DIVIDED LITES)



4060D SLEEVE MOUNT WITH 16" PROJECTION WITH 12" SHORTER R.O.  
(SHOWN WITH SUGGESTED SIMULATED COLONIAL DIVIDED LITES)



4060D SLEEVE MOUNT WITH 16" PROJECTION  
AND COUNTERTOP EXTENSION  
(NO DIVIDED LITE AND ARCH OPTIONS SHOWN)

RENAISSANCE GARDEN WINDOWS  
ARE CUSTOM BUILT TO-ORDER.

THESE DRAWINGS AND DIMENSIONS ARE  
FOR ILLUSTRATION PURPOSES ONLY,  
ARE NOT FOR CONSTRUCTION, AND ARE  
SUBJECT TO CHANGE WITHOUT NOTICE

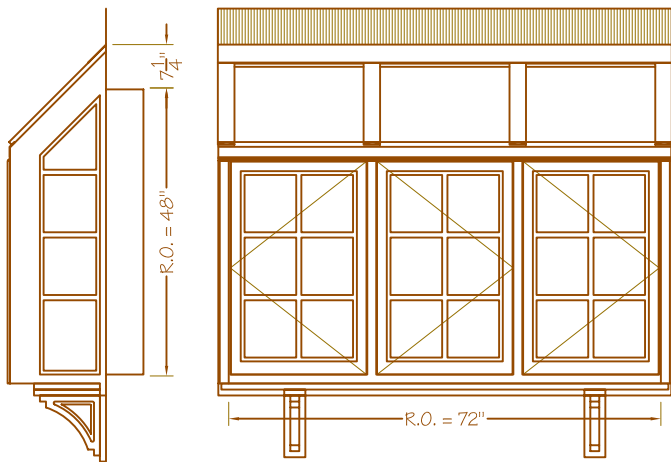


132 Ashmore Drive  
Leola, Pennsylvania 17540  
(717) 661-7520 Fax (717) 661-7727

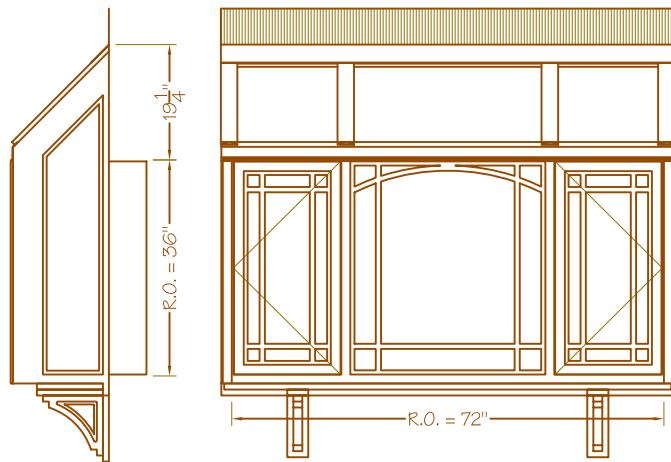
Garden Window

Scale: 1/2" = 1'-0"

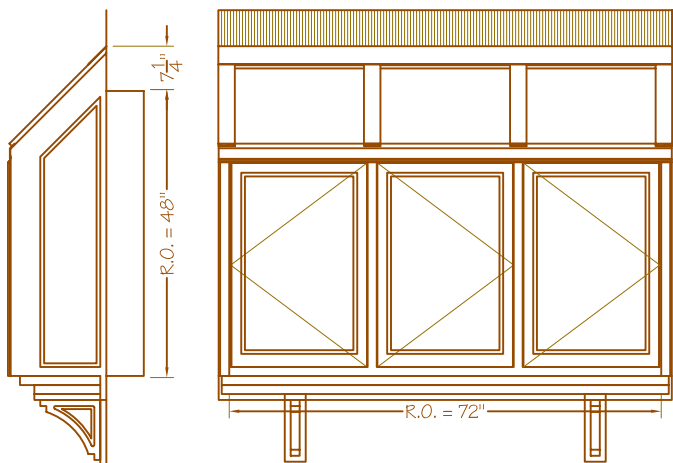
4060D



6040D SLEEVE MOUNT WITH 16" PROJECTION  
(SHOWN WITH SUGGESTED SIMULATED COLONIAL DIVIDED LITES)



6040D SLEEVE MOUNT WITH 16" PROJECTION WITH 12" SHORTER R.O.  
(SHOWN WITH SUGGESTED SIMULATED COLONIAL DIVIDED LITES)



6040D SLEEVE MOUNT WITH 16" PROJECTION  
AND COUNTERTOP EXTENTION  
(NO DIVIDED LITE AND ARCH OPTIONS SHOWN)

RENAISSANCE GARDEN WINDOWS  
ARE CUSTOM BUILT TO-ORDER.

THESE DRAWINGS AND DIMENSIONS ARE  
FOR ILLUSTRATION PURPOSES ONLY,  
ARE NOT FOR CONSTRUCTION, AND ARE  
SUBJECT TO CHANGE WITHOUT NOTICE

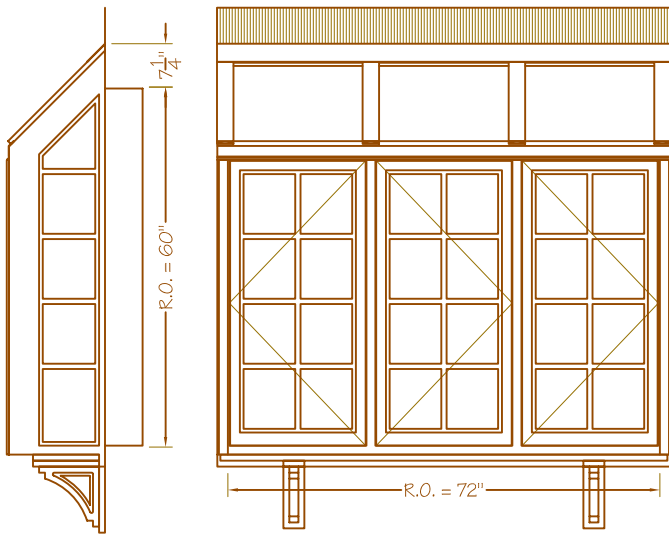


132 Ashmore Drive  
Leola, Pennsylvania 17540  
(717) 661-7520 Fax (717) 661-7727

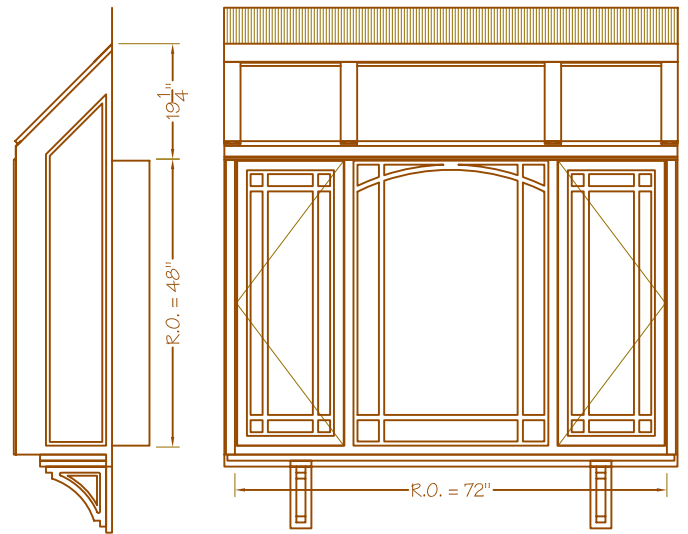
Garden Window

Scale: 3/8" = 1'-0"

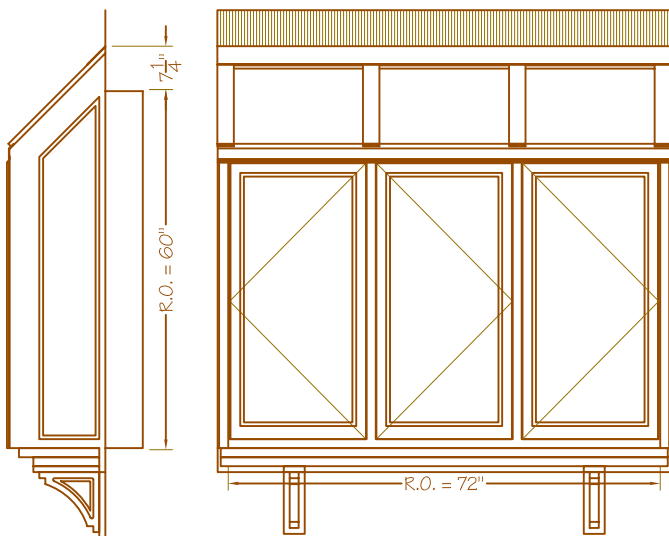
6040D



6050D SLEEVE MOUNT WITH 16" PROJECTION  
(SHOWN WITH SUGGESTED SIMULATED COLONIAL DIVIDED LITES)



6050D SLEEVE MOUNT WITH 16" PROJECTION WITH 12" SHORTER R.O.  
(SHOWN WITH SUGGESTED SIMULATED COLONIAL DIVIDED LITES)



6050D SLEEVE MOUNT WITH 16" PROJECTION  
AND COUNTERTOP EXTENTION  
(NO DIVIDED LITE AND ARCH OPTIONS SHOWN)

RENAISSANCE GARDEN WINDOWS  
ARE CUSTOM BUILT TO-ORDER.

THESE DRAWINGS AND DIMENSIONS ARE  
FOR ILLUSTRATION PURPOSES ONLY,  
ARE NOT FOR CONSTRUCTION, AND ARE  
SUBJECT TO CHANGE WITHOUT NOTICE

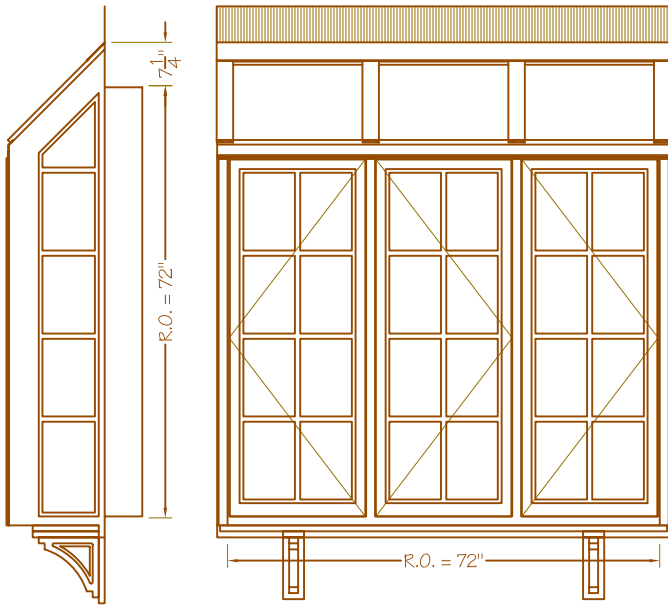


132 Ashmore Drive  
Leola, Pennsylvania 17540  
(717) 661-7520 Fax (717) 661-7727

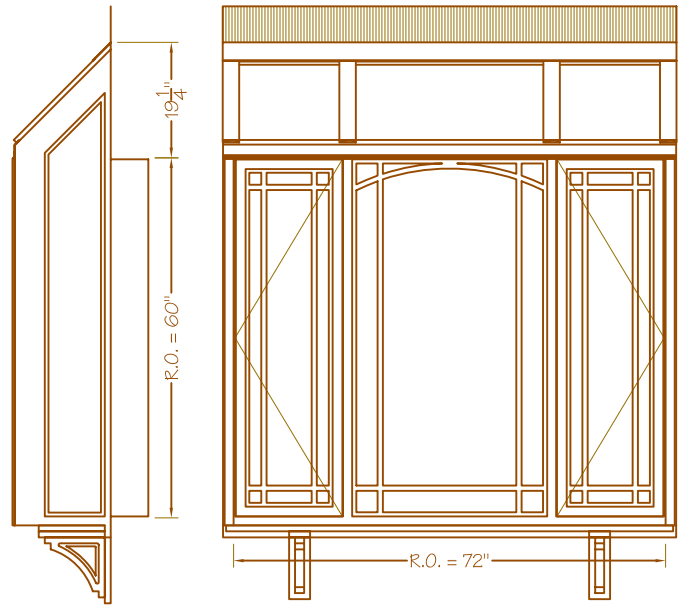
Garden Window

Scale: 3/8" = 1'-0"

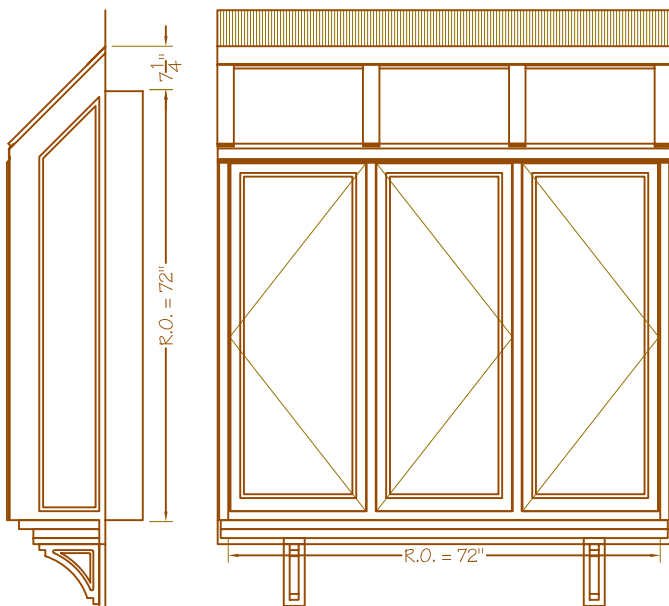
6050D



6050D SLEEVE MOUNT WITH 16" PROJECTION  
(SHOWN WITH SUGGESTED SIMULATED COLONIAL DIVIDED LITES)



6050D SLEEVE MOUNT WITH 16" PROJECTION WITH 12" SHORTER R.O.  
(SHOWN WITH SUGGESTED SIMULATED COLONIAL DIVIDED LITES)



6060D SLEEVE MOUNT WITH 16" PROJECTION  
AND COUNTERTOP EXTENTION  
(NO DIVIDED LITE AND ARCH OPTIONS SHOWN)

RENAISSANCE GARDEN WINDOWS  
ARE CUSTOM BUILT TO-ORDER.

THESE DRAWINGS AND DIMENSIONS ARE  
FOR ILLUSTRATION PURPOSES ONLY,  
ARE NOT FOR CONSTRUCTION, AND ARE  
SUBJECT TO CHANGE WITHOUT NOTICE

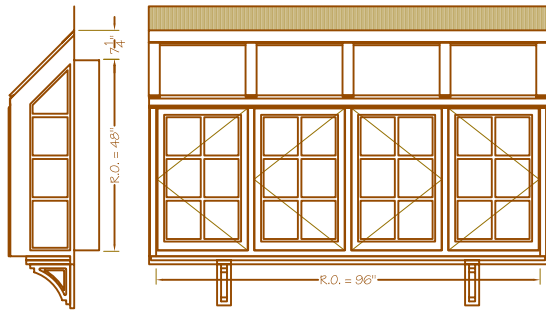


132 Ashmore Drive  
Leola, Pennsylvania 17540  
(717) 661-7520 Fax (717) 661-7727

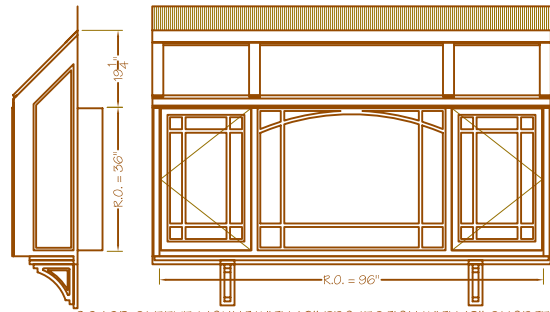
Garden Window

Scale: 3/8" = 1'-0"

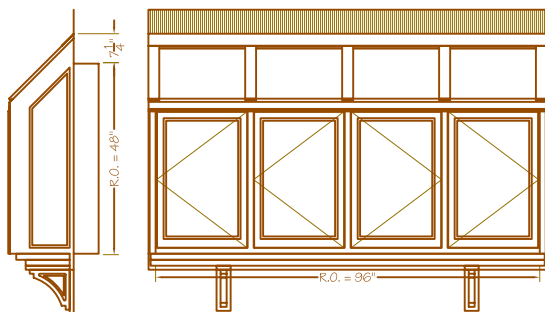
6060D



8040D SLEEVE MOUNT WITH 16" PROJECTION  
(SHOWN WITH SUGGESTED SIMULATED COLONIAL DIVIDED LITES)



8040D SLEEVE MOUNT WITH 16" PROJECTION WITH 12" SHORTER R.O.  
(SHOWN WITH SUGGESTED SIMULATED COLONIAL DIVIDED LITES)



8040D SLEEVE MOUNT WITH 16" PROJECTION  
AND COUNTERTOP EXTENSION  
(NO DIVIDED LITE AND ARCH OPTIONS SHOWN)

RENAISSANCE GARDEN WINDOWS  
ARE CUSTOM BUILT TO-ORDER.

THESE DRAWINGS AND DIMENSIONS ARE  
FOR ILLUSTRATION PURPOSES ONLY,  
ARE NOT FOR CONSTRUCTION, AND ARE  
SUBJECT TO CHANGE WITHOUT NOTICE

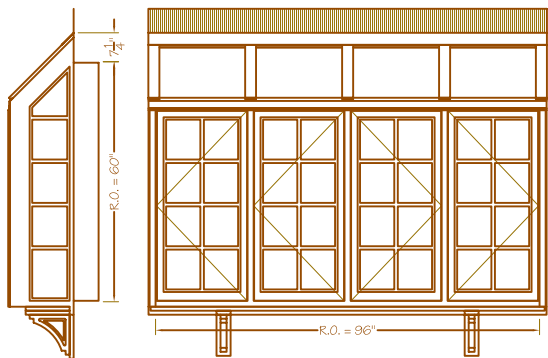


132 Ashmore Drive  
Leola, Pennsylvania 17540  
(717) 661-7520 Fax (717) 661-7727

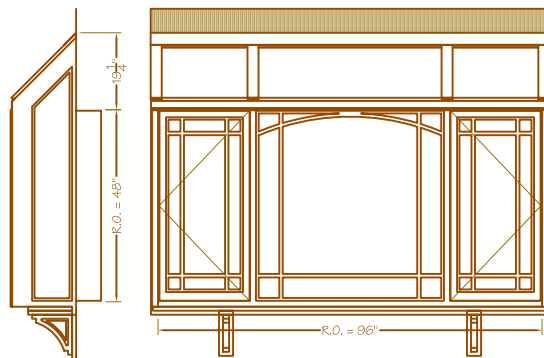
Garden Window

Scale: 1/4" = 1'-0"

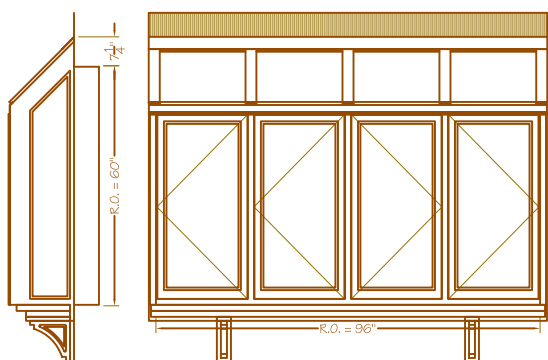
8040D



8050D SLEEVE MOUNT WITH 16" PROJECTION  
(SHOWN WITH SUGGESTED SIMULATED COLONIAL DIVIDED LITES)



8050D SLEEVE MOUNT WITH 16" PROJECTION WITH 12" SHORTER R.O.  
(SHOWN WITH SUGGESTED SIMULATED COLONIAL DIVIDED LITES)



8050D SLEEVE MOUNT WITH 16" PROJECTION  
AND COUNTERTOP EXTENSION  
(NO DIVIDED LITE AND ARCH OPTIONS SHOWN)

RENAISSANCE GARDEN WINDOWS  
ARE CUSTOM BUILT TO-ORDER.

THESE DRAWINGS AND DIMENSIONS ARE  
FOR ILLUSTRATION PURPOSES ONLY,  
ARE NOT FOR CONSTRUCTION, AND ARE  
SUBJECT TO CHANGE WITHOUT NOTICE



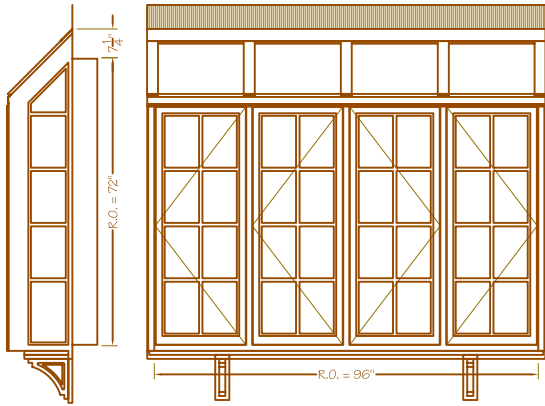
132 Ashmore Drive  
Leola, Pennsylvania 17540  
(717) 661-7520 Fax (717) 661-7727

Garden Window

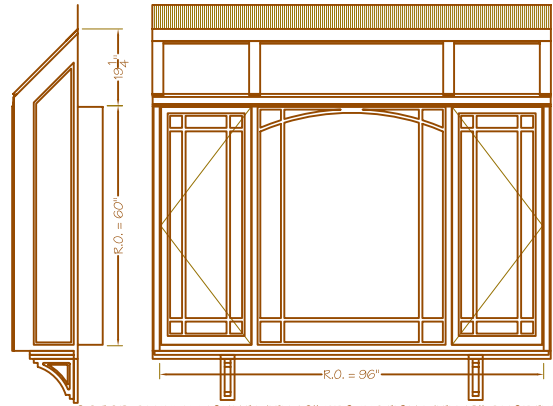
Scale: 1/4" = 1'-0"

8050D

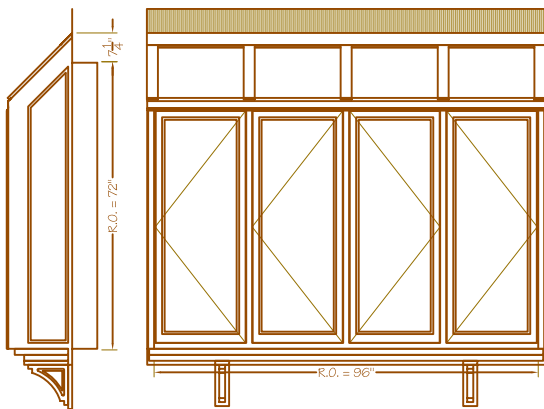




8050D SLEEVE MOUNT WITH 16" PROJECTION  
(SHOWN WITH SUGGESTED SIMULATED COLONIAL DIVIDED LITES)



8050D SLEEVE MOUNT WITH 16" PROJECTION WITH 12" SHORTER R.O.  
(SHOWN WITH SUGGESTED SIMULATED COLONIAL DIVIDED LITES)



8050D SLEEVE MOUNT WITH 16" PROJECTION  
AND COUNTERTOP EXTENSION  
(NO DIVIDED LITE AND ARCH OPTIONS SHOWN)

RENAISSANCE GARDEN WINDOWS  
ARE CUSTOM BUILT TO-ORDER.

THESE DRAWINGS AND DIMENSIONS ARE  
FOR ILLUSTRATION PURPOSES ONLY,  
ARE NOT FOR CONSTRUCTION, AND ARE  
SUBJECT TO CHANGE WITHOUT NOTICE



132 Ashmore Drive  
Leola, Pennsylvania 17540  
(717) 661-7520 Fax (717) 661-7727

Garden Window

Scale: 1/4" = 1'-0"

8060D