

# RENAISSANCE CONSERVATORIES

Lanterns, Skylights, Glass Roofs and Domes

## *Specifier's Guide*



*Light, God's eldest daughter,  
is a principal beauty in a building.*  
— Thomas Fuller

For as long as mankind has lived under roof, introducing natural light to the core of a dwelling has posed special challenges to both architect and builder. Even in today's highly technological 21st Century, sloped glazing is often viewed as a daunting task:

**“HOW DO I DETAIL IT?”**  
**“HOW DO I SPECIFY IT?”**  
**“HOW DO I INSTALL IT?”**

Renaissance is a recognized leader in the design, manufacture, installation and service of premium mahogany-and-glass conservatories for America's finest homes. Our extensive experience has enabled us to accumulate the technical knowledge and expertise, essential for overhead and specialty glazing success. With this Specifier's Guide, we are happy to share with you a few key guidelines illustrating how we methodically approach our craft.

As a custom job house, we are also keenly aware that most projects have their own special and often unique requirements. Therefore, this *Guide* serves as the first step of a collaborative discovery process to identify your clients' needs and expectations.

We invite you to call on us anytime for personalized one-on-one assistance. Telephone consultations are always without charge, and are the best way for us to get acquainted with your project, and for you to learn about Renaissance and how we can participate.

On behalf of the entire Renaissance Design Team, I look forward to hearing from you, and to the opportunity to add Light to your clients' Lifestyle.

*Jason Sawyer*

Jason Sawyer  
President, Renaissance Conservatories

Begin here to learn about various geometrical shapes, and how they can be combined and integrated to fit your needs.

1  
DESIGN GUIDELINES

Learn about some of the materials that go into our products.

2  
SELECTIONS

Use our Standard General Specifications, or tell us exactly what you want.

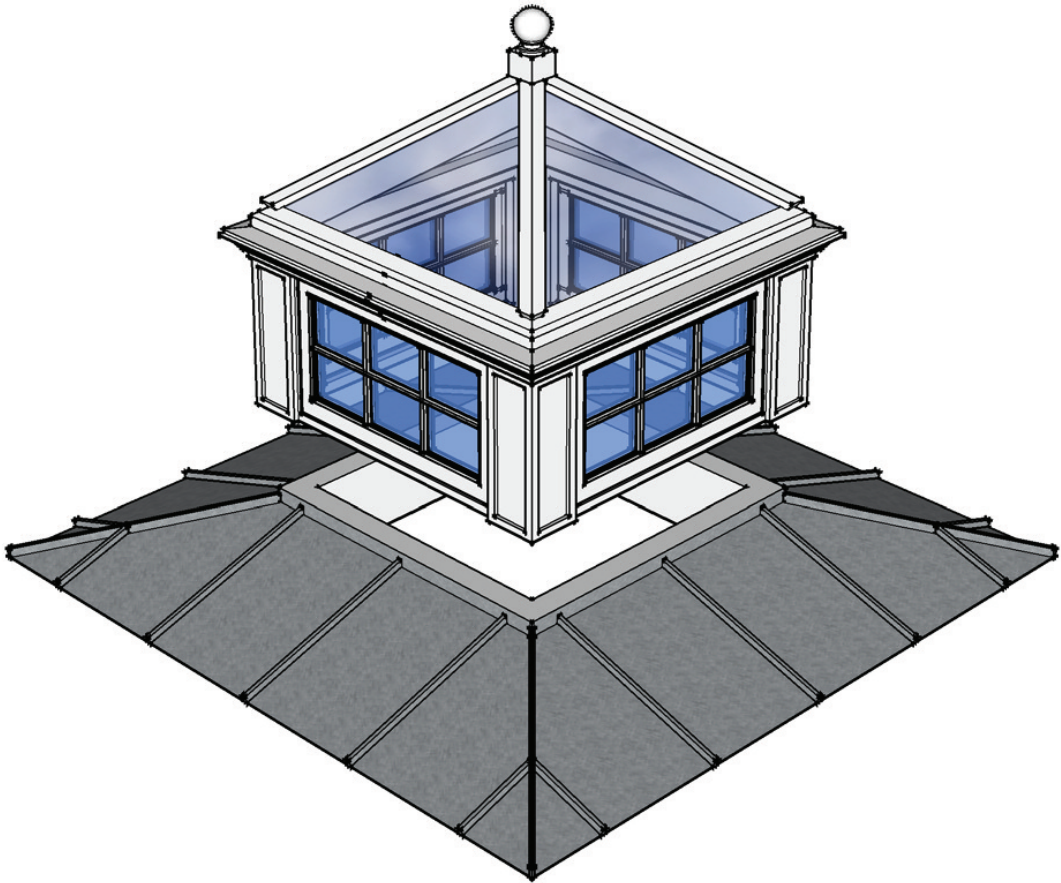
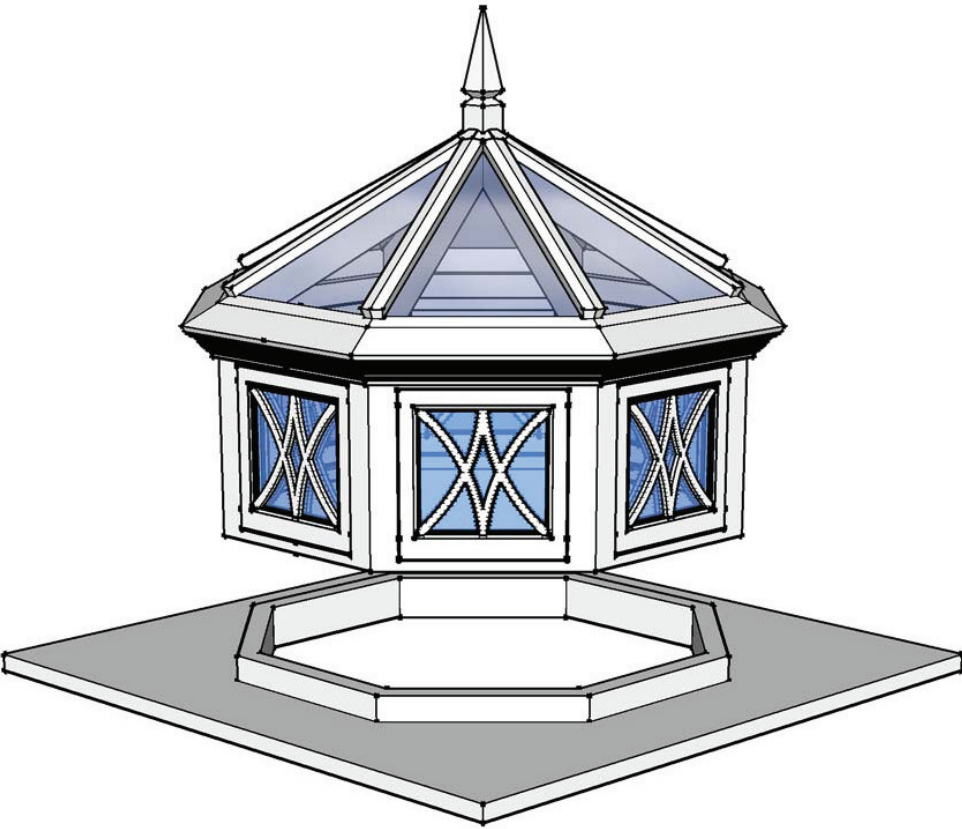
3  
SPECIFICATIONS

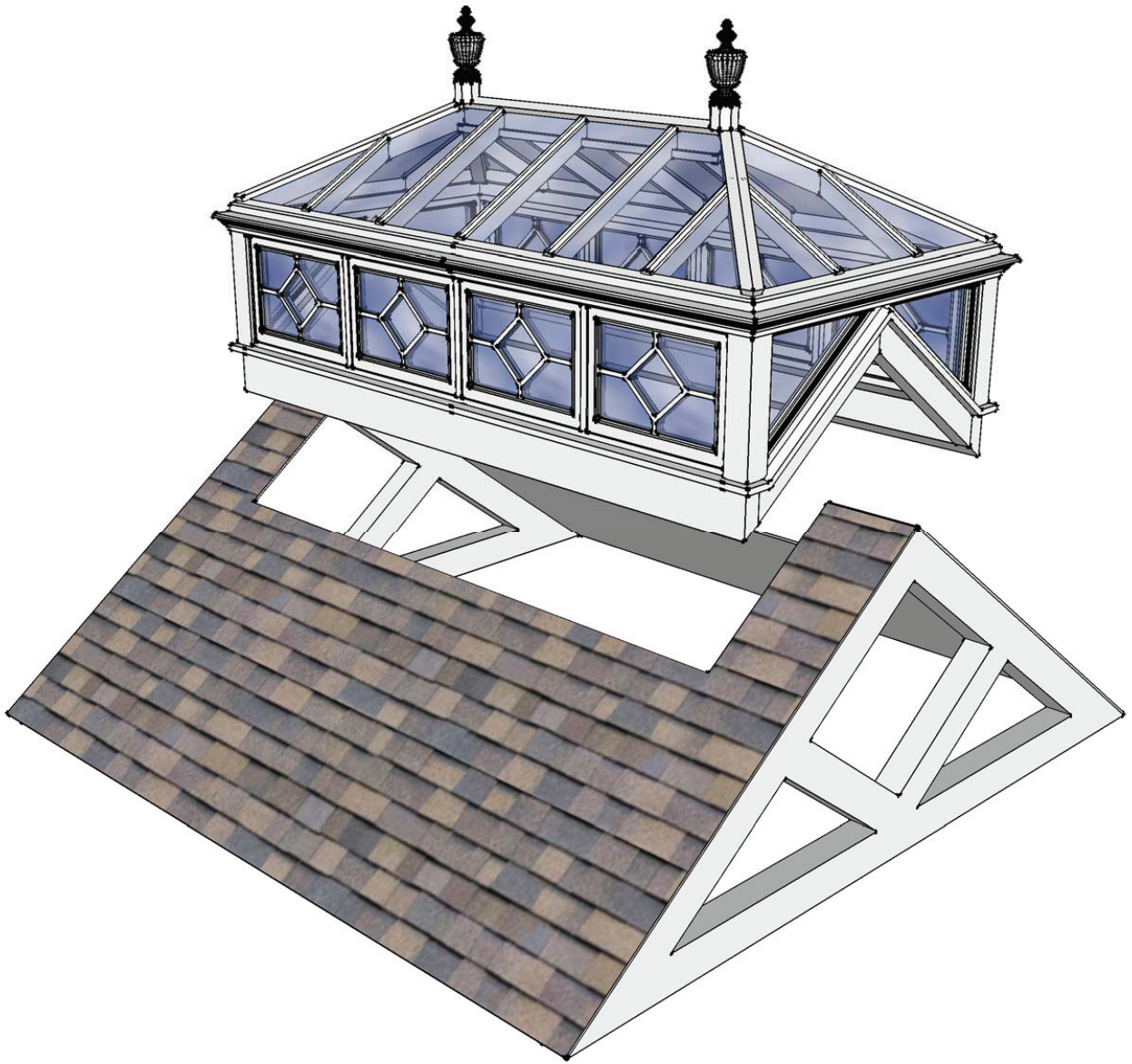
We have illustrated a few of our most often used details. We will create the exact detail you need.

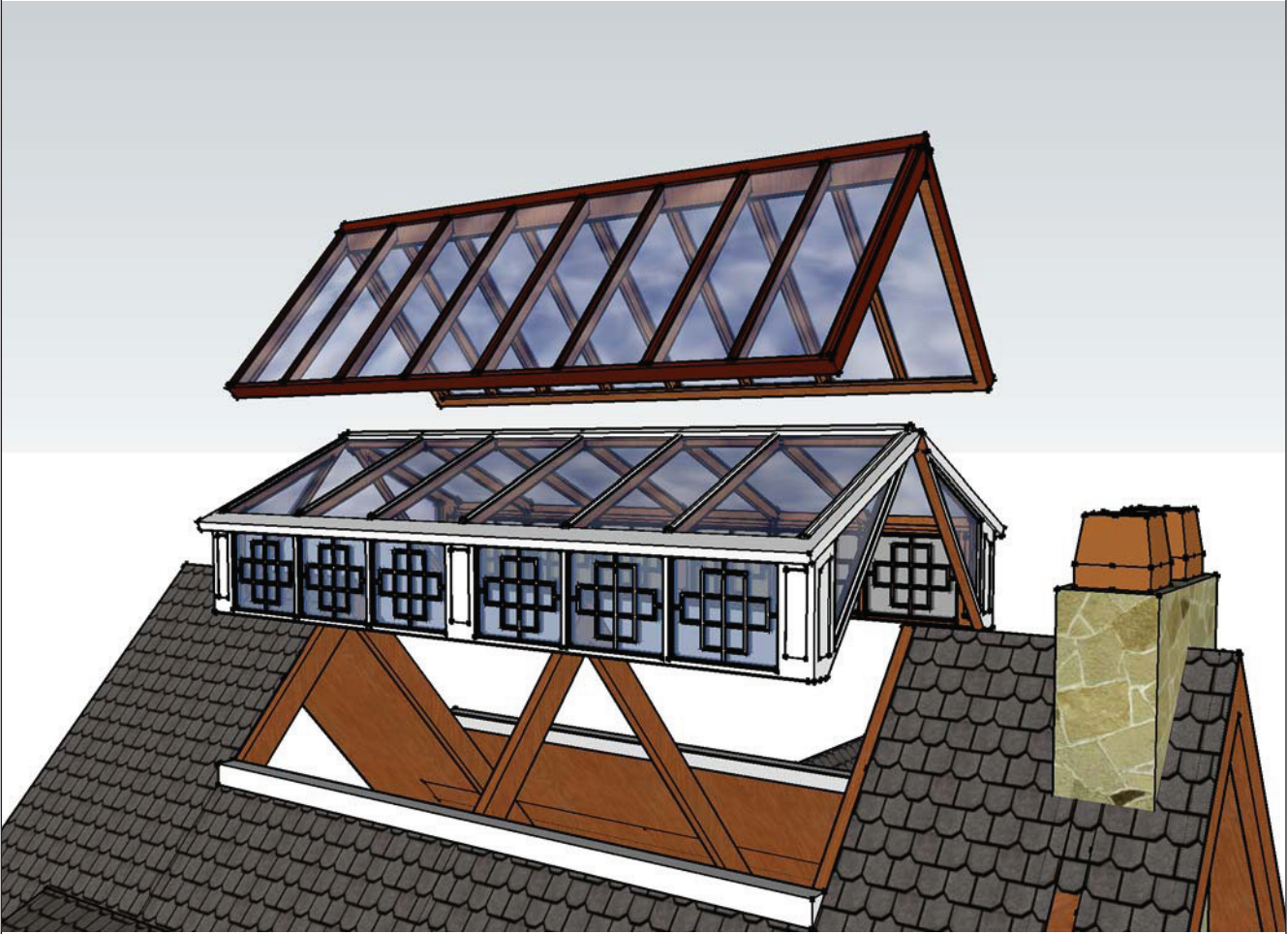
4  
DETAILS

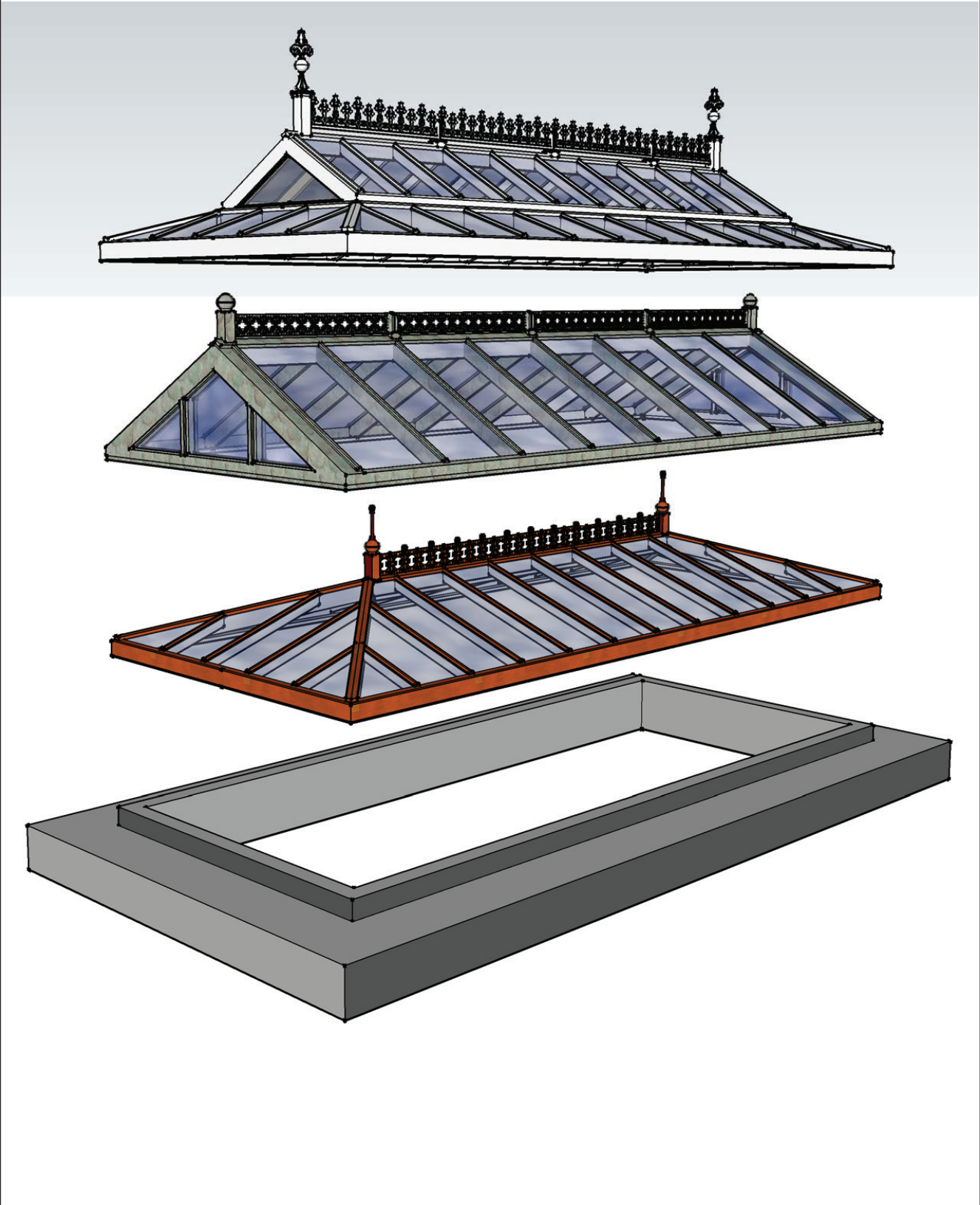
We believe ours is one of the strongest in the industry.

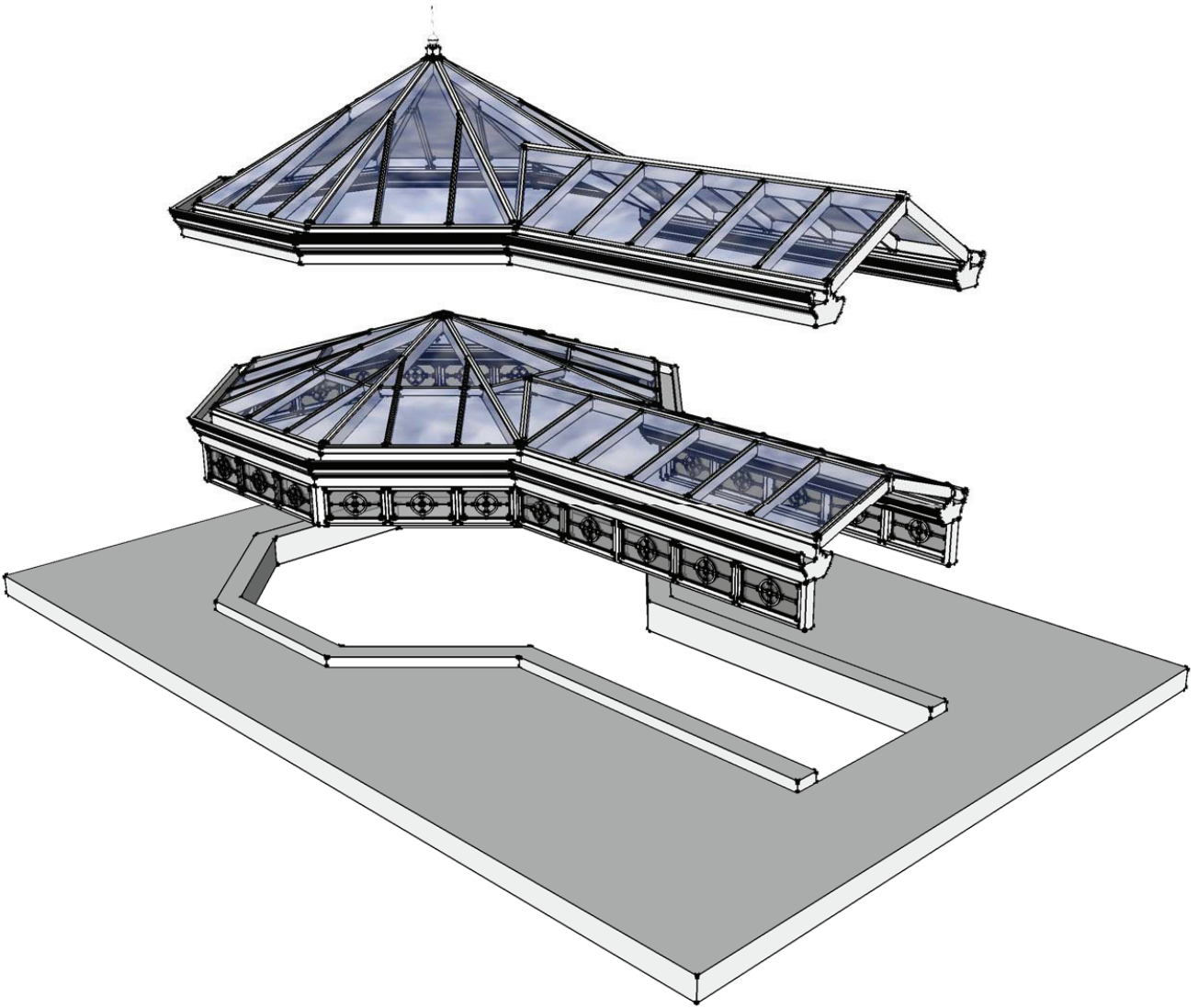
5  
WARRANTY

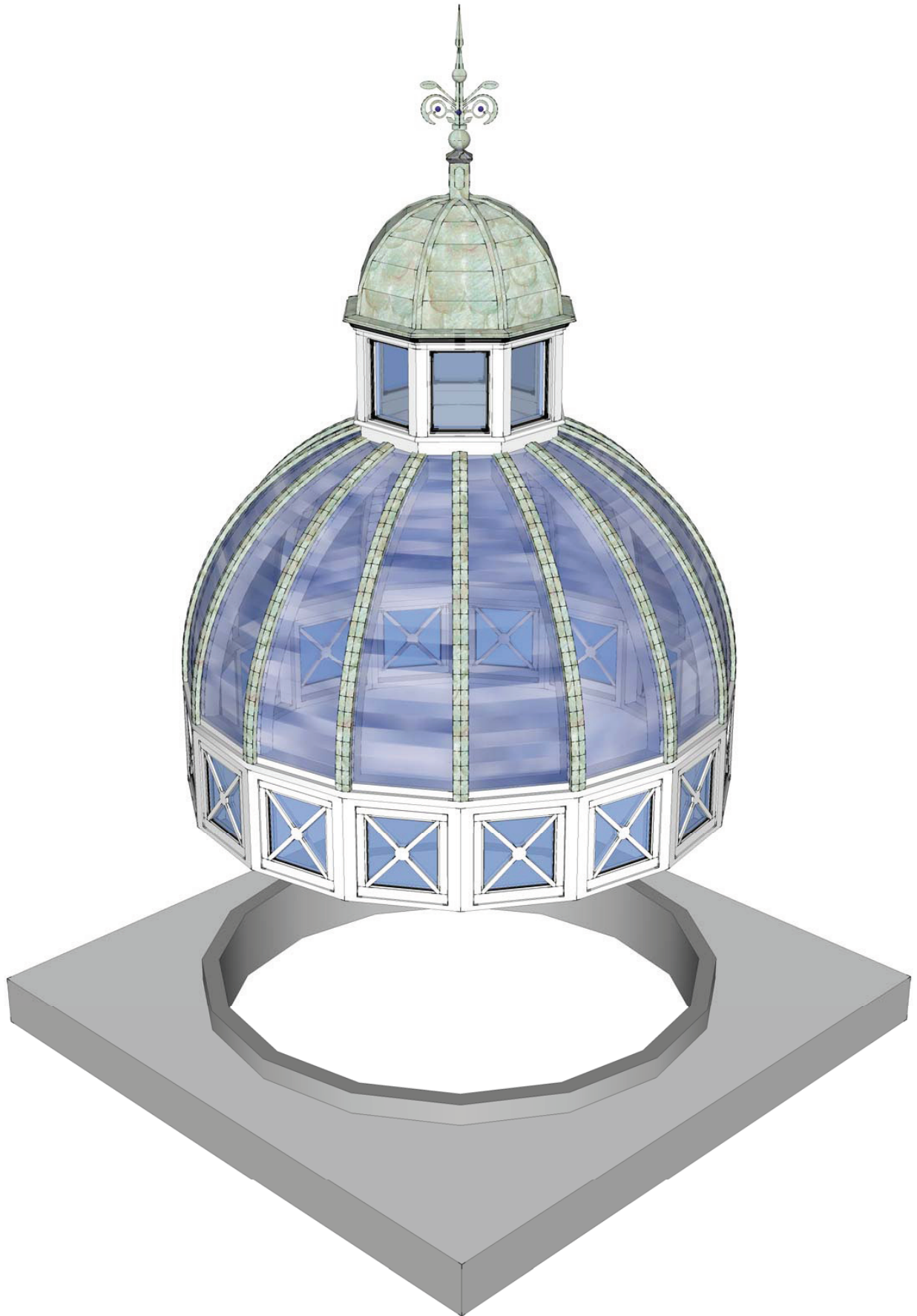
















# *Fine Under Rafter Edge Profile Selections*

A

SELECT THIS STYLE



B

SELECT THIS STYLE



C

SELECT THIS STYLE



D

SELECT THIS STYLE



E

SELECT THIS STYLE



F

SELECT THIS STYLE



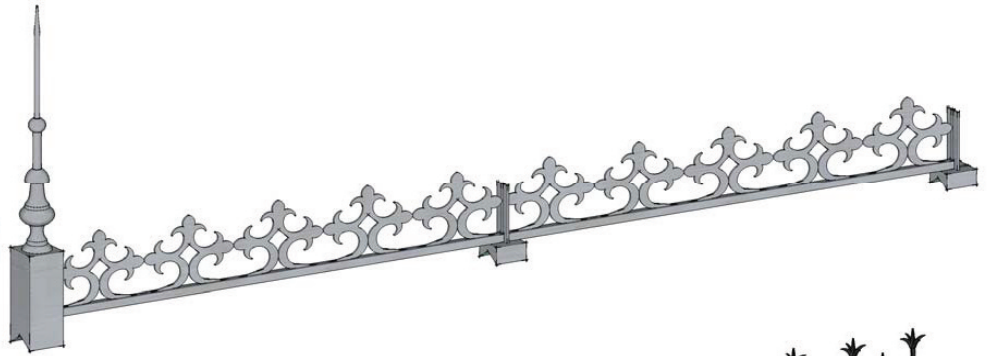


# Finial and Cresting Suggestions\*

SELECT THIS STYLE

**FLEUR DE LIS**

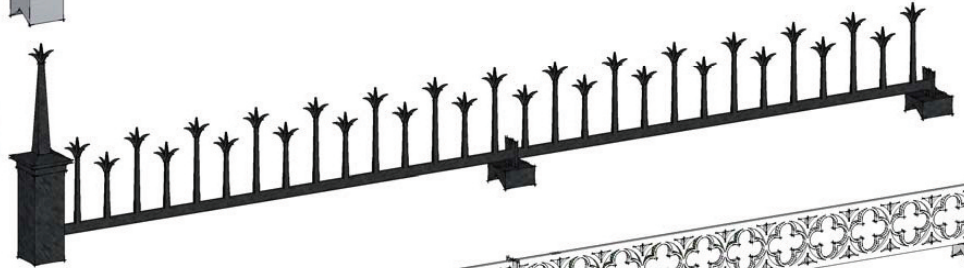
*In Lead-coated Copper*



SELECT THIS STYLE

**GOTHIC SPIRE**

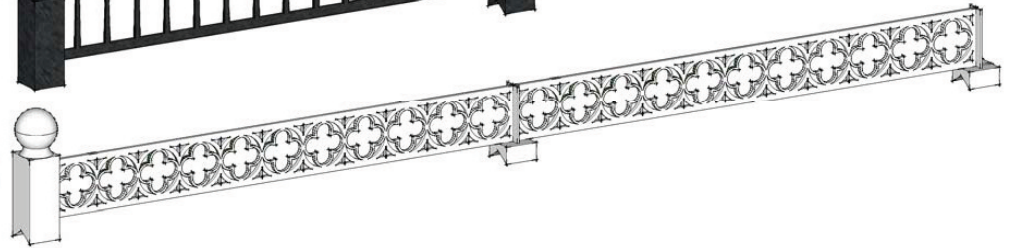
*In Black Aluminum*



SELECT THIS STYLE

**QUADRAPHILE**

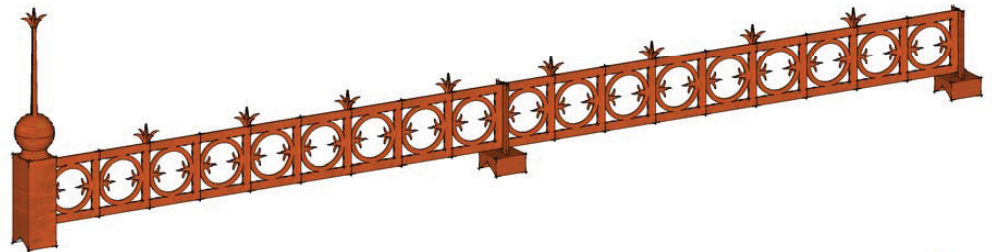
*In White Aluminum*



SELECT THIS STYLE

**BALL & SPIRE**

*In Copper*



SELECT THIS STYLE

**LOW VICTORIAN**

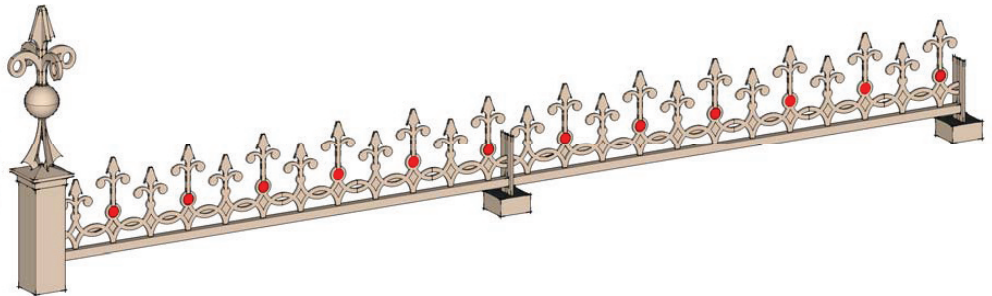
*In Green Aluminum*



SELECT THIS STYLE

**HIGH VICTORIAN**

*In Tan Aluminum with Red Flash Glass Inserts*



\* Call us for a design to meet your special needs.



**Renaissance Conservatories  
Standard General Specifications  
Lanterns, Skylights, Glass Roofs & Domes  
11/20/2009**

1. Drawings: The Manufacturer to submit shop drawings for approval prior to the start of fabrication.
2. Manufacturer: Drawings and contract documents to be based on products manufactured or supplied by Renaissance Conservatories, 132 Ashmore Drive, Leola, Pennsylvania 17540, toll-free phone 800-882-4657, phone 717-661-7520, fax 717-661-7727, web site [www.RenaissanceConservatories.com](http://www.RenaissanceConservatories.com)
3. Framing Species: Exposed framing to be kiln-dried [select one] [Honduran Mahogany (*Swietenia macrophylla*), Cedro Mahogany (*Cedrela odorata*), Western Red Cedar (*Thuja plicata*), or as otherwise specified]. Some concealed blocking, concealed structural framing, or concealed structural elements may be SPF (spruce, pine, fir), engineered lumber or steel.

4. Sash: All operating and fixed sash to be direct-set into framing openings (without jambs), and to be custom-sized as specified.

Sash to be hand selected kiln-dried 1-3/4" x 1-5/8" with a 2-3/16" bottom rail laminated solid lumber to match framing species. Joinery to be mortise and tenon glued and pinned.

All laminated sash members will be made from (minimum) double 5/4 (nominal) timbers, finish milled to final dimensions. Wood will be pressure laminated for a minimum of eight (8) hours, at a minimum of 70 degrees Fahrenheit, and at a minimum of 50 pounds per square inch (50 psi), utilizing West System 105-B Resin and 206-B Slow Hardener, applied in accordance with the manufacturer's recommended procedures.

Manual Awning Sash: Hardware to have a [select one] [03-Bronze, 23-Chestnut Bronze, 24-Beige, 32-White, 37-Off White] baked enamel painted finish and to include surface-mounted single arm roto gear operator and concealed hinges as manufactured by Truth Hardware.

Motorized Awning Sash: Motor drives to be Marvel Power Window System as manufactured by Truth Hardware with [select one] [03-Bronze, 38-White] finish.

Insect screens to have rigid pre-finished aluminum frames with [select one] [bronze, white, beige] baked enamel painted finish, or custom color powder coat finish as specified.

Insect screen cloth to be [select one] [charcoal aluminum, charcoal vinyl-coated fiberglass, bronze, Gore inLighten Virtually Invisible] as specified.

6. Operating Roof Vents: Roof vents to be hand selected kiln-dried 1-3/4" (or as otherwise specified) laminated solid lumber to match framing species. Vents to be exterior clad in [select one] [copper, lead coated copper, aluminum, Rheinzink, or tern-plated stainless steel] in a finish as specified. Vents to be completely removable from base and to be [select one] [manually operated, motorized] on a continuous ball hinge with removable insect screens.

Motorized Roof Vents: Motor drives for vents weighing up to 90 pounds to be Marvel Power Window System as manufactured by Truth Hardware with [select one] [03-Bronze, 38-White] finish. Motor drives for vents weighing in excess of 90 pounds to be Sentry II HS Motor System as manufactured

- by Truth Hardware with [select one] [03-Bronze, 23-Chestnut Bronze, 24-Beige, 32-White] finish.
- Insect screens to have rigid pre-finished aluminum frames with [select one] [bronze, white, beige] baked enamel painted finish, or custom color powder coat finish as specified.
- Insect screen cloth to be [select one] [charcoal aluminum, charcoal vinyl-coated fiberglass, bronze, Gore inLighten Virtually Invisible] as specified.
7. Glass: All insulating glass to be [select one] [double, triple] insulating dual seal with a butyl primary seal and a neutral-cure silicone secondary seal. Vertical glass to be clear insulating glass, annealed or tempered as specified. Roof glass to be clear insulating glass, tempered outboard lite, heat-strengthened laminated inboard lite, or as otherwise specified. Custom tints, high performance coatings, inert gas fills and captured air spacers as specified.  
  
If required, [select one] [sloped, vertical, sloped and vertical] glazing to be [select one] [storm impact rated, hurricane certified].
  8. Fasteners: The Manufacturer to provide all fasteners necessary for unit assembly and glazing. Exposed fasteners to be brass or stainless steel.
  9. Cresting & Finial Posts: [Select one] [Copper, lead-coated copper, aluminum, composite, wood] from standard offerings or custom as specified.
  10. Appliques, Trims & Architectural Detailing: From standard offerings or custom as specified.
  11. Art Glass: Custom as specified.
  12. Structural Components: Structural steel to be concealed and prime painted or finished as otherwise specified.  
  
Tension rod collar ties to be prime painted or finished as otherwise specified. Decorative rosettes to be [select one] [lead-ed etched flash glass, copper, aluminum, composite, wood] from standard offerings or as otherwise specified.
  13. Roof Caps: Caps to be manufacturer's proprietary 2-part extruded aluminum with snap-in neoprene gaskets in a finish as specified or manufacturer's [select one] [copper-wrapped, lead coated copper-wrapped, aluminum-wrapped, Rheinzink-wrapped, tern-plated stainless steel] wood caps in a finish as specified.
  14. Eaves Detailing: When specified, the exterior eaves to have an integrated rain gutter in [select one] [copper, lead-coated copper, aluminum, lined wood] in a finish as specified.
  15. Flashing and Brake Metals: Supplied flashing and Brake Metals to be [select one] [bronze, white, custom color] baked enamel painted or powder coated aluminum, or [select one] [copper, lead-coated copper, Rheinzink, tern-plated stainless steel].
  16. Glazing Tapes: Supplied glazing tapes to be black preformed cellular type, consisting of a flexible closed cell polyolefin foam substrate with a high performance pressure sensitive acrylic adhesive system on both sides.
  17. Sealants: Supplied sealants to be one-part low modulus neutral cure silicone.
  18. Finish: All [select one] [interior, exterior, interior and exterior] wood surfaces to be factory-primed with one (1) coat of [select one] [clear wood sealer, Ultra-Hide Aquacrylic Gripper Stain Killer Primer Sealer]. All surfaces to be backside primed prior to component assembly.  
  
All [select one] [interior, exterior, interior and exterior] wood surfaces to receive [select one] [one, two] factory-applied coats of latex finish paint in a color as specified.

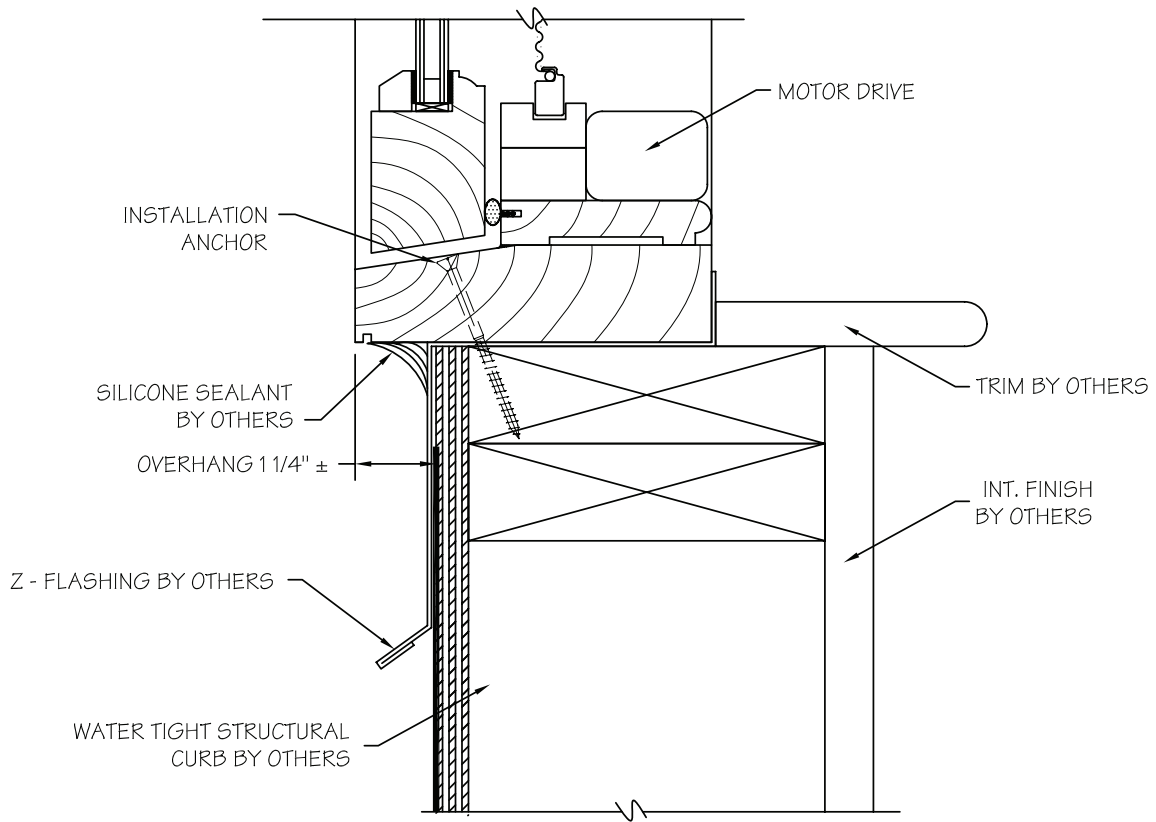
**RENAISSANCE CONSERVATORIES**

132 Ashmore Drive, Leola, PA 17540 800-882-4657 717-661-7520 Fax 717-661-7727  
[www.RenaissanceConservatories.com](http://www.RenaissanceConservatories.com)



**RENAISSANCE CONSERVATORIES  
GLASS PERFORMANCE FOR TYPICAL GLAZING COMBINATIONS**

Manufacturer	Product Trade Name (Coated Surface No.)	Type of Low E Coating	Substrate Outboard/ Inboard	Visible light		Ultraviolet Trans %	Solar Trans %	Solar Reflect- ance Outside %	U-Factor / U-Value (Imperial)				Shading Coef- ficient	Solar Heat Gain Coef- ficient	Relative Heat Gain	Light to Solar Gain (LSG)	
				Trans %	Reflectance				Winter Night-time Air Fill	Winter Night-time Argon Fill	Summer Daytime Air Fill	Summer Daytime Argon Fill					
					Outside %												Inside %
<b>ROOF GLASS All performance figures are approximate. (* Inboard lite is clear laminated glass)</b>																	
PPG	Clear (non coated)		Clear/Clear*	79	15	15	<1	56	11	0.46	0.44	0.49	0.47	0.79	0.68	165	1.16
	Sungate 500 Low-E (#2)		Clear/Clear*	73	16	17	<1	49	13	0.34	0.30	0.34	0.30	0.70	0.61	145	1.20
PPG	Sungate 500 Low-E (#2 & #3)		Clear/Clear*	68	18	18	<1	44	15	0.32	0.27	0.31	0.26	0.67	0.58	139	1.17
Guardian	SunGuard SuperNeutral 68 Low-E (#2)		Clear/Clear*	67	11	12	<1	31	32	0.29	0.24	0.27	0.22	0.43	0.37	90	1.17
Guardian	SunGuard SuperNeutral 68 Low-E (#2 & #3)		Clear/Clear*	56	9	8	<1	23	32	0.28	0.23	0.26	0.21	0.40	0.34	83	1.63
Guardian	SunGuard SuperNeutral 54 Low-E (#2)		Clear/Clear*	52	13	17	<1	21	33	0.28	0.23	0.27	0.22	0.32	0.28	67	1.86
Guardian	SunGuard SuperNeutral 54 (#2) + SN 68 (#3)		Clear/Clear*	44	12	12	<1	17	33	0.28	0.23	0.26	0.21	0.30	0.26	64	1.69
Guardian/PPG	SunGuard SuperNeutral 54 (#2) + Sungate 500 (#3)		Soft/Hard	48	14	18	<1	19	34	0.28	0.23	0.27	0.22	0.31	0.27	65	1.78
Pilkington	Blue-Green Eclipse Adv. (#2)		Reflect/Clear*	51	21	29	<1	28	12	0.34	0.30	0.34	0.30	0.43	0.38	91	1.36
Pilkington	B-G Eclipse Adv. (#2) + Low-E (#3)		Reflect/Clear*	48	22	29	<1	25	13	0.31	0.26	0.31	0.27	0.41	0.35	86	1.36
Pilkington	B-G Eclipse Adv. (#2) + Low-E (#3)		Soft	42	20	0	<1	17	14	0.24	0.27	0.21	0.33	0.29	0.29	70	1.47
PPG	Solarcool Bronze (#2)		Reflect/Clear*	19	14	37	<1	19	12	0.46	0.44	0.49	0.47	0.38	0.33	83	0.58
PPG	Solarcool Bronze (#2) + Low-E (#3)		Reflect/Clear*	18	14	36	<1	16	13	0.34	0.30	0.34	0.31	0.33	0.29	72	0.63
PPG	Solarcool Bronze (#2) + Low-E (#3)		Soft	15	14	25	<1	8	18	0.28	0.24	0.27	0.22	0.21	0.18	45	0.85
PPG	Solarcool Gray (#2)		Reflect/Clear*	16	11	37	<1	16	10	0.46	0.44	0.49	0.47	0.35	0.33	77	0.53
PPG	Solarcool Gray (#2) + Low-E (#3)		Hard	15	11	36	<1	13	10	0.34	0.30	0.34	0.31	0.30	0.26	65	0.58
PPG	Solarcool Gray (#2) + Low-E (#3)		Soft	14	11	29	<1	7	14	0.29	0.24	0.27	0.22	0.19	0.16	42	0.88
<b>VERTICAL GLASS All performance figures are approximate.</b>																	
	Clear (non coated)		Clear/Clear	79	15	15	50	61	12	0.47	0.45	0.50	0.48	0.81	0.70	169	1.13
PPG	Sungate 500 Low-E (#3)		Clear/Clear	74	17	17	42	52	15	0.35	0.31	0.35	0.31	0.76	0.66	156	1.12
PPG	Solarban 60 Low-E (#3)		Soft	70	12	11	19	33	31	0.29	0.24	0.27	0.22	0.52	0.45	107	1.56
Guardian	ClimaGuard 71/38 Low-E (#3)		Clear/Clear	71	10	12	-	36	37	0.40	-	0.41	-	0.46	0.40	98	-
Guardian	ClimaGuard 55/27 Low-E (#3)		Soft	55	12	17	-	24	37	0.40	-	0.41	-	0.34	0.30	73	-
PPG	SolarBronze Tint (outboard)		Tint/Clear	47	8	13	21	39	7	0.47	0.45	0.50	0.48	0.59	0.51	124	0.92
PPG	SolarGray Tint (outboard)		Tint/Clear	40	7	13	20	33	7	0.47	0.45	0.50	0.48	0.53	0.45	112	0.89
<b>SINGLE GLAZED All performances are approximate.</b>																	
	Clear (non coated)		Clear	89	9	9	66	77	7	1.02	NA	0.93	NA	0.94	0.82	201	1.09
	Clear Laminated (non coated)		Clear	88	8	8	<1	71	7	0.98	NA	0.89	NA	0.89	0.77	191	1.14
PPG	SolarBronze Tint		Tint	53	6	6	26	50	6	1.02	NA	0.93	NA	0.73	0.63	159	0.84
PPG	SolarGray Tint		Tint	44	6	6	24	42	5	1.02	NA	0.93	NA	0.67	0.58	147	0.76
Southwall	XIR Laminated 72-41		Clear	72	8	8	0.02	34	34	1.07	NA	NA	NA	0.48	0.41	110	NA
Southwall	XIR Laminated 72-41 (Low "E")		Hard	66	10	11	0.02	33	33	0.75	NA	NA	NA	0.41	0.35	92	NA
Southwall	XIR Laminated 72-41 (Bronze)			53	8	7	0.02	34	34	1.07	NA	NA	NA	0.41	0.35	97	NA
Southwall	XIR Laminated 72-41 (Gray)		Tint	48	7	7	0.02	32	32	1.07	NA	NA	NA	0.40	0.35	96	NA



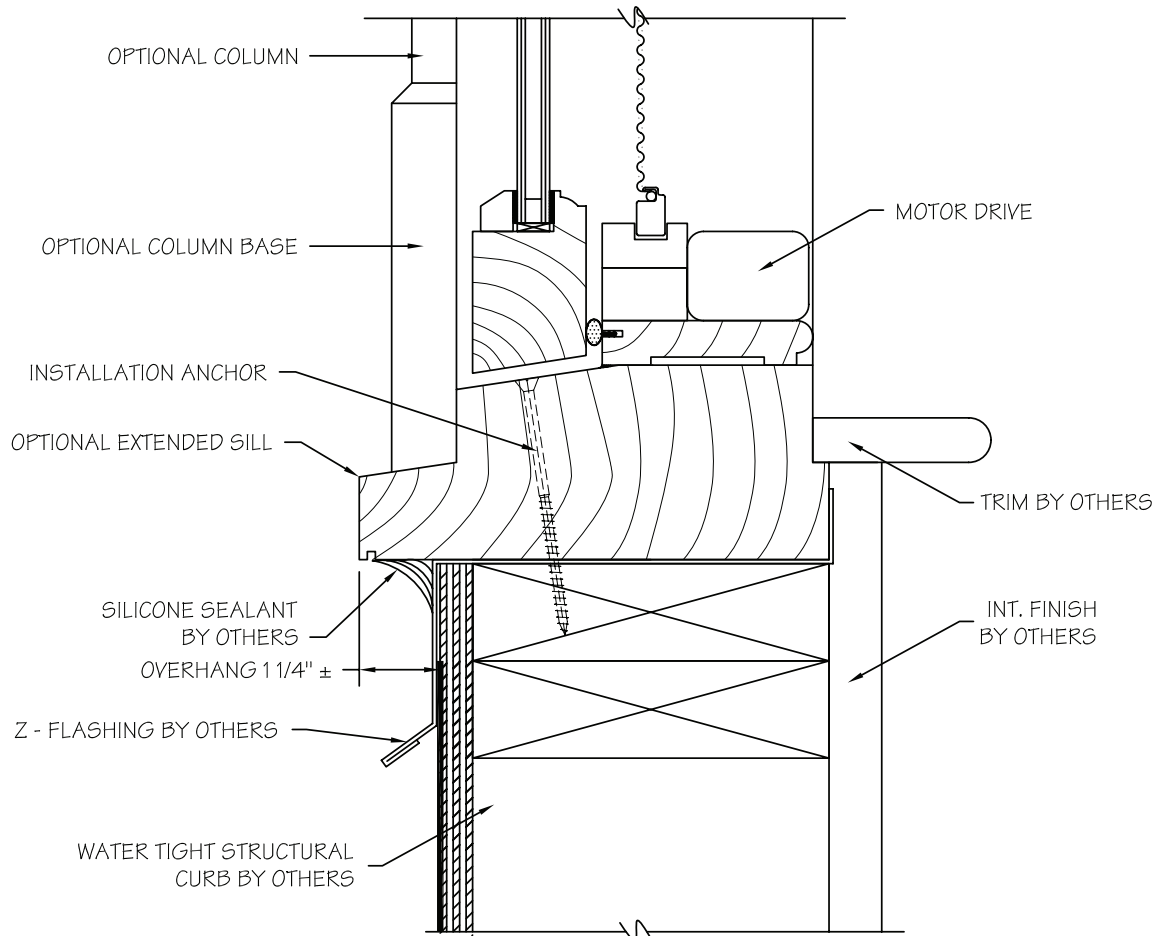
## TYPICAL LANTERN CURB

DRAWINGS AND DIMENSIONS ARE  
FOR ILLUSTRATION PURPOSES ONLY, AND ARE  
NOT FOR CONSTRUCTION.



132 Ashmore Drive  
Leola, Pennsylvania 17540  
(717) 661-7520 Fax (717) 661-7727

Scale: NTS	Page#: L1
Revision Date: 8-1-09	
File Name: Lantern Curb 1	



**TYPICAL LANTERN CURB  
WITH EXTENDED SILL**

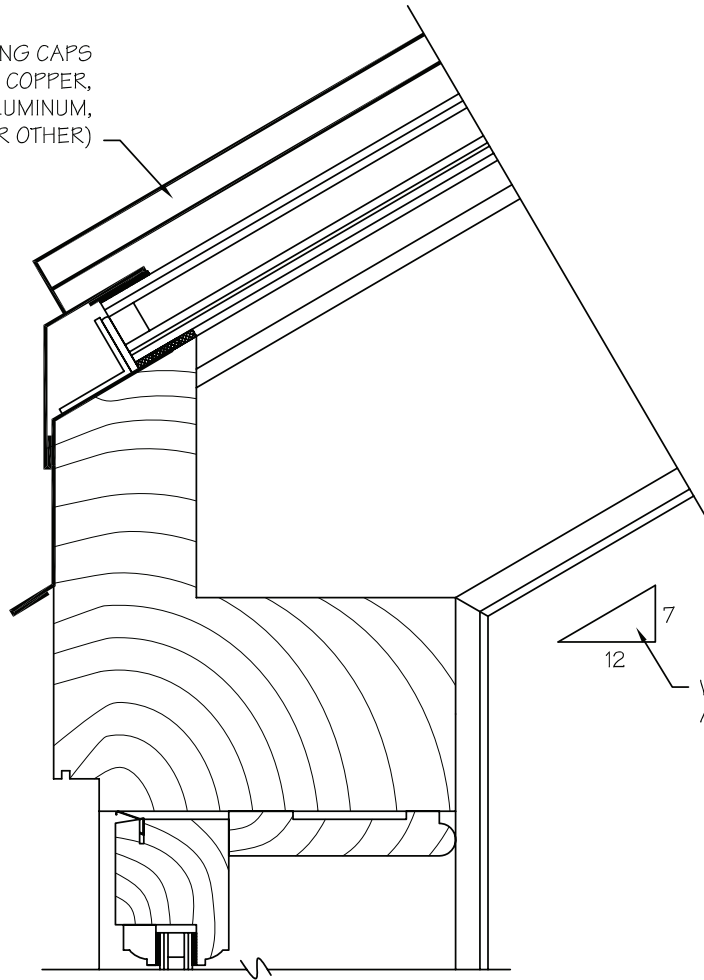
DRAWINGS AND DIMENSIONS ARE  
FOR ILLUSTRATION PURPOSES ONLY, AND ARE  
NOT FOR CONSTRUCTION.



132 Ashmore Drive  
Leola, Pennsylvania 17540  
(717) 661-7520 Fax (717) 661-7727

Scale: NTS	Page#: L2
Revision Date: 8-1-09	
File Name: Lantern Curb 2	

GLAZING CAPS  
(COPPER, LEAD-COATED COPPER,  
RHEINZINK, ALUMINUM,  
STAINLESS STEEL, OR OTHER)



7  
12  
VARIABLE PITCH  
AS REQUIRED

## TYPICAL LANTERN EAVES

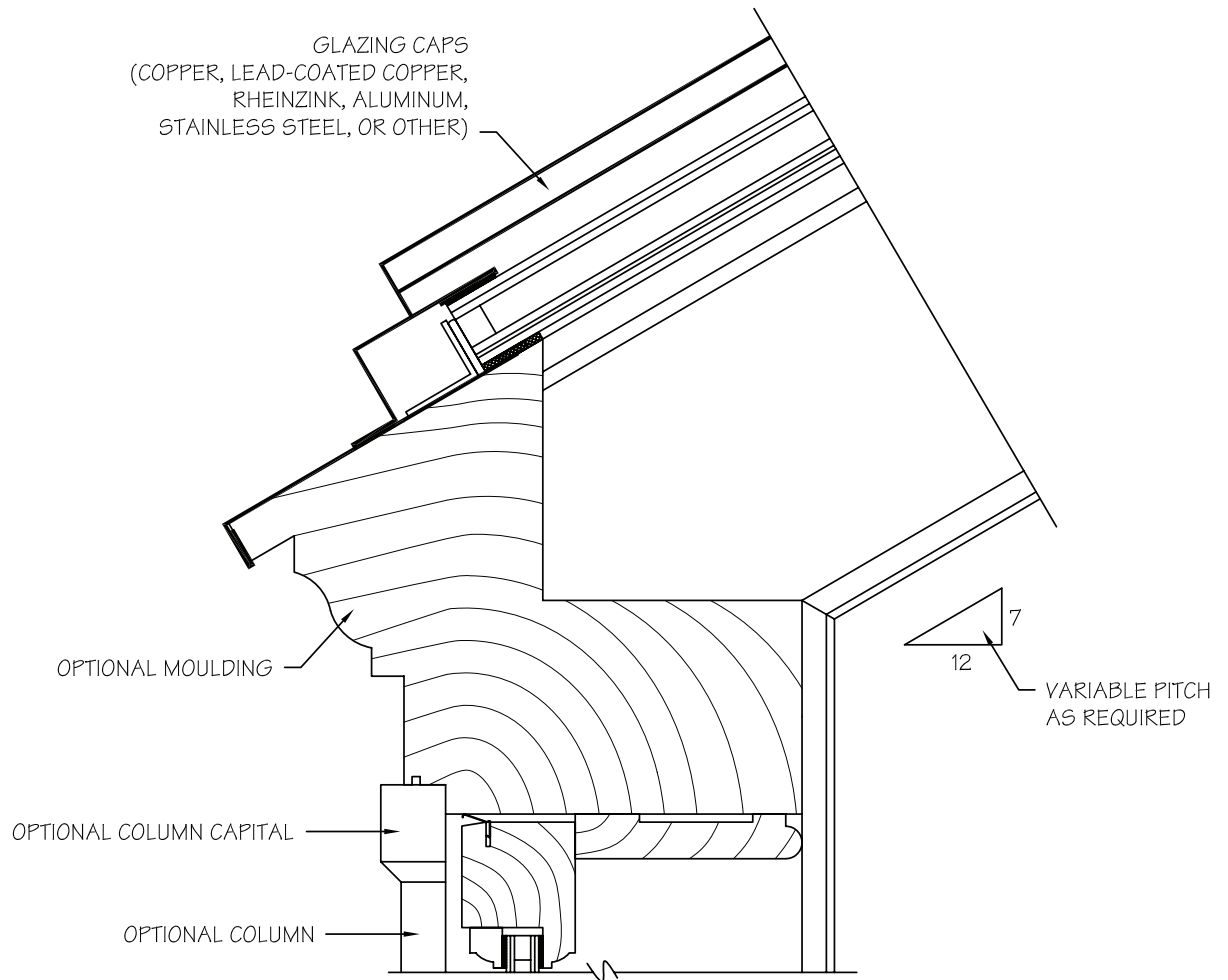
DRAWINGS AND DIMENSIONS ARE  
FOR ILLUSTRATION PURPOSES ONLY, AND ARE  
NOT FOR CONSTRUCTION.



132 Ashmore Drive  
Leola, Pennsylvania 17540  
(717) 661-7520 Fax (717) 661-7727

Scale: NTS	Page#: L3
Revision Date: 8-1-09	
File Name: Lantern Eaves 1	





TYPICAL LANTERN  
ARTICULATED EAVES

DRAWINGS AND DIMENSIONS ARE  
FOR ILLUSTRATION PURPOSES ONLY, AND ARE  
NOT FOR CONSTRUCTION.

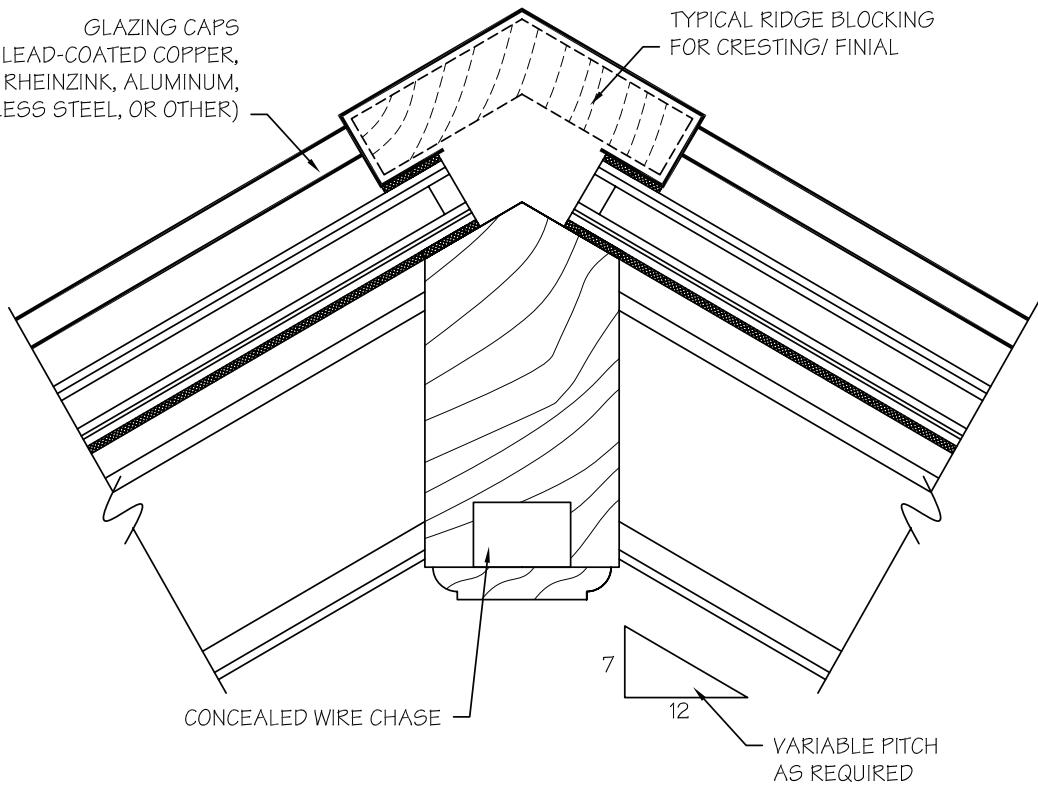


132 Ashmore Drive  
Leola, Pennsylvania 17540  
(717) 661-7520 Fax (717) 661-7727

Scale: NTS	Page#: L4
Revision Date: 8-1-09	
File Name: Lantern Eaves 2	

GLAZING CAPS  
(COPPER, LEAD-COATED COPPER,  
RHEINZINK, ALUMINUM,  
STAINLESS STEEL, OR OTHER)

TYPICAL RIDGE BLOCKING  
FOR CRESTING/ FINIAL



## TYPICAL LANTERN RIDGE DETAIL

DRAWINGS AND DIMENSIONS ARE  
FOR ILLUSTRATION PURPOSES ONLY, AND ARE  
NOT FOR CONSTRUCTION.



132 Ashmore Drive  
Leola, Pennsylvania 17540  
(717) 661-7520 Fax (717) 661-7727

Scale: NTS

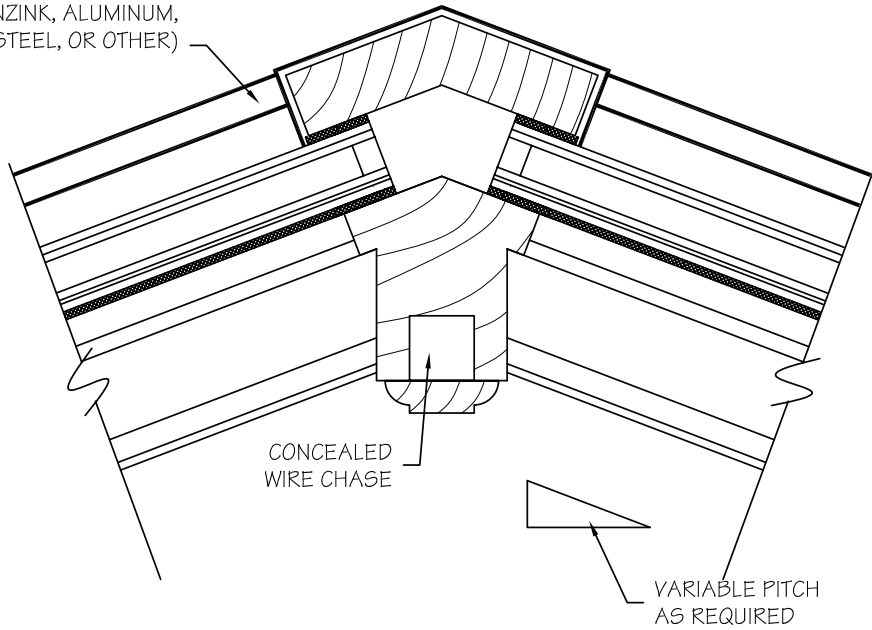
Page#:

Revision Date: 8-1-09

**L5**

File Name: Lantern Ridge

GLAZING CAPS  
(COPPER, LEAD-COATED COPPER,  
RHEINZINK, ALUMINUM,  
STAINLESS STEEL, OR OTHER)



## TYPICAL LANTERN HIP

DRAWINGS AND DIMENSIONS ARE  
FOR ILLUSTRATION PURPOSES ONLY, AND ARE  
NOT FOR CONSTRUCTION.



132 Ashmore Drive  
Leola, Pennsylvania 17540  
(717) 661-7520 Fax (717) 661-7727

Scale: NTS

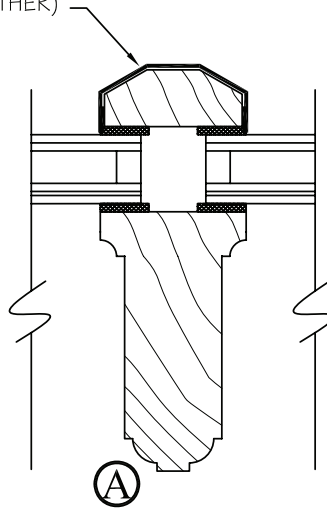
Page#:

Revision Date: 8-1-09

**L6**

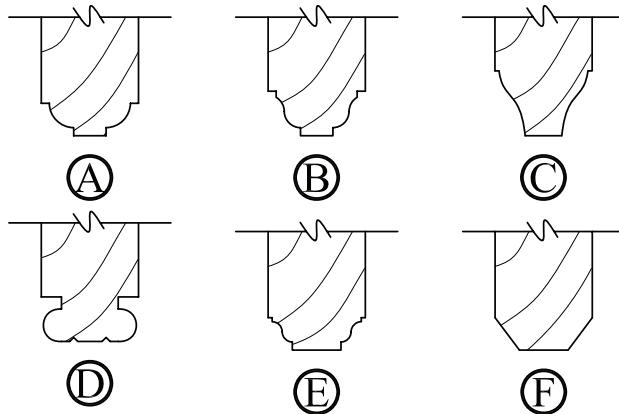
File Name: Lantern Hip

GLAZING CAPS  
(COPPER, LEAD-COATED COPPER,  
RHEINZINK, ALUMINUM,  
STAINLESS STEEL, OR OTHER)



## TYPICAL LANTERN RAFTER DETAIL

## ALTERNATE RAFTER BOTTOM EDGE PROFILES

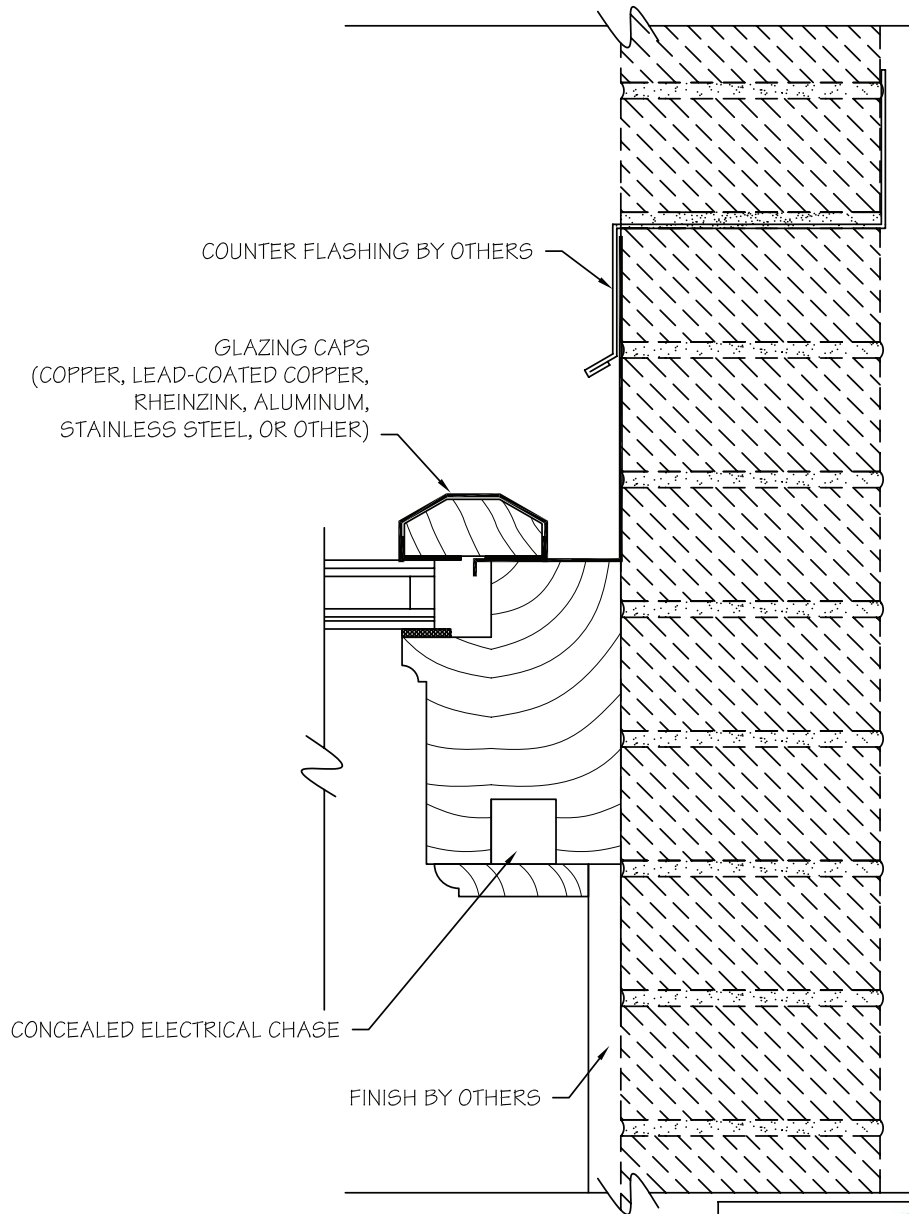


DRAWINGS AND DIMENSIONS ARE  
FOR ILLUSTRATION PURPOSES ONLY, AND ARE  
NOT FOR CONSTRUCTION.



132 Ashmore Drive  
Leola, Pennsylvania 17540  
(717) 661-7520 Fax (717) 661-7727

Scale: NTS	Page#: L7
Revision Date: 8-1-09	
File Name: Lantern Rafter	



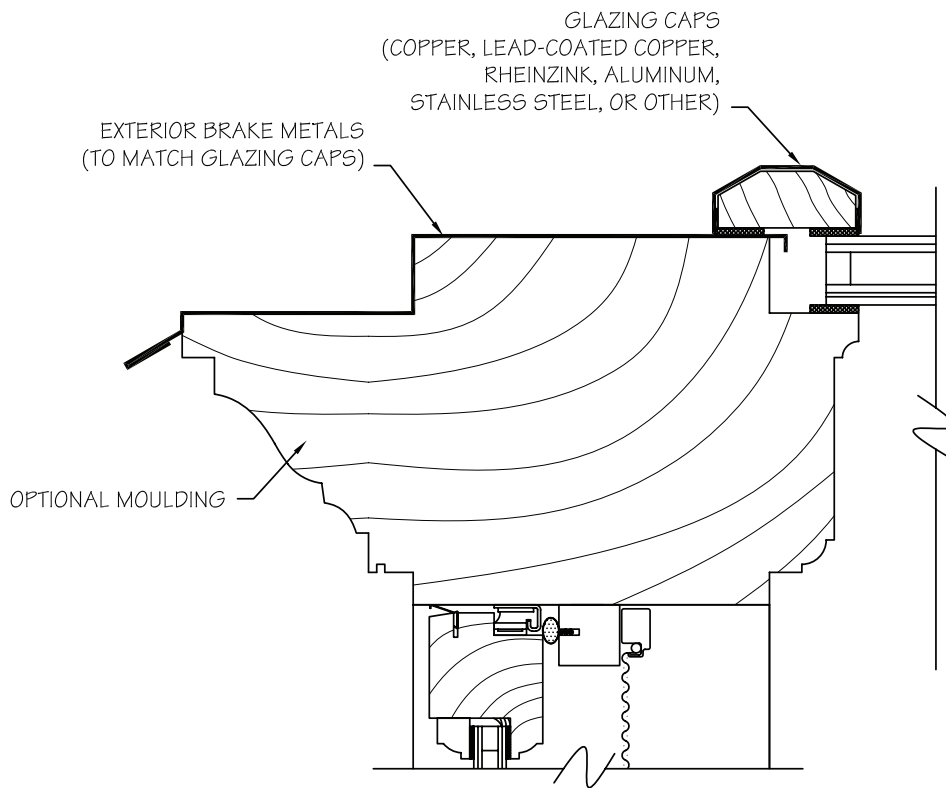
**TYPICAL LANTERN RAFTER  
@ BUILDING WALL**

DRAWINGS AND DIMENSIONS ARE  
FOR ILLUSTRATION PURPOSES ONLY, AND ARE  
NOT FOR CONSTRUCTION.



132 Ashmore Drive  
Leola, Pennsylvania 17540  
(717) 661-7520 Fax (717) 661-7727

Scale: NTS	Page#: L8
Revision Date: 8-1-09	
File Name: Lantern Rafter 2	



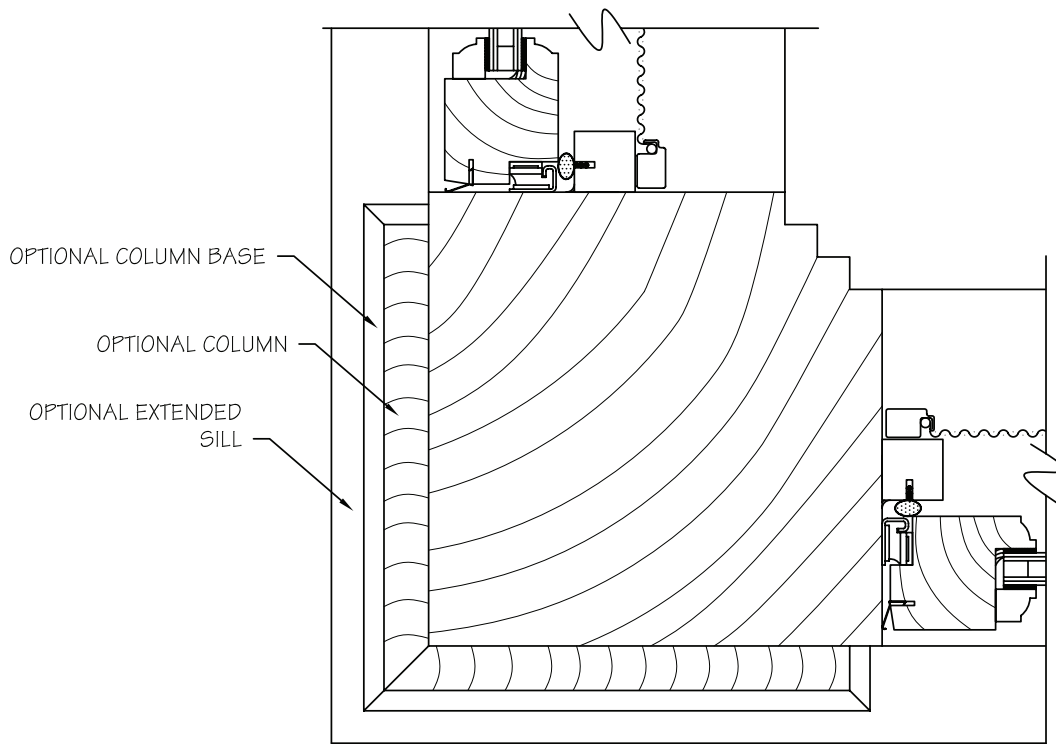
TYPICAL LANTERN RAFTER  
@ GABLE END

DRAWINGS AND DIMENSIONS ARE  
FOR ILLUSTRATION PURPOSES ONLY, AND ARE  
NOT FOR CONSTRUCTION.



132 Ashmore Drive  
Leola, Pennsylvania 17540  
(717) 661-7520 Fax (717) 661-7727

Scale: NTS	Page#: L9
Revision Date: 8-1-09	
File Name: Lantern Rake	



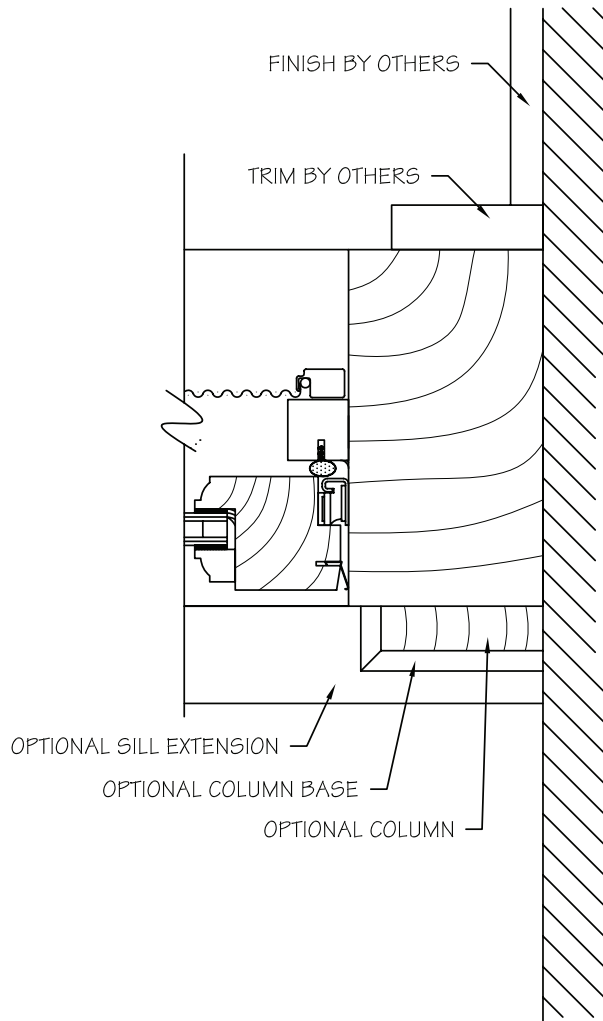
## TYPICAL LANTERN CORNER DETAIL

DRAWINGS AND DIMENSIONS ARE  
FOR ILLUSTRATION PURPOSES ONLY, AND ARE  
NOT FOR CONSTRUCTION.



132 Ashmore Drive  
Leola, Pennsylvania 17540  
(717) 661-7520 Fax (717) 661-7727

Scale: NTS	Page#: L10
Revision Date: 8-1-09	
File Name: Lantern Corner	



**TYPICAL LANTERN CONNECTION**  
**@ BUILDING WALL**

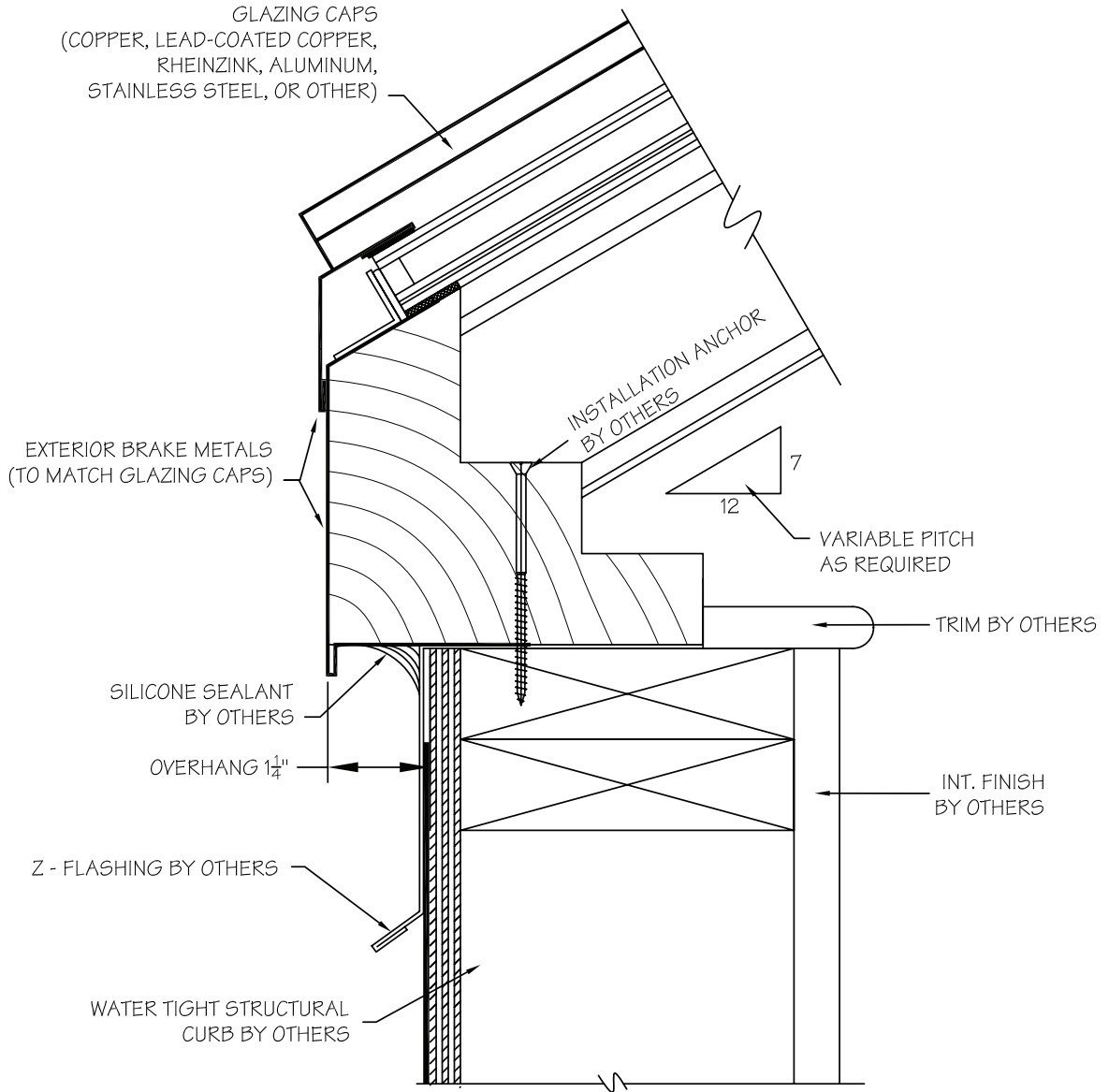
DRAWINGS AND DIMENSIONS ARE  
 FOR ILLUSTRATION PURPOSES ONLY, AND ARE  
 NOT FOR CONSTRUCTION.



132 Ashmore Drive  
 Leola, Pennsylvania 17540  
 (717) 661-7520 Fax (717) 661-7727

Scale: NTS	Page#: L11
Revision Date: 8-1-09	
File Name: Lantern Connection	





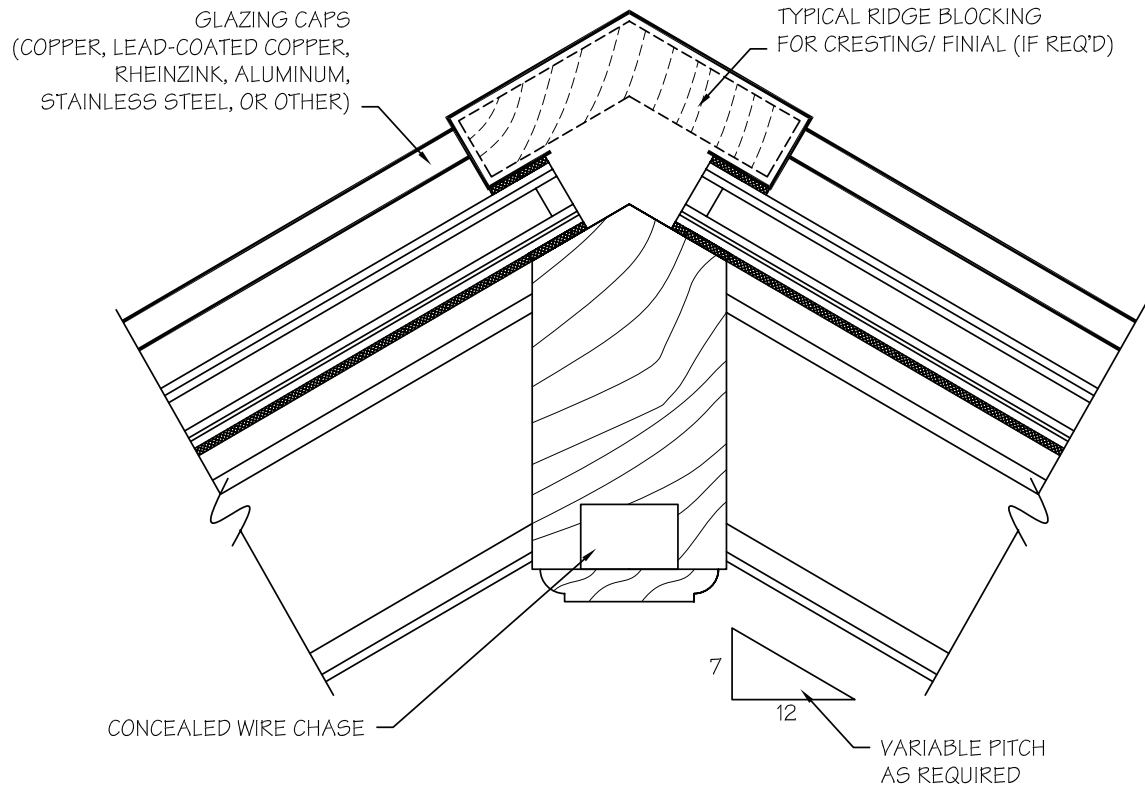
## TYPICAL SKYLIGHT SILL-TO-CURB

DRAWINGS AND DIMENSIONS ARE  
FOR ILLUSTRATION PURPOSES ONLY, AND ARE  
NOT FOR CONSTRUCTION.



132 Ashmore Drive  
Leola, Pennsylvania 17540  
(717) 661-7520 Fax (717) 661-7727

Scale: NTS	Page#: S1
Revision Date: 8-1-09	
File Name: Skylight Sill	



## TYPICAL SKYLIGHT RIDGE DETAIL

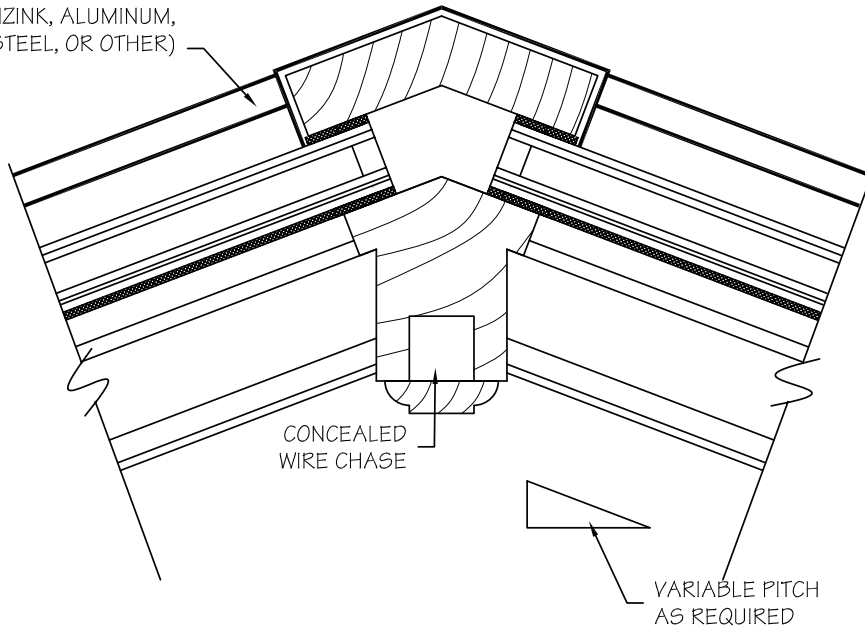
DRAWINGS AND DIMENSIONS ARE  
FOR ILLUSTRATION PURPOSES ONLY, AND ARE  
NOT FOR CONSTRUCTION.



132 Ashmore Drive  
Leola, Pennsylvania 17540  
(717) 661-7520 Fax (717) 661-7727

Scale: NTS	Page#: S2
Revision Date: 8-1-09	
File Name: Skylight Ridge	

GLAZING CAPS  
(COPPER, LEAD-COATED COPPER,  
RHEINZINK, ALUMINUM,  
STAINLESS STEEL, OR OTHER)



## TYPICAL SKYLIGHT HIP

DRAWINGS AND DIMENSIONS ARE  
FOR ILLUSTRATION PURPOSES ONLY, AND ARE  
NOT FOR CONSTRUCTION.



132 Ashmore Drive  
Leola, Pennsylvania 17540  
(717) 661-7520 Fax (717) 661-7727

Scale: NTS

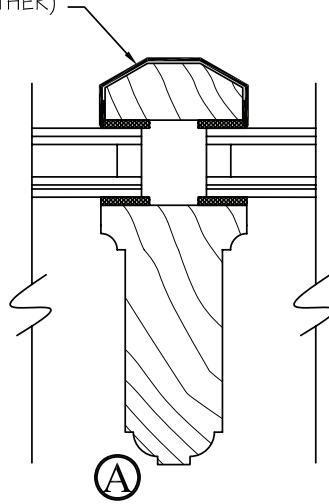
Page#:

Revision Date: 8-1-09

**S3**

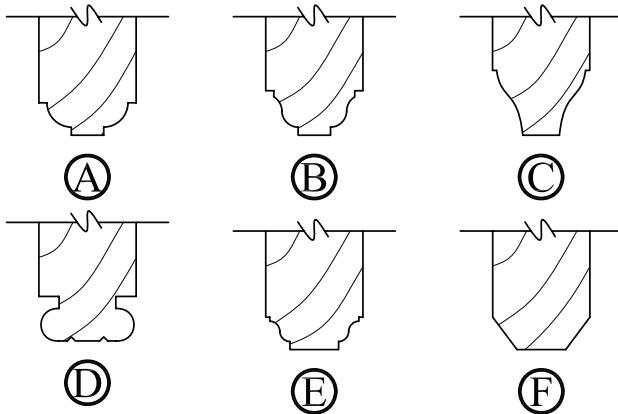
File Name: Lantern Hip

GLAZING CAPS  
(COPPER, LEAD-COATED COPPER,  
RHEINZINK, ALUMINUM,  
STAINLESS STEEL, OR OTHER)



## TYPICAL SKYLIGHT RAFTER DETAIL

## ALTERNATE RAFTER BOTTOM EDGE PROFILES



DRAWINGS AND DIMENSIONS ARE  
FOR ILLUSTRATION PURPOSES ONLY, AND ARE  
NOT FOR CONSTRUCTION.



132 Ashmore Drive  
Leola, Pennsylvania 17540  
(717) 661-7520 Fax (717) 661-7727

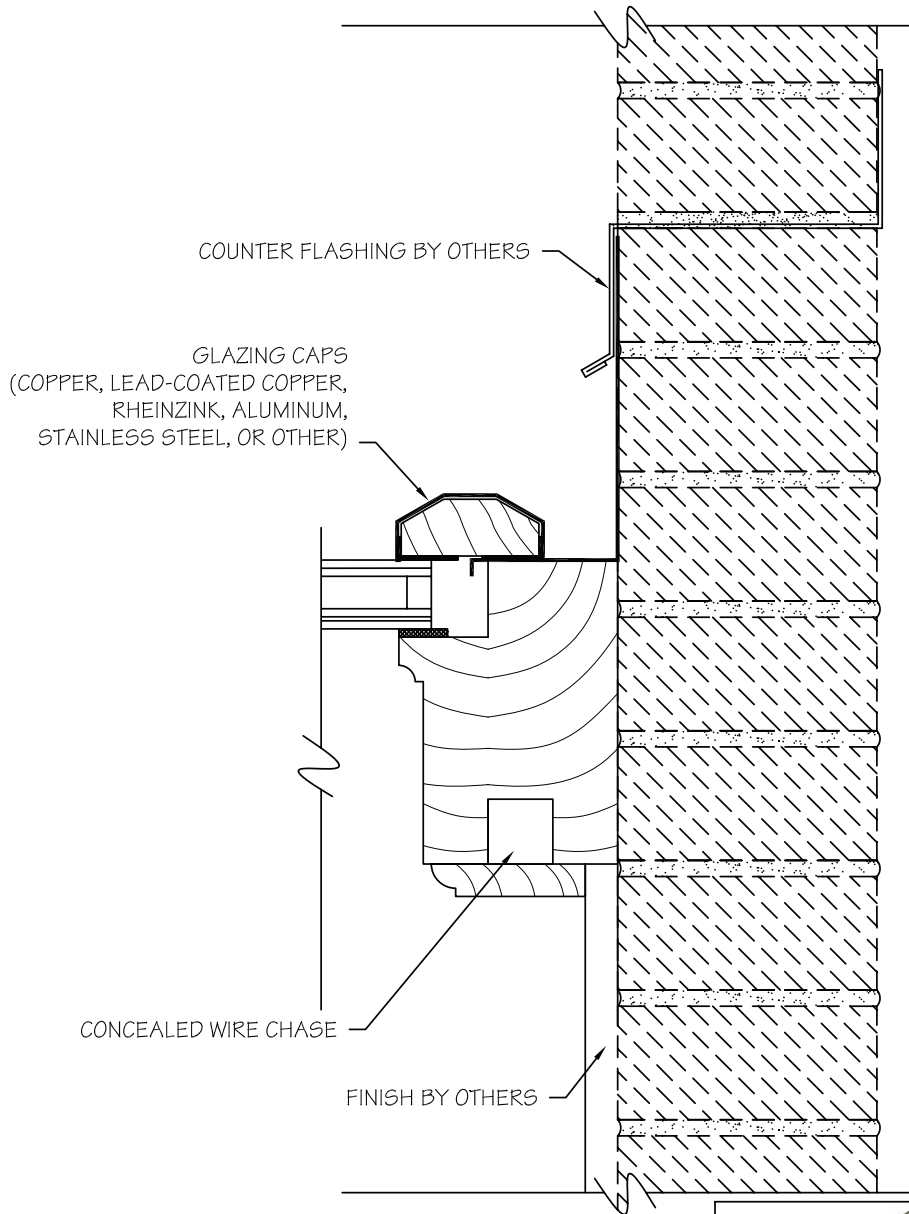
Scale: NTS

Page#:

Revision Date: 8-1-09

S4

File Name: Lantern Rafter



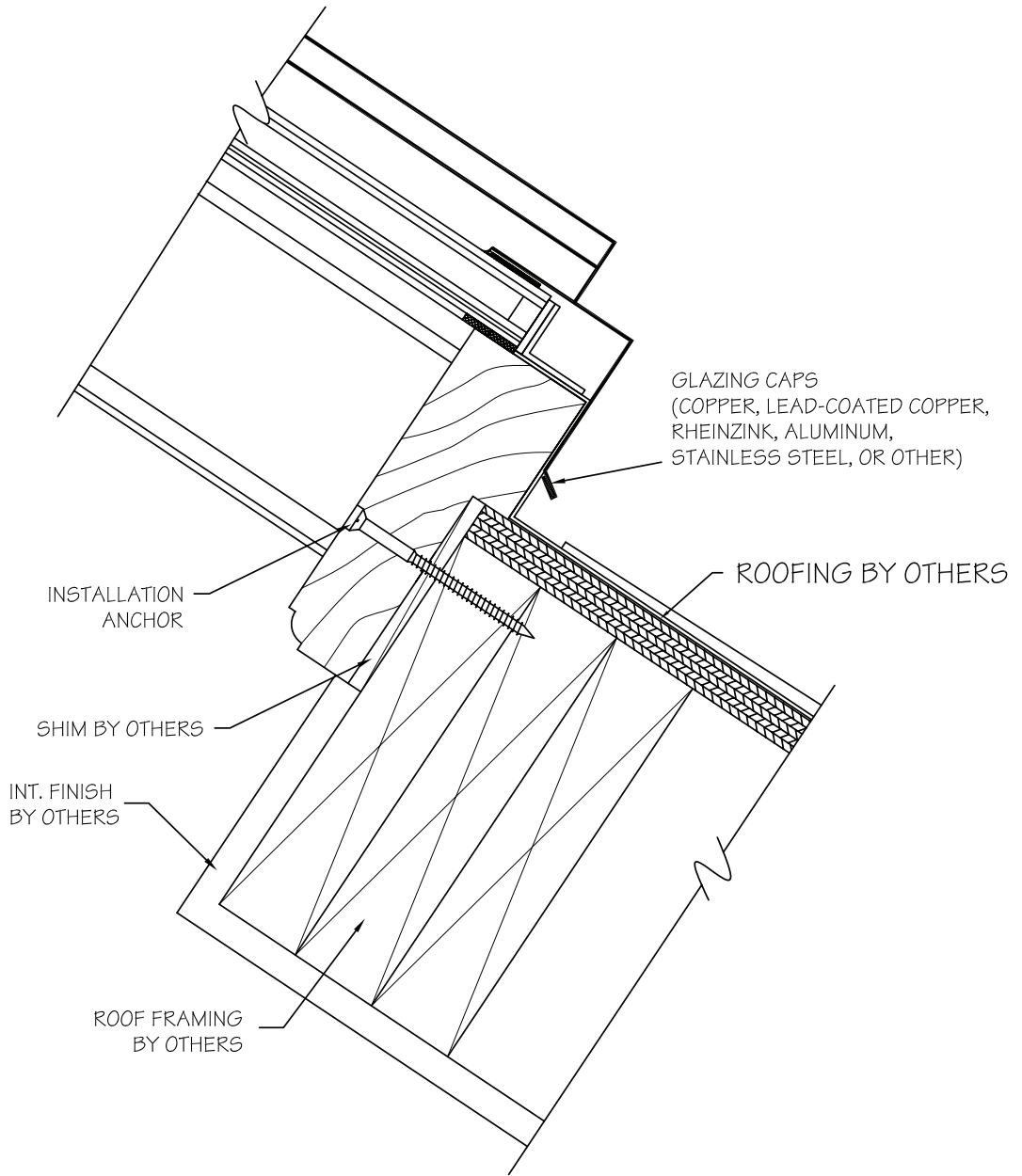
**TYPICAL SKYLIGHT RAFTER  
@ BUILDING WALL**

DRAWINGS AND DIMENSIONS ARE  
FOR ILLUSTRATION PURPOSES ONLY, AND ARE  
NOT FOR CONSTRUCTION.



132 Ashmore Drive  
Leola, Pennsylvania 17540  
(717) 661-7520 Fax (717) 661-7727

Scale: NTS	Page#: S5
Revision Date: 8-1-09	
File Name: Skylight Rafter 2	



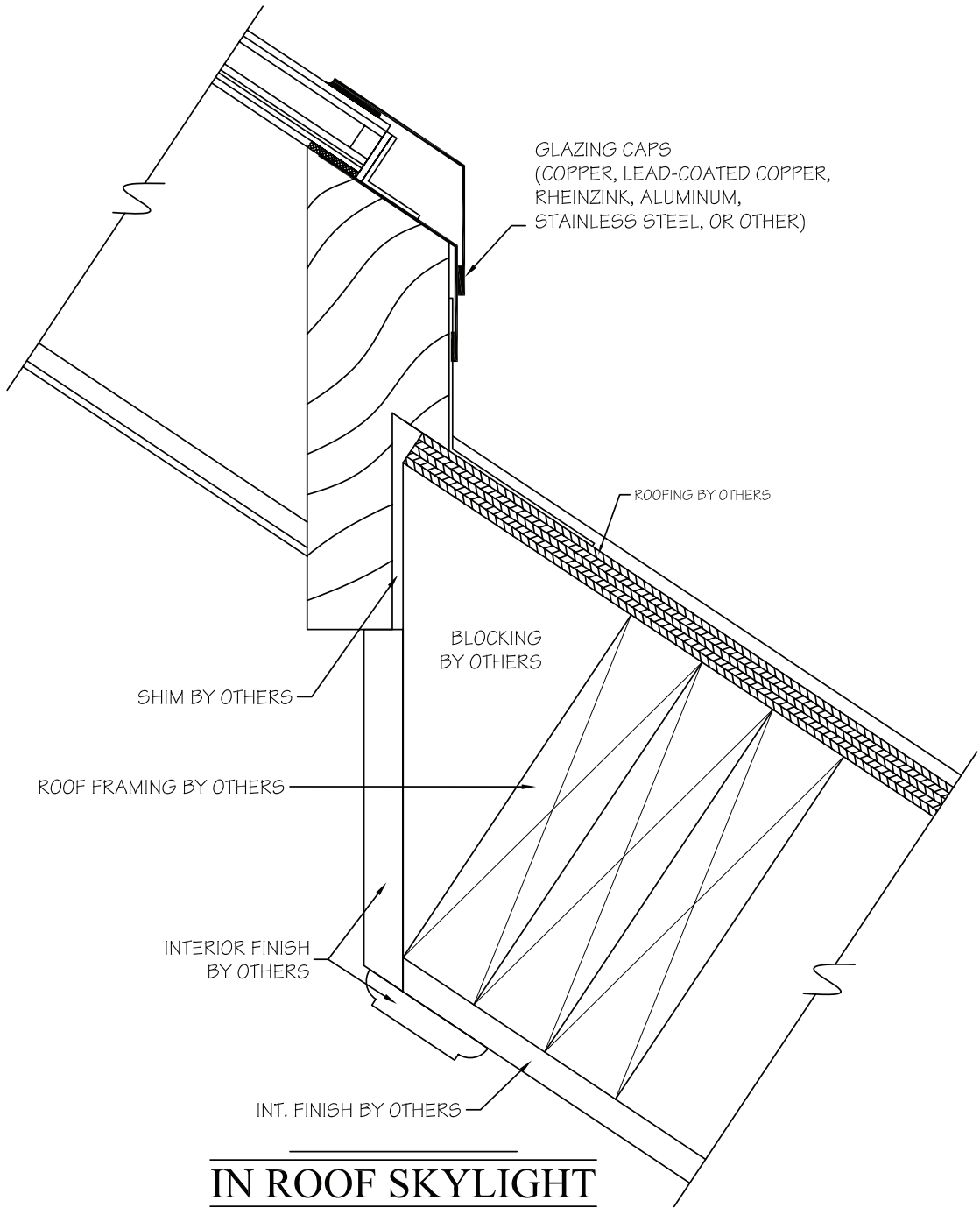
**IN ROOF SKYLIGHT  
SILL DETAIL**

DRAWINGS AND DIMENSIONS ARE  
FOR ILLUSTRATION PURPOSES ONLY, AND ARE  
NOT FOR CONSTRUCTION.



132 Ashmore Drive  
Leola, Pennsylvania 17540  
(717) 661-7520 Fax (717) 661-7727

Scale: NTS	Page#: S6A
Revision Date: 8-1-09	
File Name: In Roof Skylight Sill	



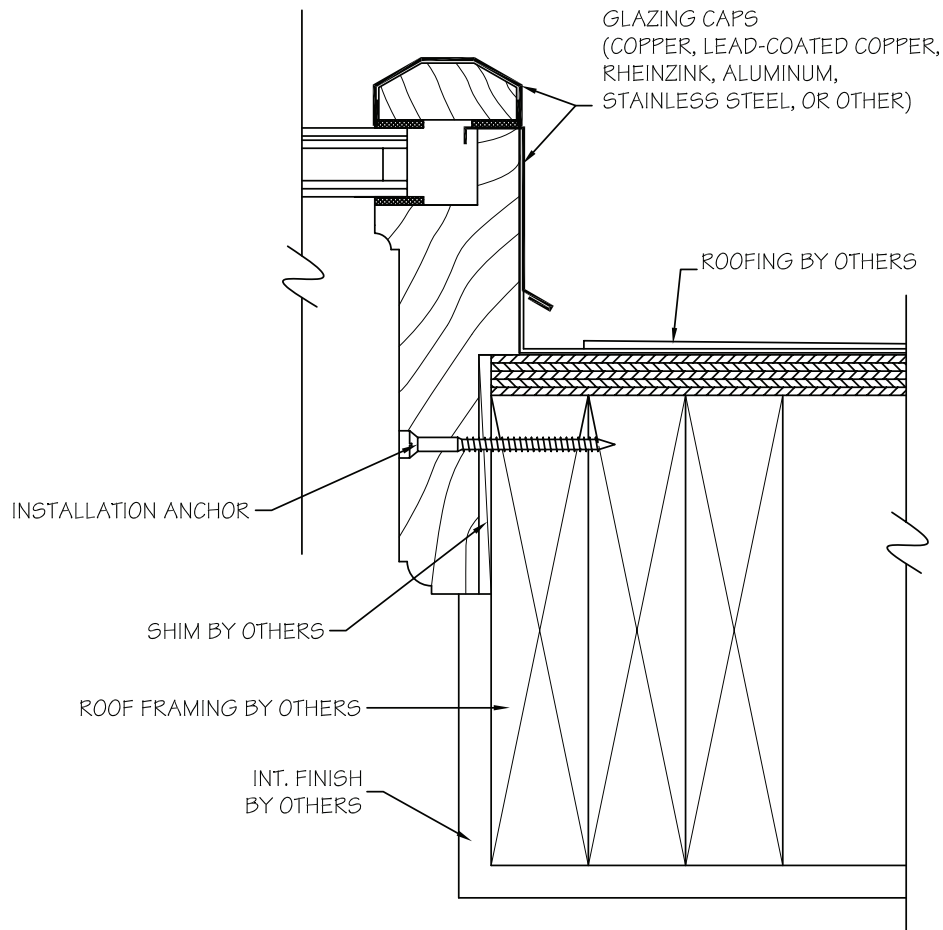
**IN ROOF SKYLIGHT**  
**SILL DETAIL**

DRAWINGS AND DIMENSIONS ARE  
FOR ILLUSTRATION PURPOSES ONLY, AND ARE  
NOT FOR CONSTRUCTION.



132 Ashmore Drive  
Leola, Pennsylvania 17540  
(717) 661-7520 Fax (717) 661-7727

Scale: NTS	Page#: S6B
Revision Date: 8-1-09	
File Name: In Roof Skylight Sill	



IN ROOF SKYLIGHT  
SIDE DETAIL

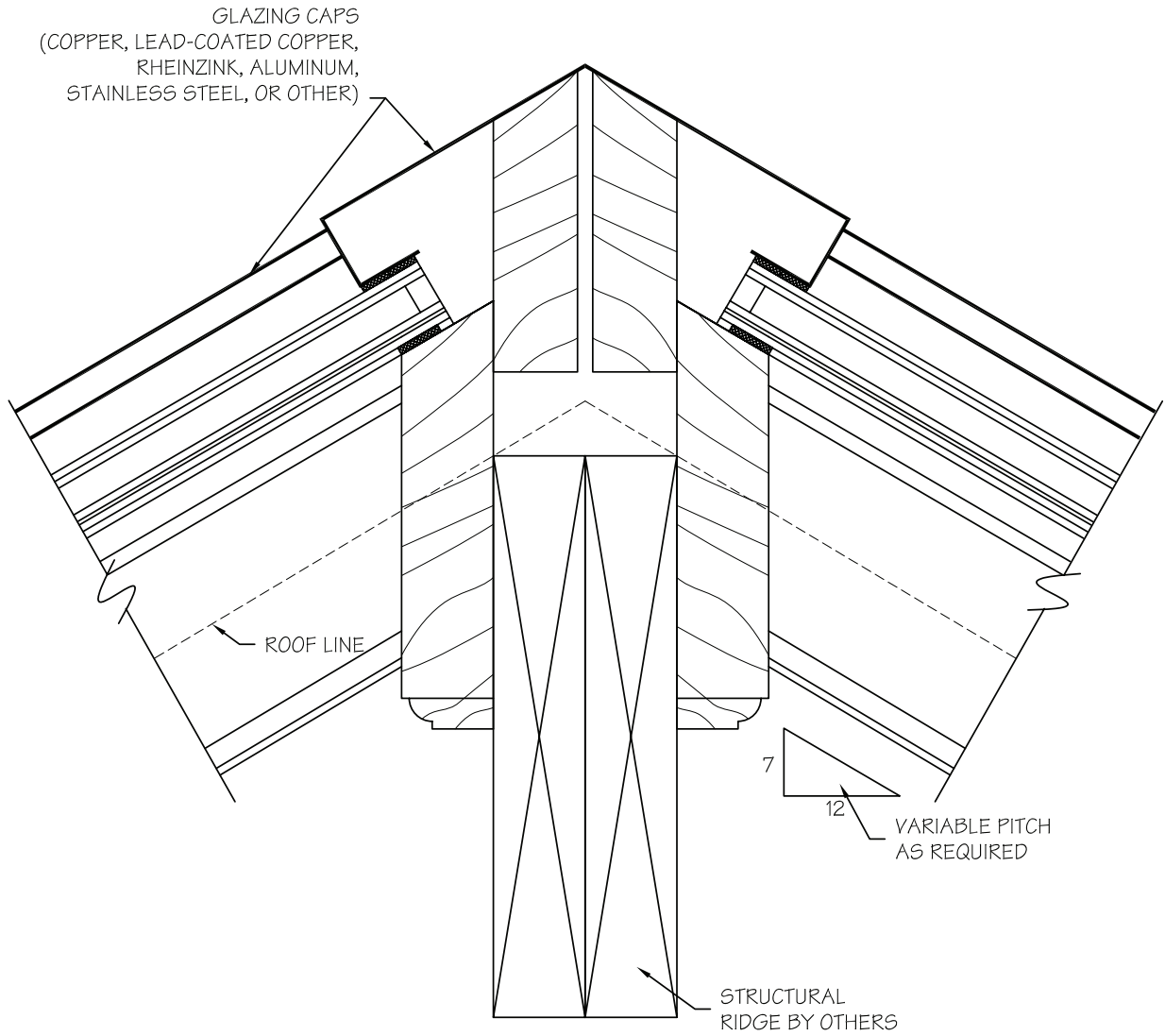
DRAWINGS AND DIMENSIONS ARE  
FOR ILLUSTRATION PURPOSES ONLY, AND ARE  
NOT FOR CONSTRUCTION.



132 Ashmore Drive  
Leola, Pennsylvania 17540  
(717) 661-7520 Fax (717) 661-7727

Scale: NTS	Page#: S7
Revision Date: 8-1-09	
File Name: In Roof Skylight Detail	





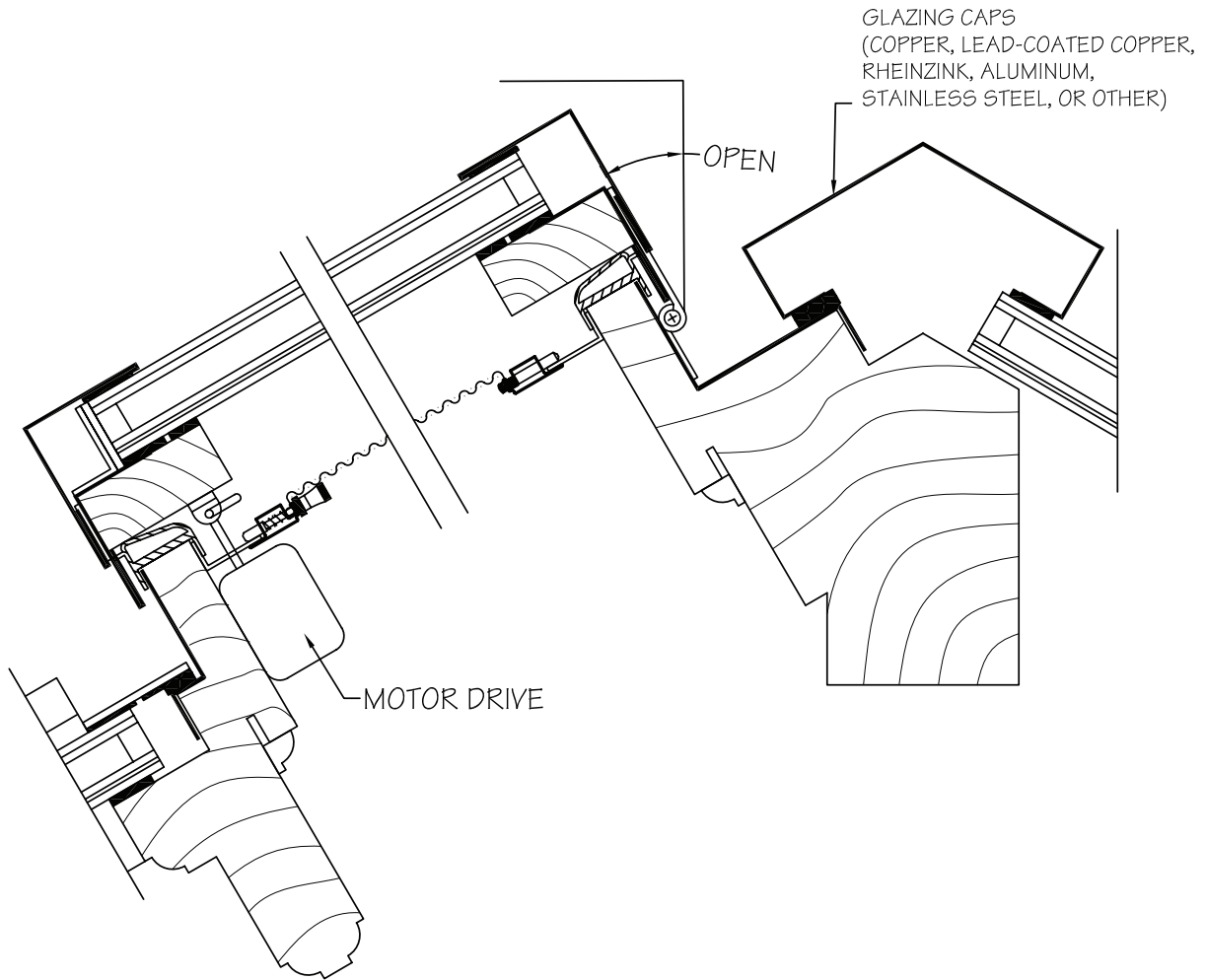
## IN ROOF SKYLIGHT RIDGE DETAIL

DRAWINGS AND DIMENSIONS ARE  
FOR ILLUSTRATION PURPOSES ONLY, AND ARE  
NOT FOR CONSTRUCTION.



132 Ashmore Drive  
Leola, Pennsylvania 17540  
(717) 661-7520 Fax (717) 661-7727

Scale: NTS	Page#: S8
Revision Date: 8-1-09	
File Name: Skylight Ridge	



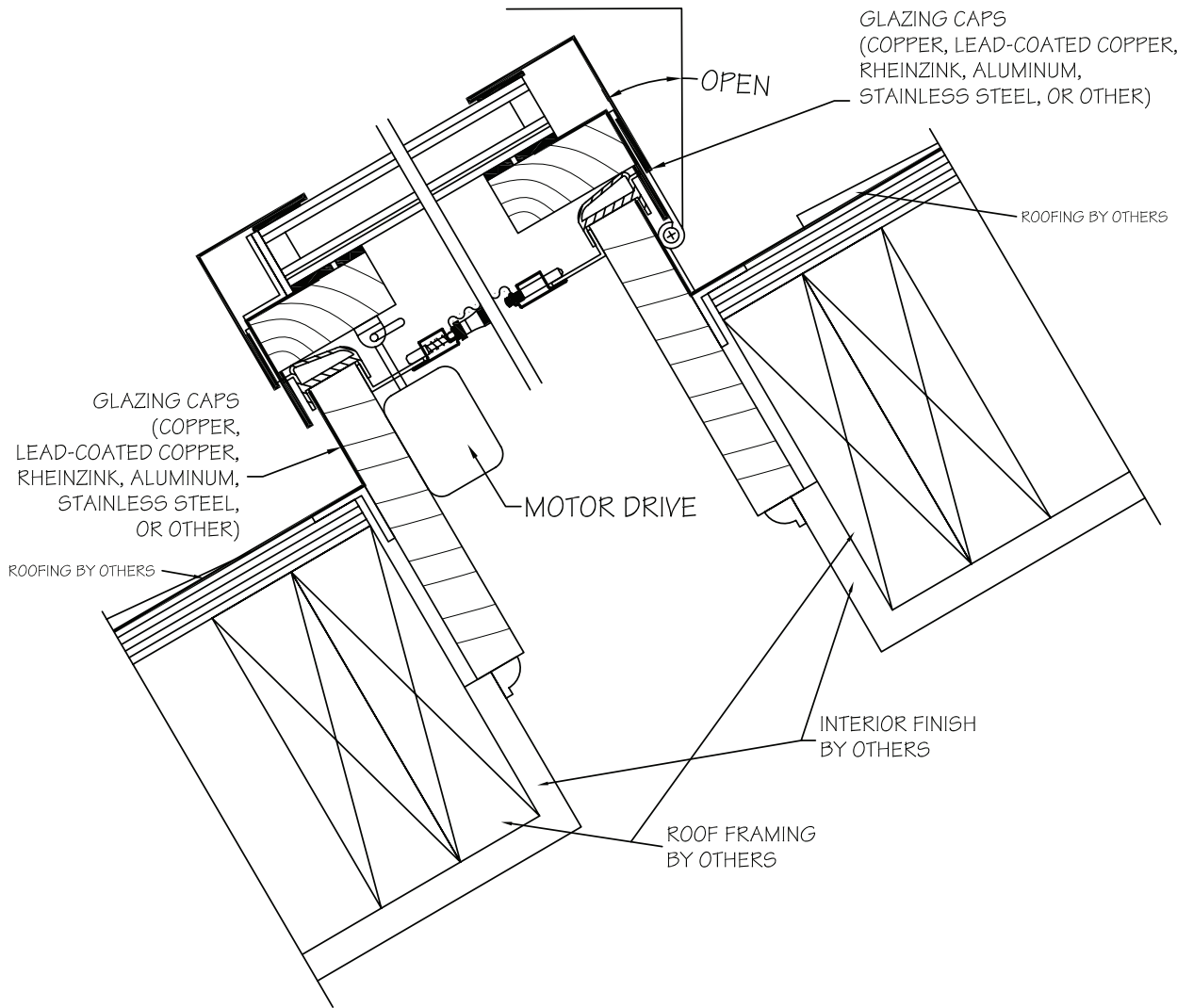
## OPERABLE SKYLIGHT DETAIL

DRAWINGS AND DIMENSIONS ARE  
FOR ILLUSTRATION PURPOSES ONLY, AND ARE  
NOT FOR CONSTRUCTION.



132 Ashmore Drive  
Leola, Pennsylvania 17540  
(717) 661-7520 Fax (717) 661-7727

Scale: NTS	Page#: S9
Revision Date: 8-1-09	
File Name: Operable Skylight	



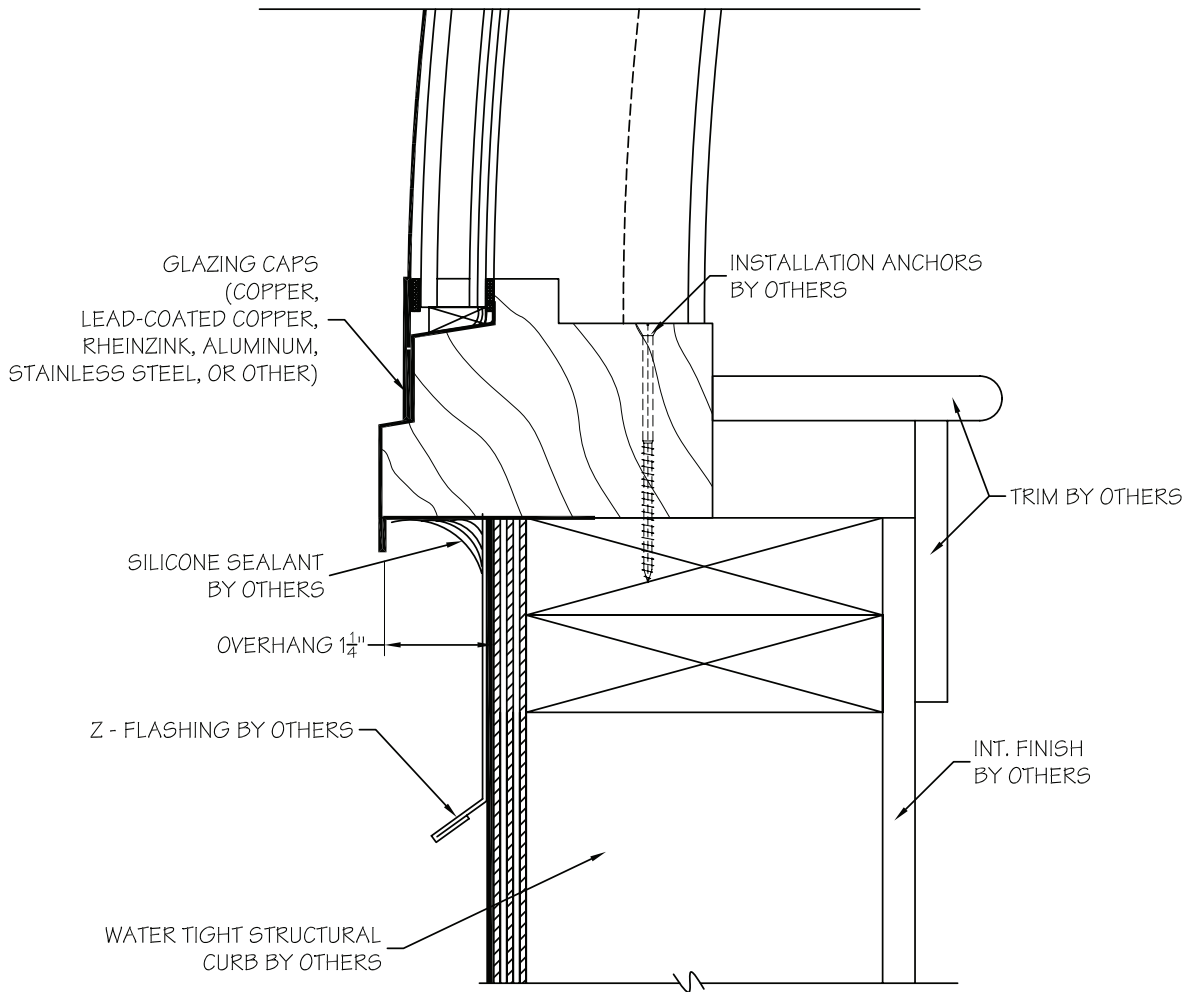
## OPERABLE IN-ROOF SKYLIGHT DETAIL

DRAWINGS AND DIMENSIONS ARE  
FOR ILLUSTRATION PURPOSES ONLY, AND ARE  
NOT FOR CONSTRUCTION.



132 Ashmore Drive  
Leola, Pennsylvania 17540  
(717) 661-7520 Fax (717) 661-7727

Scale: NTS	Page#: <b>S10</b>
Revision Date: 8-1-09	
File Name: In-Roof Operable Skylight	



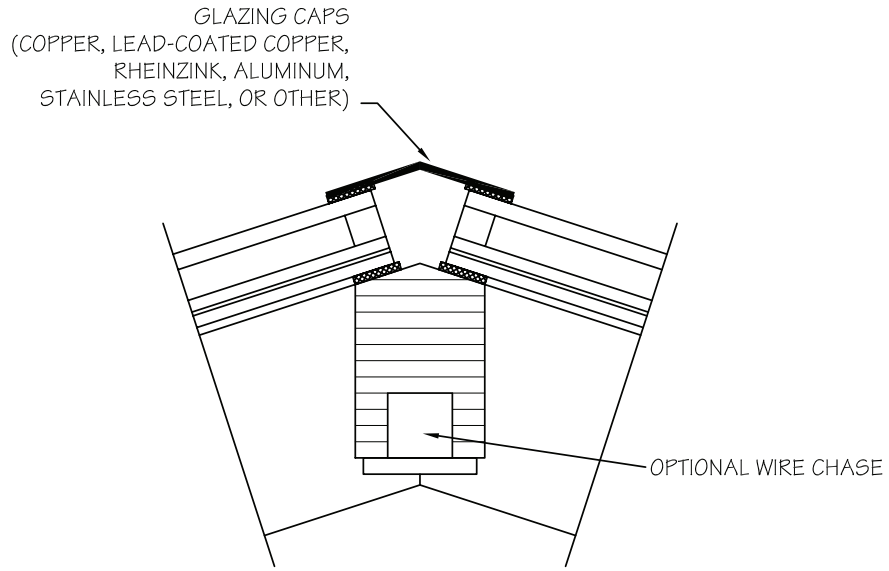
## DOMES SILL DETAIL

DRAWINGS AND DIMENSIONS ARE  
FOR ILLUSTRATION PURPOSES ONLY, AND ARE  
NOT FOR CONSTRUCTION.



132 Ashmore Drive  
Leola, Pennsylvania 17540  
(717) 661-7520 Fax (717) 661-7727

Scale: NTS	Page#: D1
Revision Date: 8-1-09	
File Name: Dome Sill	



## DOME RAFTER DETAIL

DRAWINGS AND DIMENSIONS ARE  
FOR ILLUSTRATION PURPOSES ONLY, AND ARE  
NOT FOR CONSTRUCTION.



132 Ashmore Drive  
Leola, Pennsylvania 17540  
(717) 661-7520 Fax (717) 661-7727

Scale: NTS	Page#: <b>D2</b>
Revision Date: 8-1-09	
File Name: Dome Rafter	

**RENAISSANCE CONSERVATORIES  
LANTERN, SKYLIGHT, GLASS ROOF & DOME WARRANTY**

Effective 9/1/2009

**(a) GENERAL DISCLAIMER-**

UNLESS OTHERWISE AGREED TO BY RENAISSANCE CONSERVATORIES IN WRITING, RENAISSANCE CONSERVATORIES MAKES NO WARRANTIES, EXPRESS OR IMPLIED, INCLUDING, BUT NOT LIMITED TO IMPLIED WARRANTIES OF MERCHANTABILITY OR FITNESS FOR A PARTICULAR PURPOSE. IN NO EVENT SHALL RENAISSANCE CONSERVATORIES BE LIABLE TO THE CUSTOMER FOR SPECIAL, DIRECT, INDIRECT, INCIDENTAL, OR CONSEQUENTIAL DAMAGES.

**(b) GLASS WARRANTY-**

Insulating glass panels are warranted to the CUSTOMER, (end-user), to be free from material obstruction of vision as a result of dust or film formation on its internal glass surfaces caused by failure of the hermetic edge seal due to faulty manufacturing of the unit for a period of ten (10) years from the date of manufacture in accordance with the following conditions and limitations:

- (1) This warranty is valid to the original CUSTOMER (end-user) and is transferable to any subsequent owners.
- (2) The Lantern or Skylight must be installed in strict accordance with RENAISSANCE CONSERVATORIES' recommended installation instructions, drawings and/or details without exception, including the use of adequate fasteners.
- (3) Factory-supplied sealants and flashing must be used exclusively.
- (4) The Lantern or Skylight CAN be part of an enclosure hot tub, spa, swimming pool, pond, or any other source of unusually high humidity.
- (5) Structural movement of any type will make this warranty null and void.
- (6) RENAISSANCE CONSERVATORIES assumes no responsibility for glass breakage, water leakage, condensation, improper usage, or failure of the insulating glass on account of faulty installation, faulty building construction, faulty design, improper handling, improper storage, or failure to follow RENAISSANCE CONSERVATORIES' instructions regarding installation.
- (7) RENAISSANCE CONSERVATORIES' sole responsibility is to replace the failed insulating glass, F.O.B. Leola, Pennsylvania, and includes no other expense, such as labor costs of any kind. The CUSTOMER'S exclusive remedy, in lieu of all incidental, special, or consequential damages including the case of negligence is limited to furnishing of another insulating glass unit as heretofore described in accordance with the following schedule:  
Year 1 through Year 10: RENAISSANCE CONSERVATORIES will supply replacement glass to Customer at no cost F.O.B. Leola, Pennsylvania.
- (8) In each and every case where a replacement insulating glass unit is supplied, the warranty on said unit will extend only for the balance of the original twenty (20) year period.

**(c) FRAMES & SASH WARRANTY -**

Unless otherwise stated in the specifications, RENAISSANCE CONSERVATORIES warrants the wood frames and wood sash to be manufactured in accordance with the dimensions and specifications supplied by the CUSTOMER on the Approved Shop Drawings, and to be free from defects in materials and workmanship in accordance with the following conditions and limitations:

- (1) RENAISSANCE CONSERVATORIES warrants any laminated sash to meet or exceed industry standards and warrants against bowing and warp for a period of two (2) years from the date of manufacture, and against de-lamination for a period of five (5) years from the date of manufacture.
- (2) This warranty is valid to the original CUSTOMER (end-user), and is transferable to any subsequent owners.
- (3) It is the CUSTOMER'S sole responsibility to properly apply and maintain an acceptable and effective seal and finish on the sash and the Lantern or Skylight frames in accordance with RENAISSANCE CONSERVATORIES' recommended "Final Finishing Instructions" which are prominently depicted on the Drawings, and/or attached to the product at the time of sale, attached to this Warranty, and online at [www.renaissanceconservatories.com](http://www.renaissanceconservatories.com).
- (4) Wood is subject to random variations in grain, texture, color, and other variations which are beyond the control of RENAISSANCE CONSERVATORIES, and these normal naturally-occurring variations are not defects, and are specifically excluded from any warranty coverage.
- (5) Bow or warp shall not be considered a defect unless it exceeds 1/4" in the plane of the sash.
- (6) Claims due to bowing or warp may be deferred for up to nine (9) months from date of claim in order to allow for conditioning and equalizing to humidity and temperature conditions.
- (7) RENAISSANCE CONSERVATORIES agrees to either replace, or at RENAISSANCE CONSERVATORIES' sole discretion, repair defective materials and/or workmanship.
- (8) RENAISSANCE CONSERVATORIES will not participate in or be responsible for any liability for any incidental, special, or consequential damages resulting from bowing or warp, de-lamination, or defects of any kind, and the CUSTOMER'S exclusive remedy is limited to furnishing replacement materials in the condition the materials were originally provided, and under no circumstances includes installation labor.

**(d) HARDWARE WARRANTIES -**

Sash operators and locks (excluding motors) are warranted by the hardware manufacturer's limited lifetime warranty, a copy of which is available on request. Additional products provided by RENAISSANCE CONSERVATORIES carry the manufacturers' pass-through warranties, copies of which are available on request.

CUSTOMER \_\_\_\_\_ Job No. \_\_\_\_\_ - \_\_\_\_\_ Date of Manufacture \_\_\_\_/\_\_\_\_/\_\_\_\_ Dwg. No. \_\_\_\_\_



LOOK TO  
**RENAISSANCE  
CONSERVATORIES**

YOUR TRUSTED SOURCE FOR ALL  
YOUR SPECIALTY GLAZING NEEDS

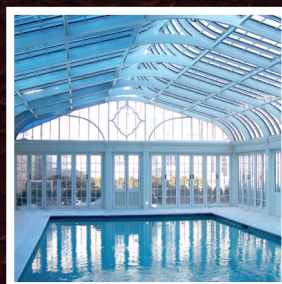
Fine Conservatories  
In The Classical Tradition

Magnificent Garden Windows

Estate Quality Horticultural Greenhouses

Sensational Commercial Enclosures

Luxurious Pool Enclosures



**RENAISSANCE CONSERVATORIES**

*132 Ashmore Drive, Leola, Pennsylvania 17540*

800.882.4657 717.661.7520 Fax 717.661.7727

[www.RenaissanceConservatories.com](http://www.RenaissanceConservatories.com)