

TYPICAL LANTERN CURB

DRAWINGS AND DIMENSIONS ARE
FOR ILLUSTRATION PURPOSES ONLY, AND ARE
NOT FOR CONSRTUCTION.



132 Ashmore Drive
Leola, Pennsylvania 17540
(717) 661-7520 Fax (717) 661-7727

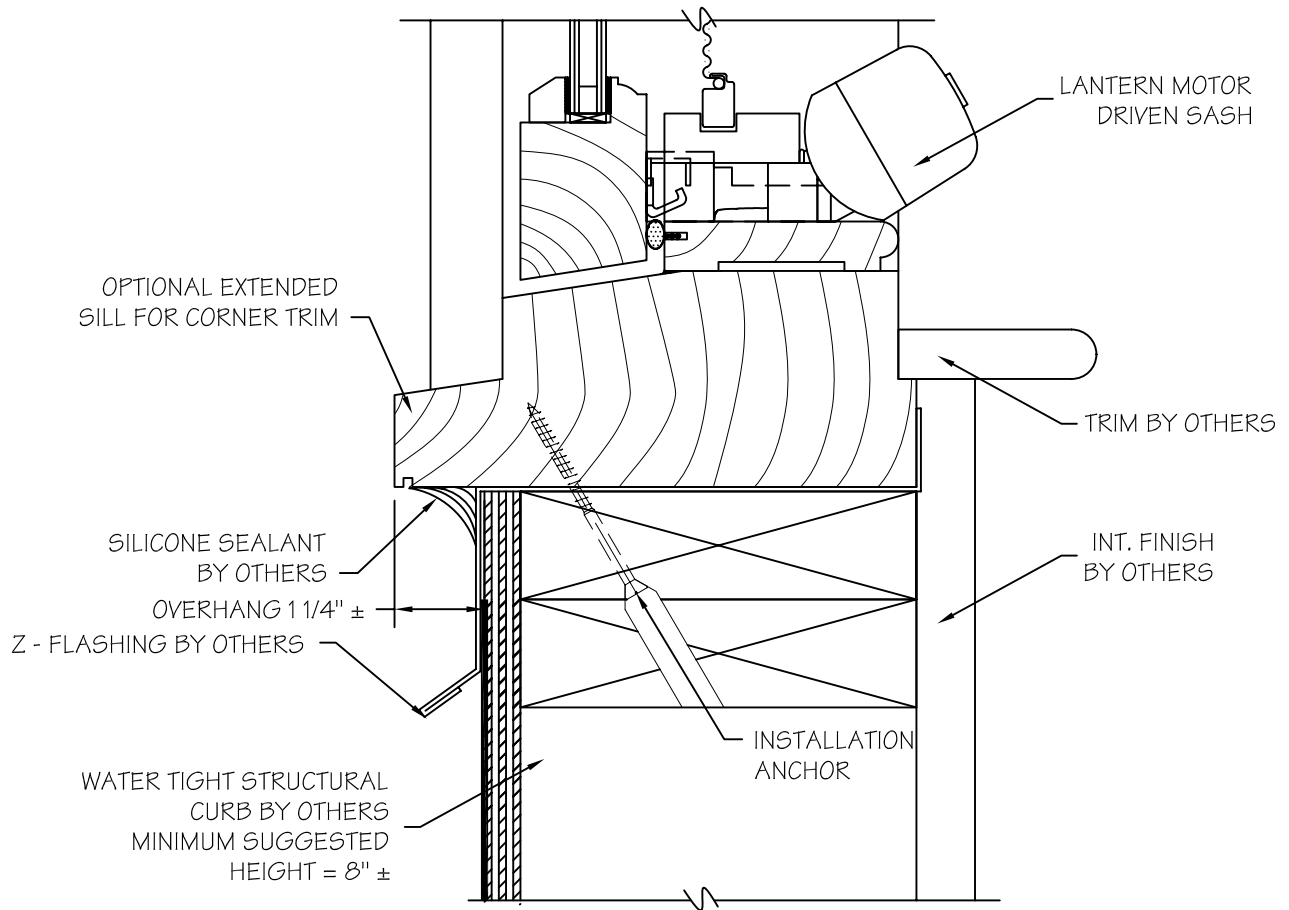
Scale: 3/8" = 1"

Page#:

Revision Date: 1-1-08

L1

File Name: Lantern Curb 1



TYPICAL LANTERN CURB
WITH EXTENED SILL



132 Ashmore Drive
 Leola, Pennsylvania 17540
 (717) 661-7520 Fax (717) 661-7727

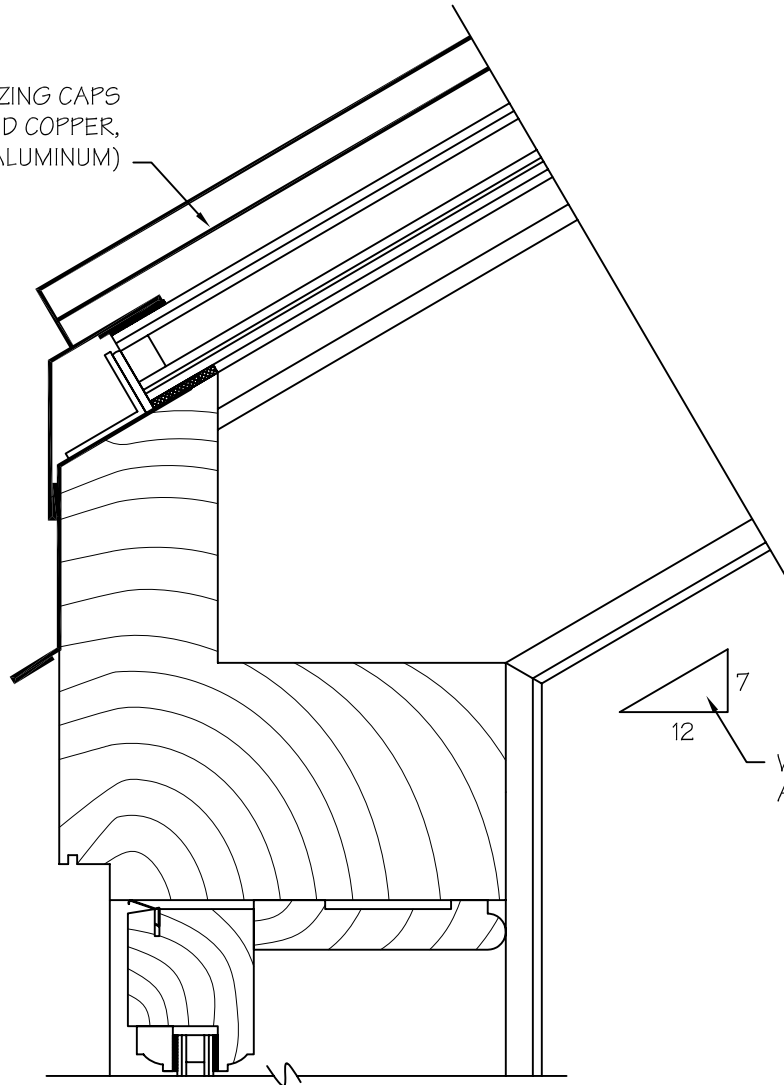
Scale: 3/8" = 1" Page#:

Revision Date: 1-1-08

L2

File Name: Lantern Curb 2

GLAZING CAPS
(COPPER, LEAD-COATED COPPER,
RHEINZINK, ALUMINUM)



7
12
VARIABLE PITCH
AS REQUIRED

TYPICAL LANTERN EAVES

DRAWINGS AND DIMENSIONS ARE
FOR ILLUSTRATION PURPOSES ONLY, AND ARE
NOT FOR CONSTRUCTION.



132 Ashmore Drive
Leola, Pennsylvania 17540
(717) 661-7520 Fax (717) 661-7727

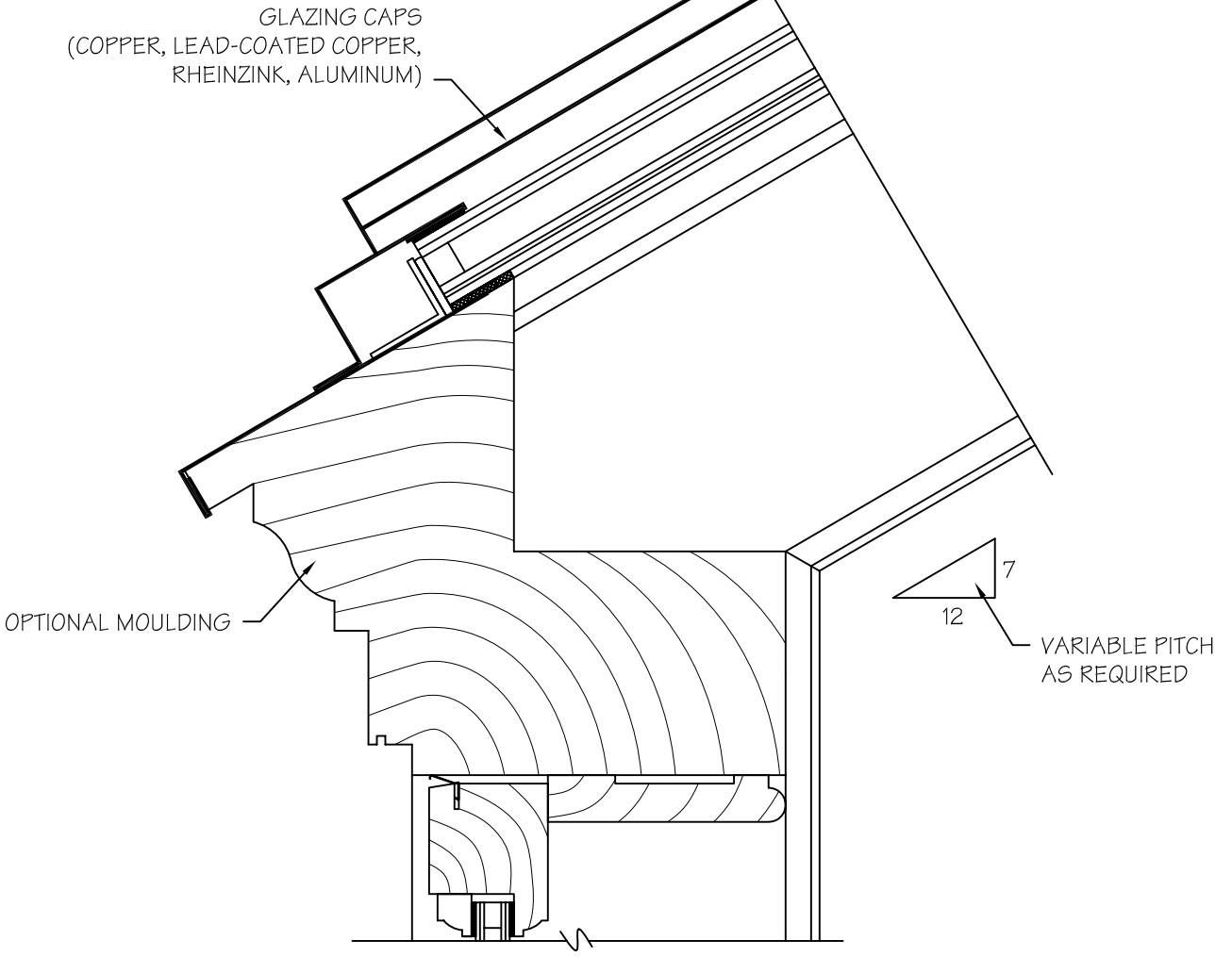
Scale: 3/8" = 1"

Page#:

Revision Date: 1-1-08

L3

File Name: Lantern Eaves 1



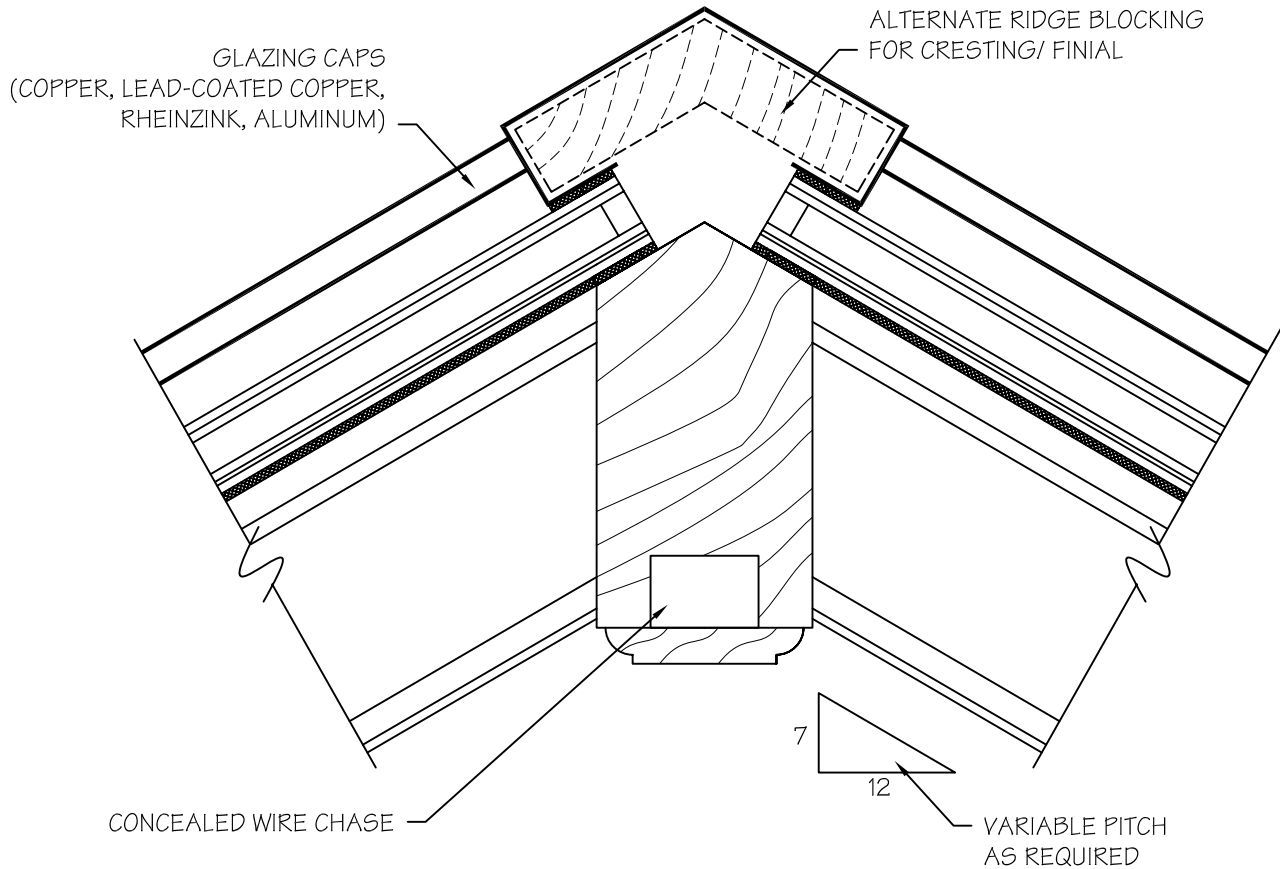
**TYPICAL LANTERN WITH
ARTICULATED EAVES**

DRAWINGS AND DIMENSIONS ARE
FOR ILLUSTRATION PURPOSES ONLY, AND ARE
NOT FOR CONSTRUCTION.



132 Ashmore Drive
Leola, Pennsylvania 17540
(717) 661-7520 Fax (717) 661-7727

Scale: 3/8" = 1"	Page#: L4
Revision Date: 1-1-08	
File Name: Lantern Eaves 2	



TYPICAL LANTERN RIDGE DETAIL

DRAWINGS AND DIMENSIONS ARE
FOR ILLUSTRATION PURPOSES ONLY, AND ARE
NOT FOR CONSRTUCTION.



132 Ashmore Drive
Leola, Pennsylvania 17540
(717) 661-7520 Fax (717) 661-7727

Scale: 3/8" = 1"

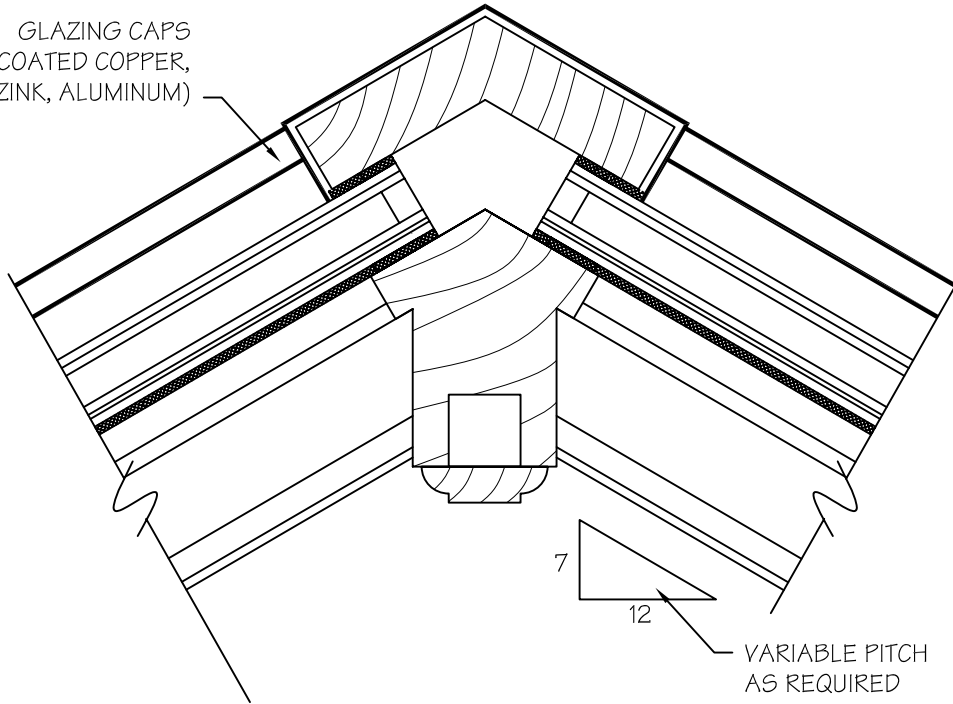
Page#:

Revision Date: 1-1-08

L5

File Name: Lantern Ridge

GLAZING CAPS
(COPPER, LEAD-COATED COPPER,
RHEINZINK, ALUMINUM)



TYPICAL LANTERN HIP

DRAWINGS AND DIMENSIONS ARE
FOR ILLUSTRATION PURPOSES ONLY, AND ARE
NOT FOR CONSTRUCTION.



132 Ashmore Drive
Leola, Pennsylvania 17540
(717) 661-7520 Fax (717) 661-7727

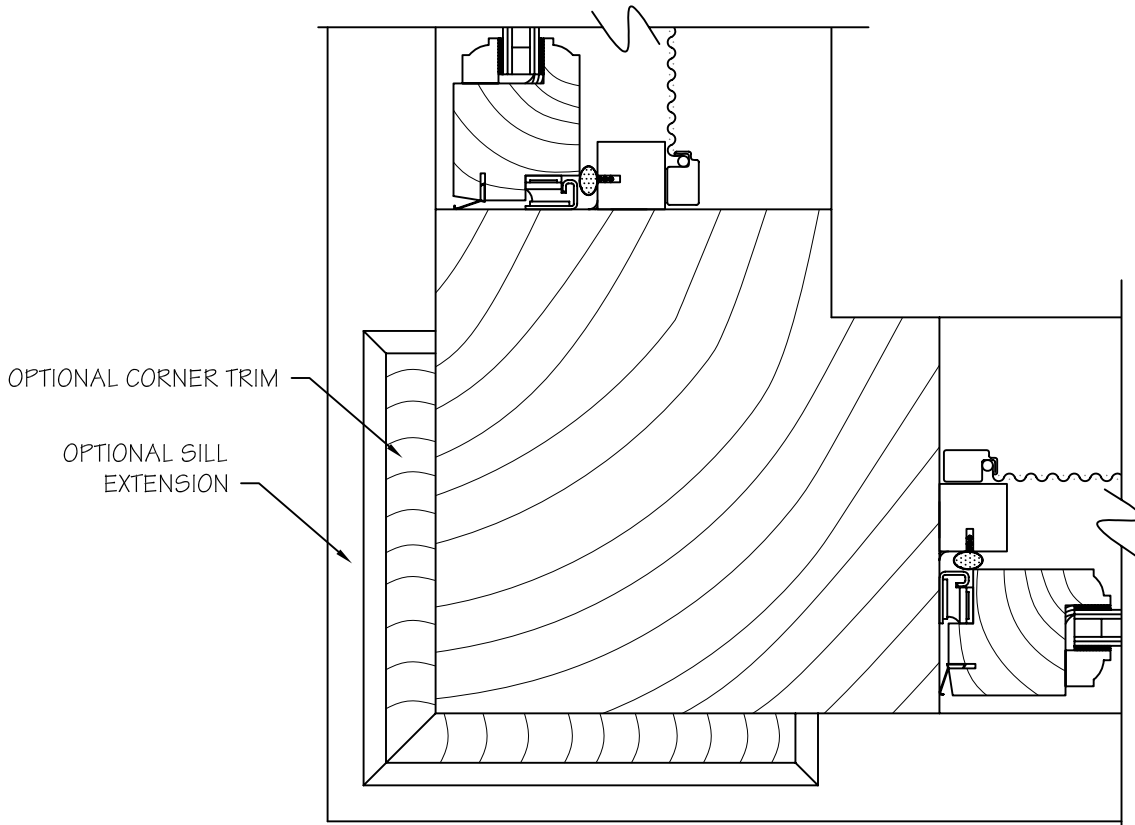
Scale: 3/8" = 1"

Page#:

Revision Date: 1-1-08

L6

File Name: Lantern Hip



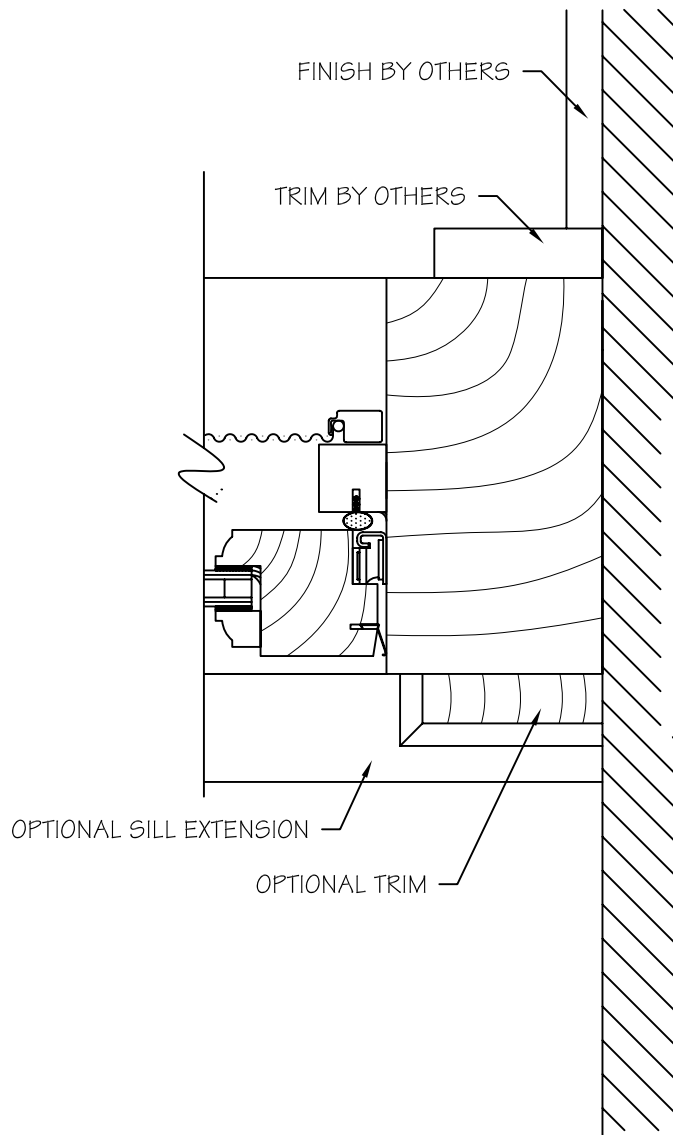
TYPICAL LANTERN CORNER DETAIL

DRAWINGS AND DIMENSIONS ARE
FOR ILLUSTRATION PURPOSES ONLY, AND ARE
NOT FOR CONSRTUCTION.



132 Ashmore Drive
Leola, Pennsylvania 17540
(717) 661-7520 Fax (717) 661-7727

Scale: 3/8" = 1"	Page#:
Revision Date: 1-1-08	L7
File Name: Lantern Corner	



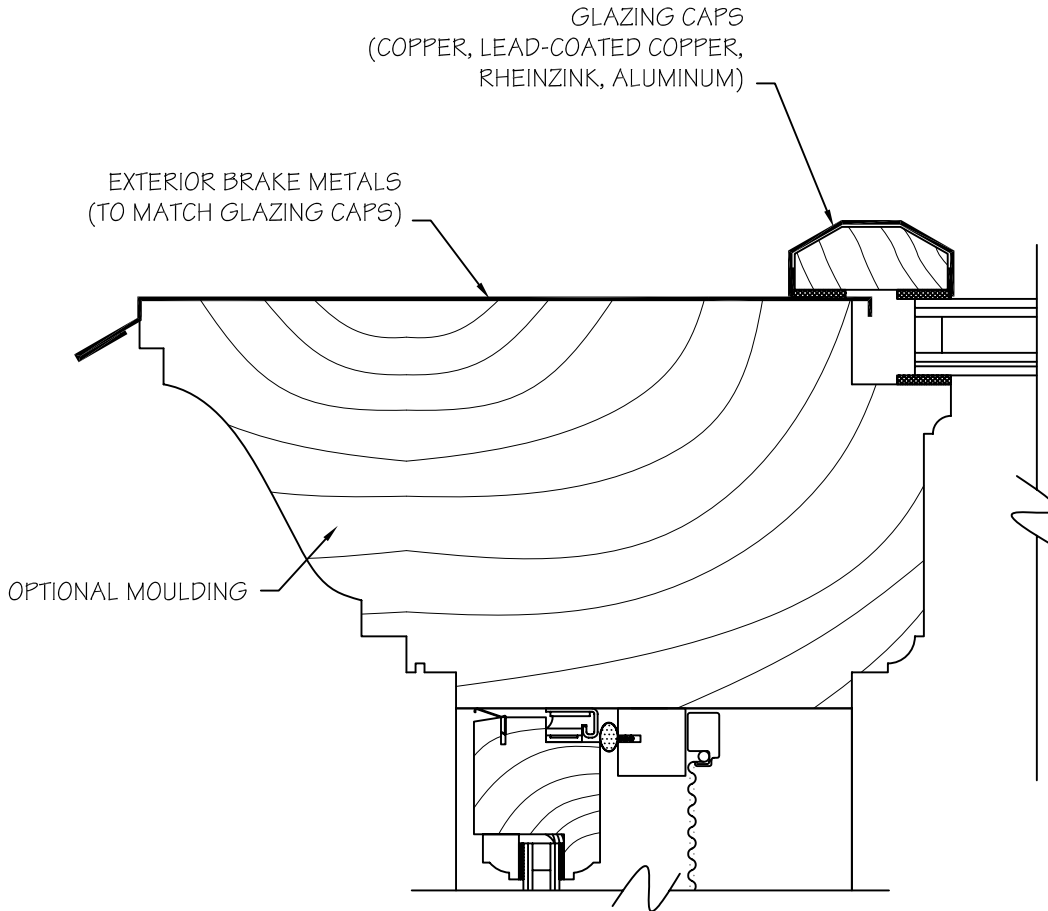
TYPICAL LANTERN CONNECTION
@ BUILDING WALL

DRAWINGS AND DIMENSIONS ARE
FOR ILLUSTRATION PURPOSES ONLY, AND ARE
NOT FOR CONSTRUCTION.



132 Ashmore Drive
Leola, Pennsylvania 17540
(717) 661-7520 Fax (717) 661-7727

Scale: 3/8" = 1"	Page#: L8
Revision Date: 1-1-08	
File Name: Lantern Connection	



TYPICAL LANTERN RAFTER
@ GABLE END

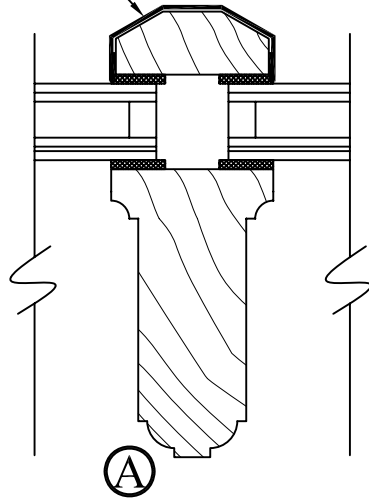
DRAWINGS AND DIMENSIONS ARE
FOR ILLUSTRATION PURPOSES ONLY, AND ARE
NOT FOR CONSTRUCTION.



132 Ashmore Drive
Leola, Pennsylvania 17540
(717) 661-7520 Fax (717) 661-7727

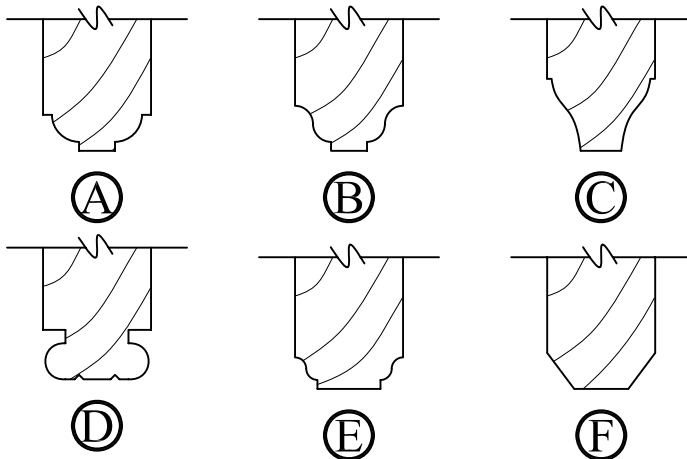
Scale: 3/8" = 1"	Page#: L9
Revision Date: 1-1-08	
File Name: Lantern Rake	

GLAZING CAPS
(COPPER, LEAD-COATED COPPER,
RHEINZINK, ALUMINUM)



TYPICAL RAFTER DETAIL

ALTERNATE RAFTER BOTTOM EDGE PROFILES



DRAWINGS AND DIMENSIONS ARE
FOR ILLUSTRATION PURPOSES ONLY, AND ARE
NOT FOR CONSTRUCTION.



132 Ashmore Drive
Leola, Pennsylvania 17540
(717) 661-7520 Fax (717) 661-7727

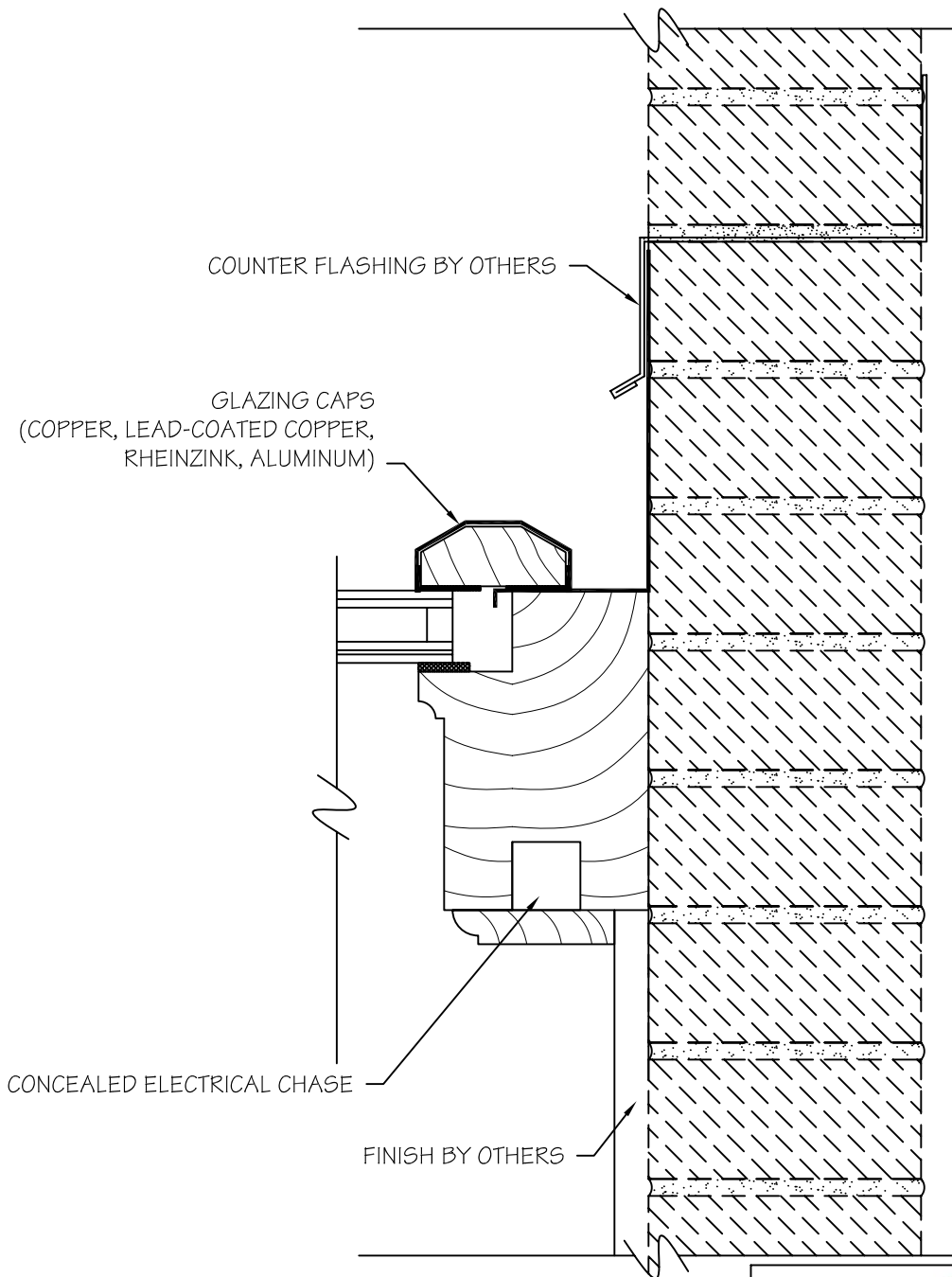
Scale: 3/8" = 1"

Page#:

Revision Date: 1-1-08

L10

File Name: Lantern Rafter



TYPICAL LANTERN RAFTER
@ BUILDING WALL

DRAWINGS AND DIMENSIONS ARE
 FOR ILLUSTRATION PURPOSES ONLY, AND ARE
 NOT FOR CONSRTUCTION.



132 Ashmore Drive
 Leola, Pennsylvania 17540
 (717) 661-7520 Fax (717) 661-7727

Scale: 3/8" = 1"	Page#:
Revision Date: 1-1-08	L11
File Name: Lantern Rafter 2	